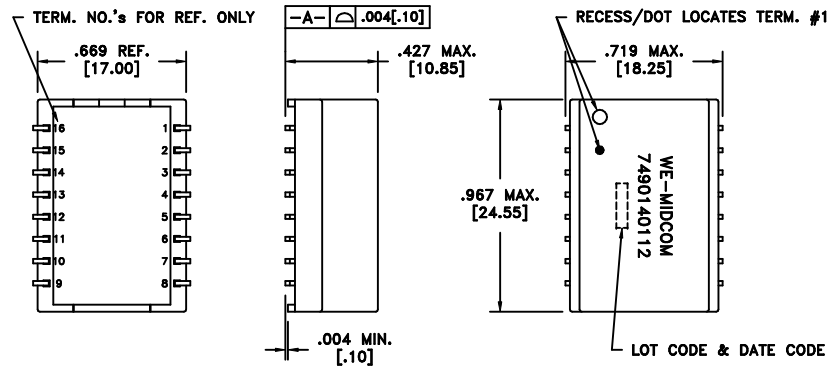
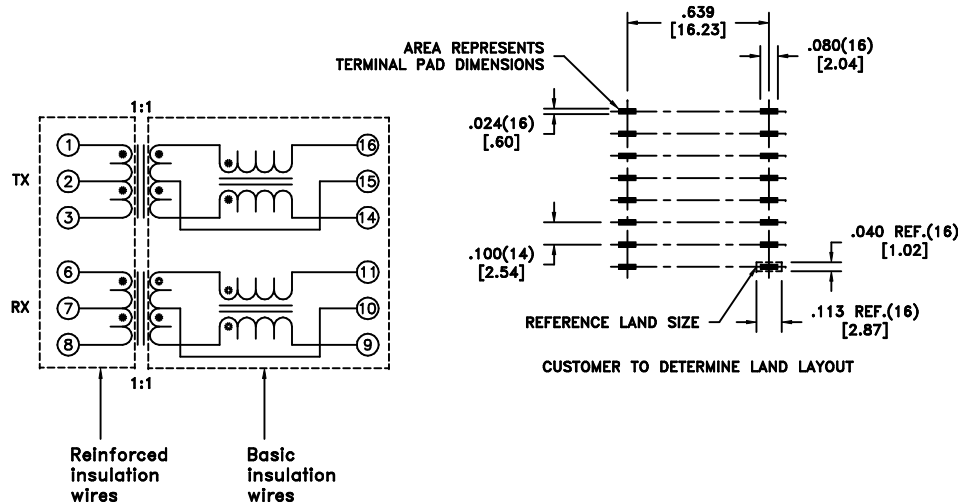


CUSTOMER TERMINAL	RoHS	LEAD(Pb)-FREE
Sn100%	Yes	Yes



ELECTRICAL SPECIFICATIONS @ 25°C unless otherwise noted:

PARAMETER	TEST CONDITIONS	VALUE	
INDUCTANCE	16-14	100kHz, 100mVAC, 8mADC, Lp	350uH min.
INDUCTANCE	11-9	100kHz, 100mVAC, 8mADC, Lp	350uH min.
DIELECTRIC	INPUT-OUTPUT	7200Vrms, 1 second	6000Vrms, 1 minute
TURNS RATIO		(1-3):(16-14)	1:1, ±2%
TURNS RATIO		(6-8):(11-9)	1:1, ±2%
INSERTION LOSS		100k - 100MHz	-1.5dB max.
CROSSTALK		1M - 100MHz	-40dB min.



GENERAL SPECIFICATIONS:

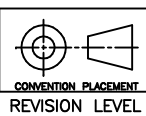
OPERATING TEMPERATURE RANGE: -40°C to +85°C.

COPLANARITY: All 16 terminals must lie on a plane within .004 [.10] of Surface A after lead tinning.

Design with 10mm creepage distance.

Design using Reinforced insulation wire on Primary side, and using Basic insulation wire on Secondary side.

REV.	DATE	Packaging Specifications
00	12/10	Method: Tape & Reel PKG-0670 www.we-online.com/midcom



Tolerances unless otherwise specified:
 Angles: ±1° Decimals: ±.005 [.13]
 Fractions: ±1/64 Footprint: ±.005 [.13]
 This drawing is dual dimensioned. Dimensions in brackets are in millimeters.

DRAWING TITLE
TRANSFORMER
 EDFP-J16
 eiSos p/n: 7490140112

PART NO.	7490140112
SPECIFICATION SHEET 1 OF 1	

