

CUSTOMER TERMINAL	RoHS	LEAD(Pb)-FREE
Sn96%, Ag4%	Yes	Yes

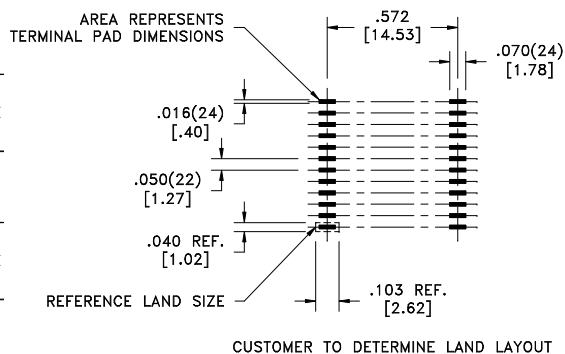
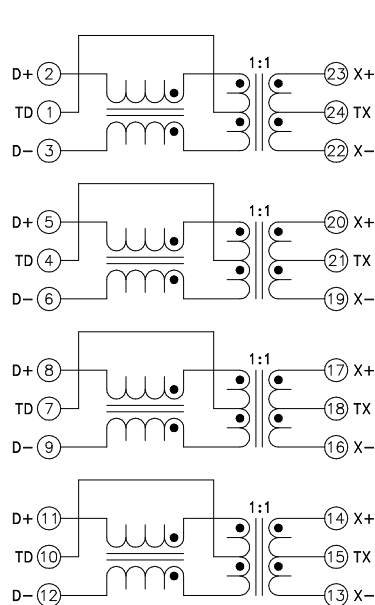
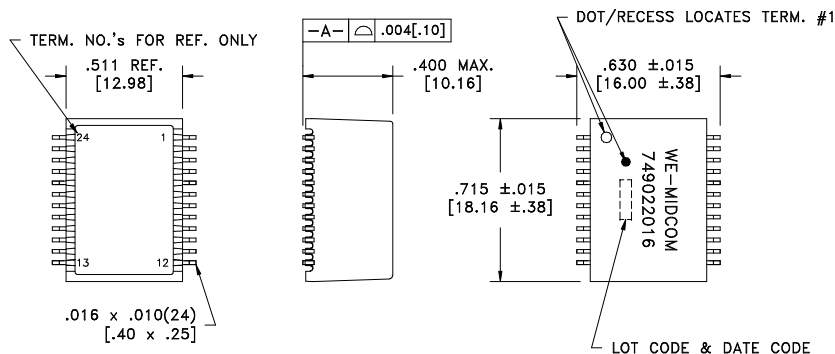
more than you expect



Midcom

ELECTRICAL SPECIFICATIONS @ 25°C unless otherwise noted:

PARAMETER	TEST CONDITIONS	VALUE
INDUCTANCE	23-22 100kHz, 100mVAC, 35mADC, Lp	350uH min.
INDUCTANCE	20-19 100kHz, 100mVAC, 35mADC, Lp	350uH min.
INDUCTANCE	17-16 100kHz, 100mVAC, 35mADC, Lp	350uH min.
INDUCTANCE	14-13 100kHz, 100mVAC, 35mADC, Lp	350uH min.
DIELECTRIC	1-24 tie(Output + Input), 1800Vrms, 1 second	1500Vrms, 1 minute
URNS RATIO	(2-3):(23-22)	1:1, ±2%
URNS RATIO	(5-6):(20-19)	1:1, ±2%
URNS RATIO	(8-9):(17-16)	1:1, ±2%
URNS RATIO	(11-12):(14-13)	1:1, ±2%
INSERTION LOSS	500k - 100MHz	-1.0dB max.
RETURN LOSS	500k - 40MHz	-16dB min.
RETURN LOSS	40M - 60MHz	-14dB min.
RETURN LOSS	60M - 80MHz	-12dB min.
RETURN LOSS	80M - 100MHz	-10dB min.
CROSSTALK	1M - 100MHz	-28dB min.
CMRR	500k - 32MHz	-42dB min.
CMRR	32M - 100MHz	-33dB min.



GENERAL SPECIFICATIONS:

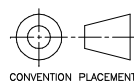
OPERATING TEMPERATURE RANGE: 0°C to +70°C.

COPLANARITY: All 24 terminals must lie on a plane within .004 [.10] of Surface A after lead tinning.

Designed for increased PoE+ requirement, 1.15A current capability.

Full rated operating current of 1.15A through each center tap will cause a temp rise of 25°C. Inductance value at 70°C to 95°C is 300uH min.

REV.	DATE	Packaging Specifications Method: <b>Tape &amp; Reel</b> PKG-0716 www.we-online.com/midcom
6A	3/11	SEE REVISION SHEET FOR REVISION LEVEL



CONVENTION PLACEMENT

Tolerances unless otherwise specified:  
Angles: ±1°      Decimals: ±.010 [.25]  
Fractions: ±1/64      Footprint: ±.005 [.13]

This drawing is dual dimensioned. Dimensions in brackets are in millimeters.

DRAWING TITLE

**TRANSFORMER**  
AEDFP-G24 PoE+

eiSos p/n: 749022016

PART NO.

**749022016**



SPECIFICATION SHEET 1 OF 1