

THIS DRAWING IS UNPUBLISHED.

RELEASED FOR PUBLICATION JAN , 2006.

REVISIONS

© COPYRIGHT 2006 By -

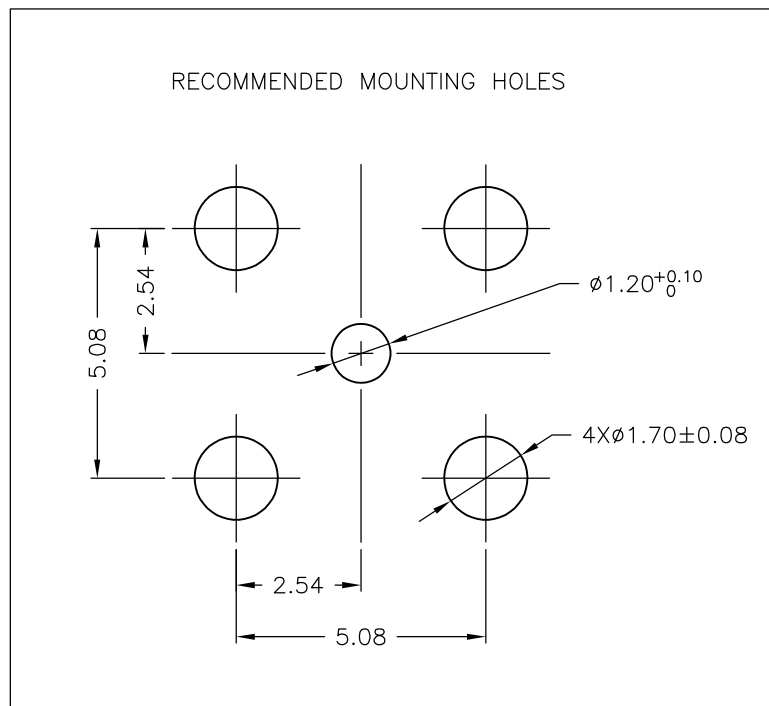
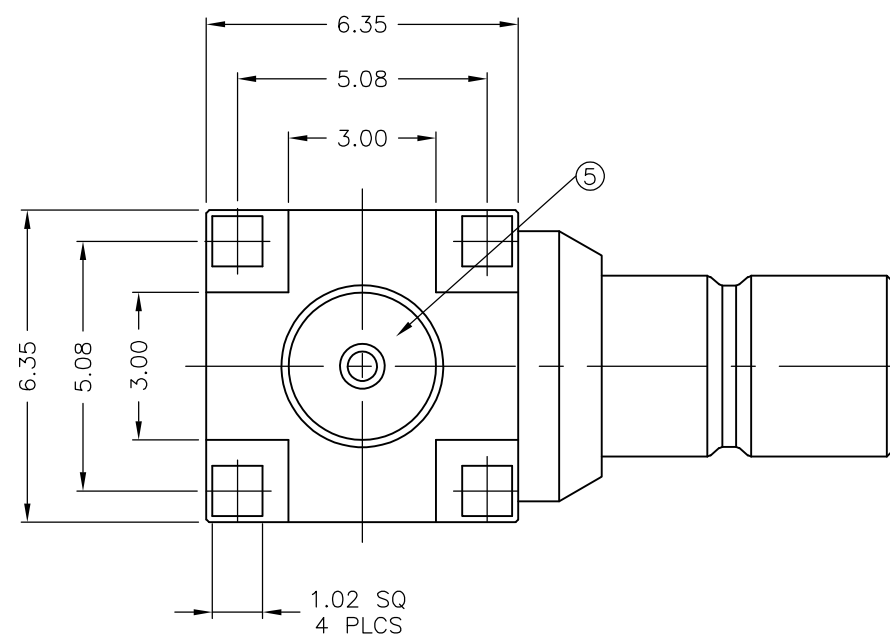
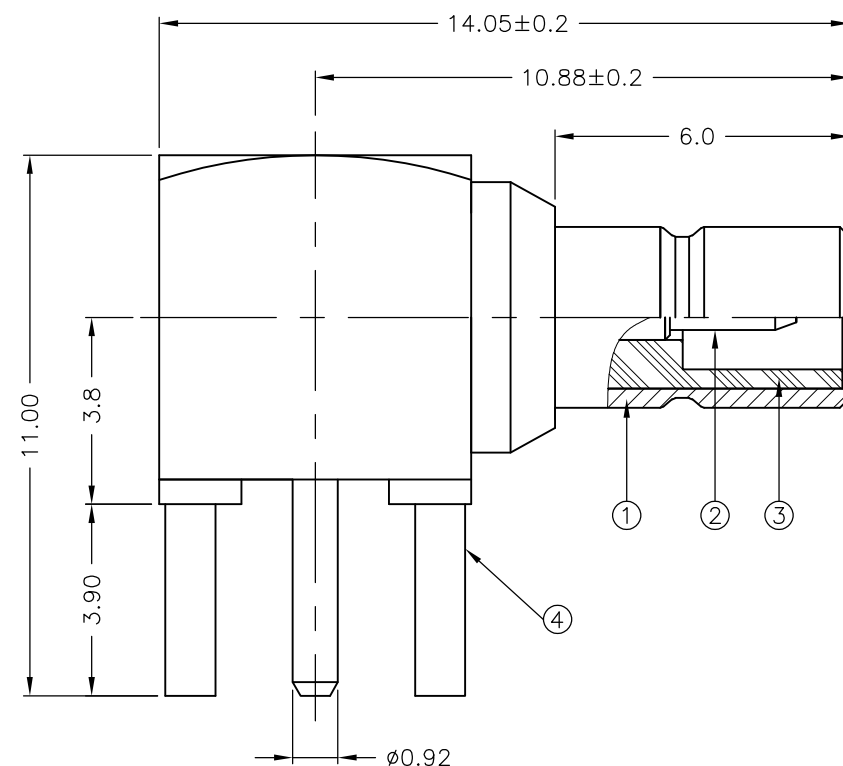
ALL RIGHTS RESERVED.

TODOS LOS DERECHOS RESERVADOS.

P	LTR	DESCRIPTION	DATE	DWN	APVD
	F	PER ECR-15-006368	05MAY05	RZ	MC

NOTES:

- ① SINGLE PACKING: ONE CONNECTOR PER LABELED BAG PACKAGED. LABELED PER TEC-107-115
- ② TRAY PACKAGED
- ③ Au PLATING
- 4 ELECTRICAL CHARACTERISTICS
 FREQUENCY RANGE: DC - 4 GHz
 NOMINAL IMPEDANCE: 50 Ohm
 INSULATION RESISTANCE: 1000 MOhm
 WORKING VOLTAGE: 250 Volts RMS at Sea Level
 DIELECTRIC WITHSTAND VOLTAGE: 750 Volts RMS Max
 CONTACT RESISTANCE:
 CENTER CONTACT: 6.00 mOhm Max
 OUTER CONTACT: 1.00 mOhm Max
- 5 MECHANICAL CHARACTERISTICS
 DURABILITY: 500 Cycles Min
- 6 ENVIRONMENTAL CHARACTERISTICS
 OPERATING TEMPERATURE: -65 to +165 DegC
- 7 FOR TECHNICAL DATA REFER TO YOUR LOCAL TE CONNECTIVITY SALES OFFICE
- 8 ALL DIMENSIONS ARE NOMINAL FOR REFERENCE ONLY UNLESS OTHERWISE STATED



QTY	QTY PER ASSY	MATERIAL	DESCRIPTION	ITEM
1	1	PTFE	INSULATION	5
1	1	BRASS	BODY	4
1	1	PTFE	INSULATION	3
1	1	BRASS	CONTACT	2
1	1	BRASS	BODY	1
6--0	1--0			

THIS DRAWING IS A CONTROLLED DOCUMENT.		DWN	J.SANDWELL	12JAN06
DIMENSIONS: mm		CHK	S.PARLOW	12JAN06
TOLERANCES UNLESS OTHERWISE SPECIFIED:		APVD	F.WHEELER-KING	12JAN06
0 PLC ± -		NAME		
1 PLC ± 0.2		SMB ELBOW PCB SOCKET 50 OHM		
2 PLC ± 0.15		SIZE		
3 PLC ± 0.1		CAGE CODE		
4 PLC ± -		DRAWING NO		
ANGLES ± 5°		RESTRICTED TO		
MATERIAL SEE TABLE		FINISH -		
		WEIGHT -		
		UNIQUEMENT		
		SCALE		
		SHEET		
		1 OF 1		
		REV F		