



SPECIFICATIONS SHEET

PRODUCT TYPE : PIEZO BUZZER

PRODUCT SERIES : DB-E1938

DESCRIPTION : PZ BUZZER SINGLE 9VDC 135mmLL "UL1007 AWG28"

PBT RoHS

COLOR : BLACK

ELECTRICAL SPECIFICATIONS

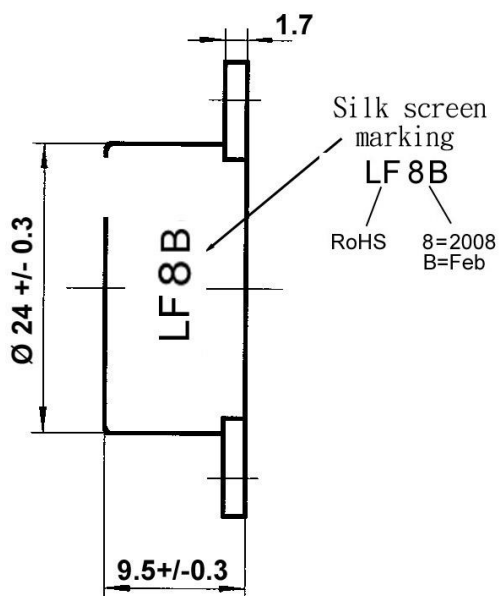
MODEL NO.	193S3090LFLH
OPERATING VOLTAGE RANGE (VDC)	3 ~ 20
RATED VOLTAGE (VDC)	9
* MAX. RATED CURRENT (mA)	10
* MIN. SOUND OUTPUT (dBA/ 30 cm)	82
* FREQUENCY (Hz)	3400 ± 500
TONE NATURE	SINGLE
OPERATING TEMPERATURE (°C)	- 20 ~ +65
TERMINAL	UL1007 , AWG#28
HOUSING MATERIAL	PBT
WEIGHT (g)	4.0

* Value applying at rated voltage

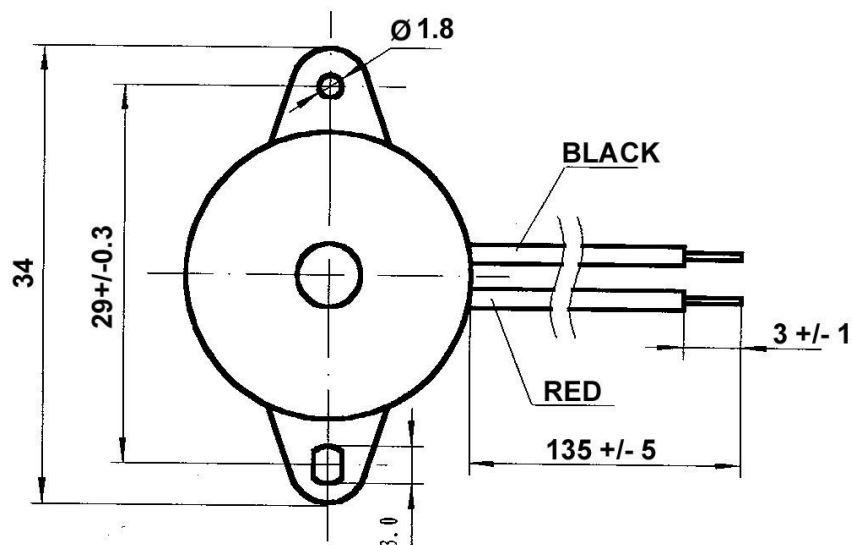
DIMENSIONS

UNIT : mm

SIDE VIEW



TOP VIEW



Approved By : 
Date : 26-Jun-2008

Prepared By : 
Date : 26-Jun-2008

Modify :	Date :	By :
Label marking change to silk screen	26-Jun-08	hoyin