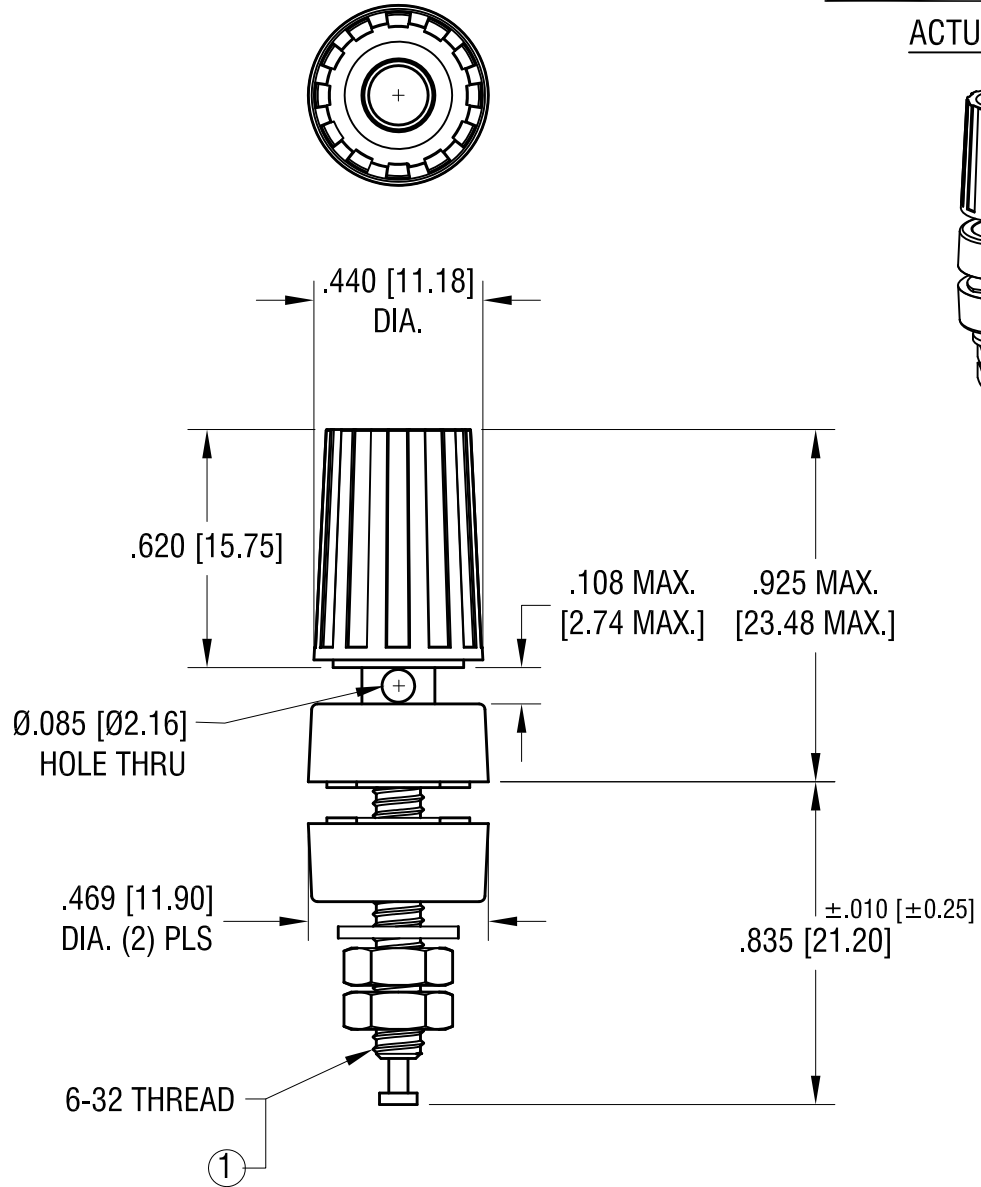


THIS DOCUMENT IS THE PROPERTY OF
KEYSTONE ELECTRONICS CORP. AND
SHALL NOT BE REPRODUCED, DISTRIBUTED
OR USED AS A BASIS FOR MANUFACTURE
WITHOUT PRIOR WRITTEN PERMISSION
FROM KEYSTONE ELECTRONICS CORP.

ACTUAL SIZE



NOTES:

- 1. STUD : MAT'L - BRASS, GOLD, OVER NICKEL PLATE
- 2. INSULATOR: MAT'L - NYLON

P/N	TH'D	COLOR
7012	6-32	RED
7013	6-32	BLACK

9.10.12	ECN 12-146 REDRAWN IN CAD	B
10.01.88	① WAS 8-32	A
DATE	DESCRIPTION	REV.

KEYSTONE ELECTRONICS CORP.			
www.keyelco.com • ASTORIA, N.Y. 11105-2017 • Tel (718) 956-8900			
PART NAME		BINDING POST	
MATERIAL		AS NOTED	
FINISH		AS NOTED	
DRN BY	LN	DATE	1.3.83
APP'D	LN	SCALE	2X
TOLERANCES	INCH [MM]	CODE	DWG NO.
DECIMAL	± .005 [± 0.13]	C/M	7012 - 7013
ANGULAR	± 1°		
UNLESS OTHERWISE SPECIFIED			