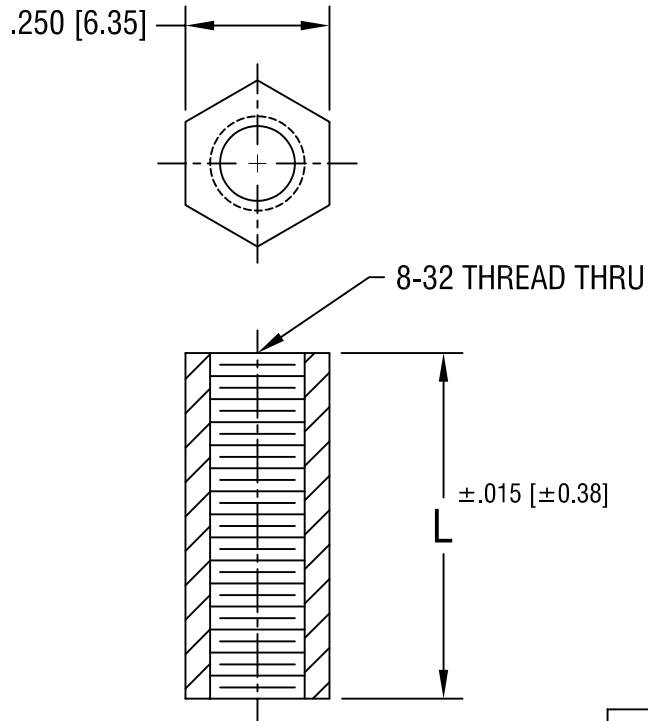


THIS DOCUMENT IS THE PROPERTY OF KEYSTONE ELECTRONICS CORP. AND SHALL NOT BE REPRODUCED, DISTRIBUTED OR USED AS A BASIS FOR MANUFACTURE WITHOUT PRIOR WRITTEN PERMISSION FROM KEYSTONE ELECTRONICS CORP.



| PART NO. | 'L' DIM. |
|----------|--------------|
| 1904A | .250 [6.35] |
| 1904B | .375 [9.52] |
| 1904C | .500 [12.70] |
| 1904F | .625 [15.87] |
| 1904D | .750 [19.05] |
| 1904G | .875 [22.22] |
| 1904E | 1.000 [25.4] |

| | | | |
|-----------------------------------|-----------------|--------|--------------|
| KEYSTONE ELECTRONICS CORP. | | | |
| ASTORIA, N.Y. 11105-2017 | | | |
| PART NAME | | | |
| HEX THREADED STANDOFF | | | |
| MATERIAL | | | |
| NYLON 6/6 | | | |
| FINISH | | DRN BY | DATE |
| - | | BOONE | 7.28.82 |
| | | APPD | SCALE |
| | | | 3X |
| TOLERANCES | INCH [MM] | CODE | DWG NO. |
| DECIMAL | ± .005 [± 0.15] | C/M | 1904- |
| ANGULAR | ± 1° | | |
| UNLESS OTHERWISE SPECIFIED | | | |

| | | |
|--------|----------------------------|------|
| 5.5.93 | ADDED P/NS 1904-F & 1904-G | A |
| DATE | DESCRIPTION | REV. |