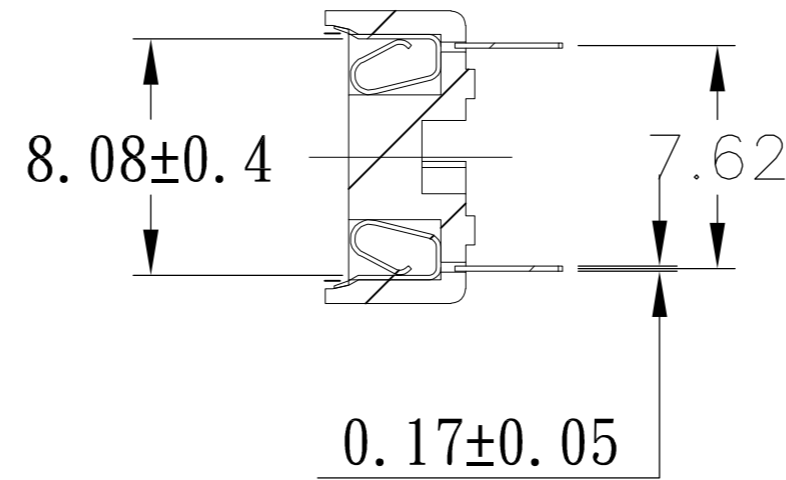
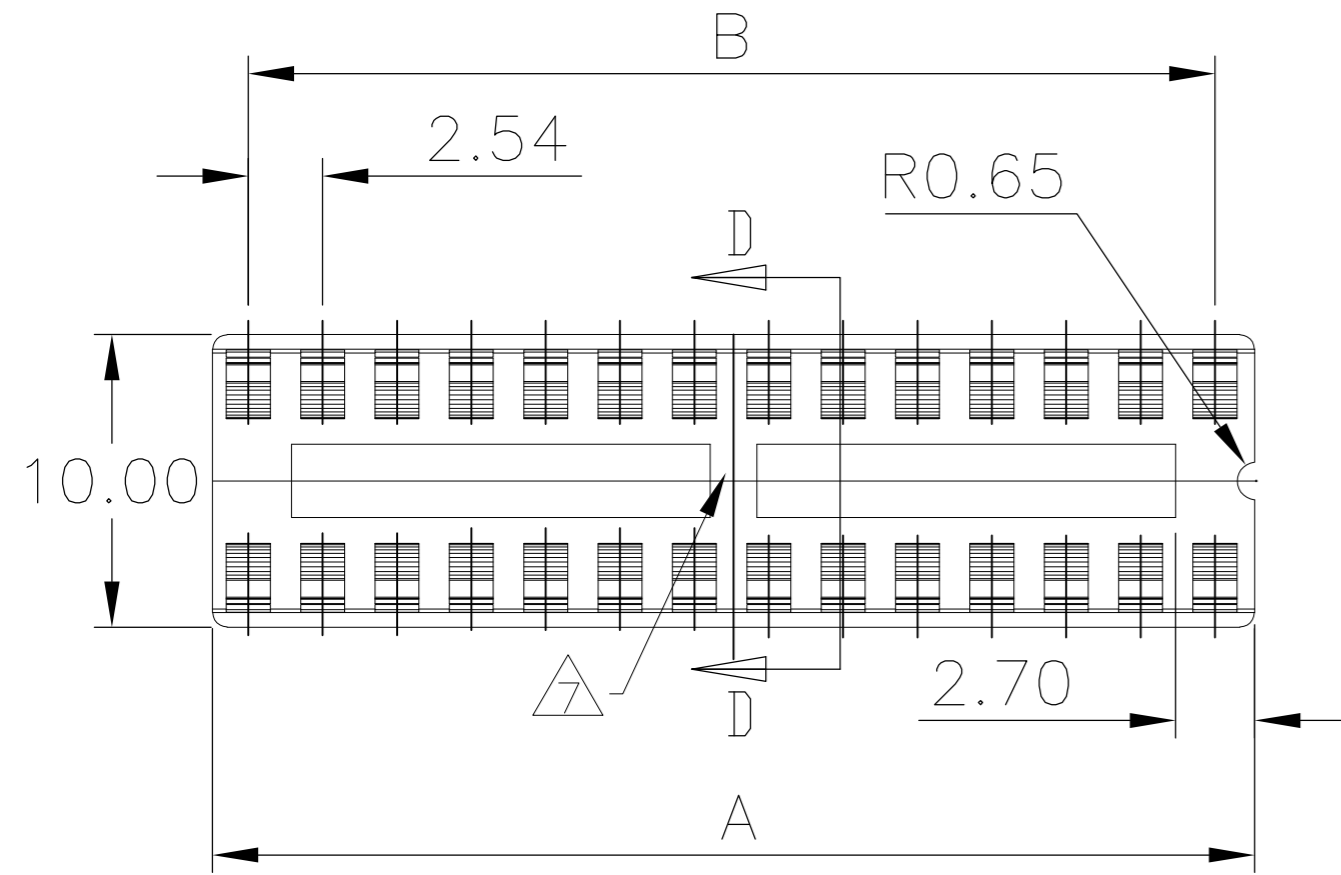


THIS DRAWING IS UNPUBLISHED. RELEASED FOR PUBLICATION
 © COPYRIGHT - By - ALL RIGHTS RESERVED.

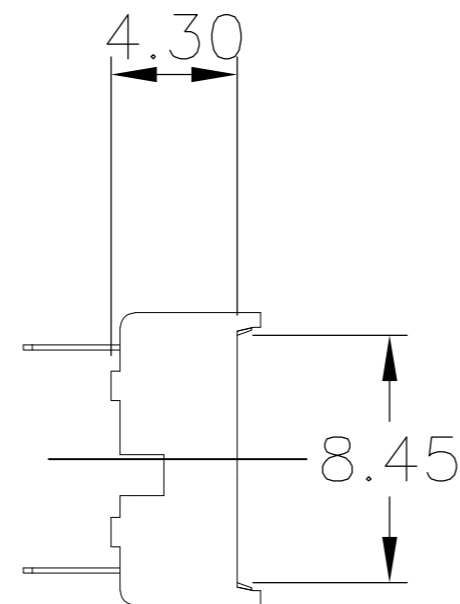
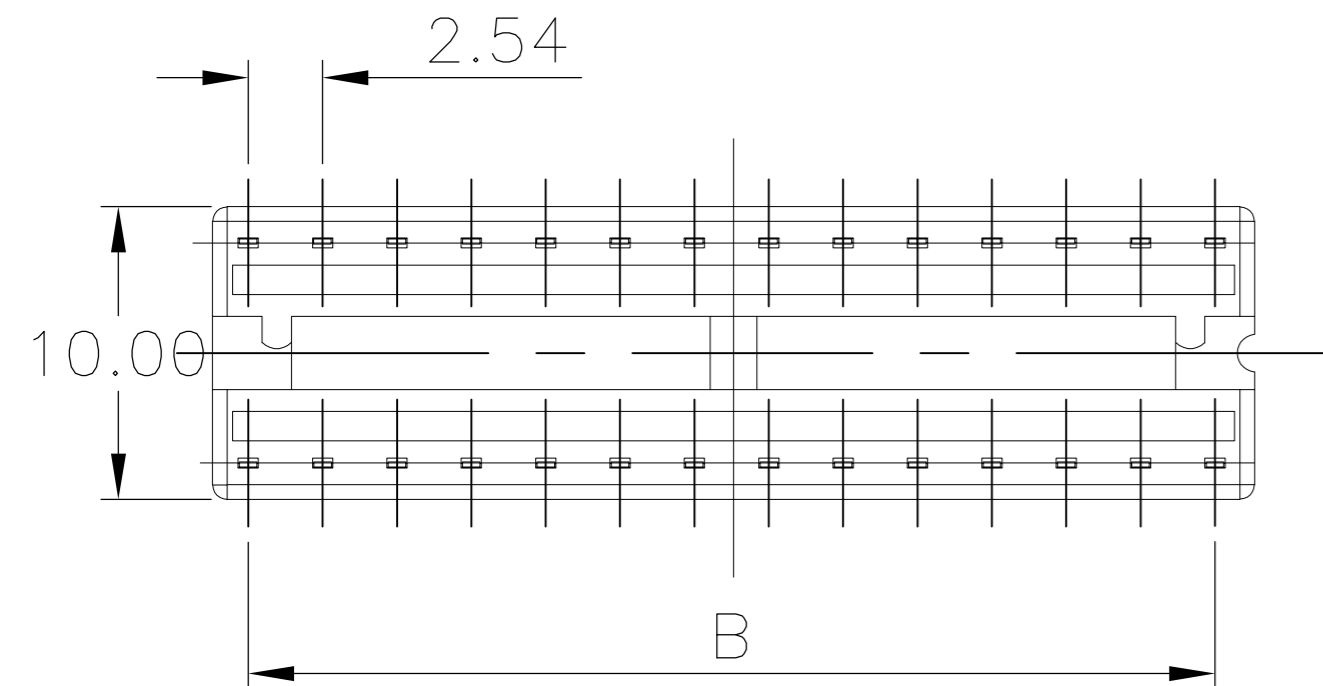
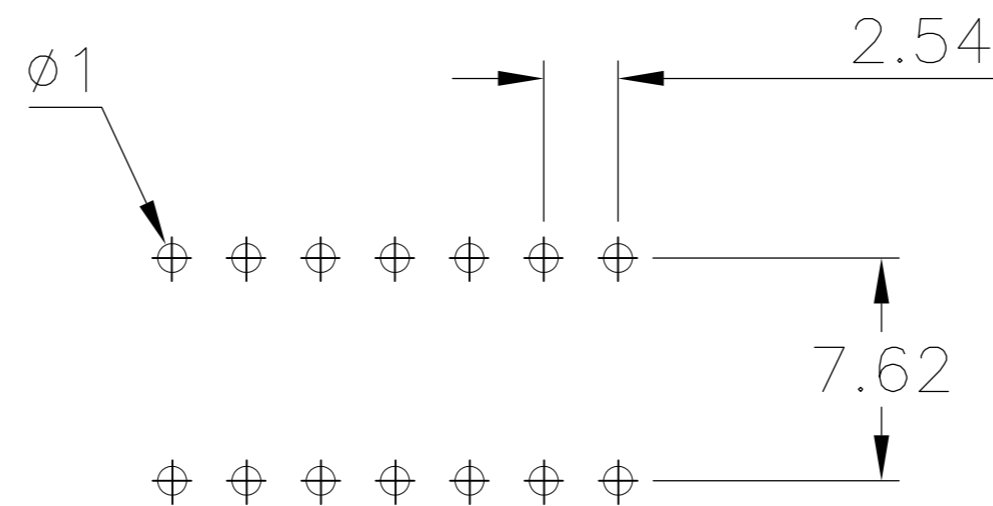
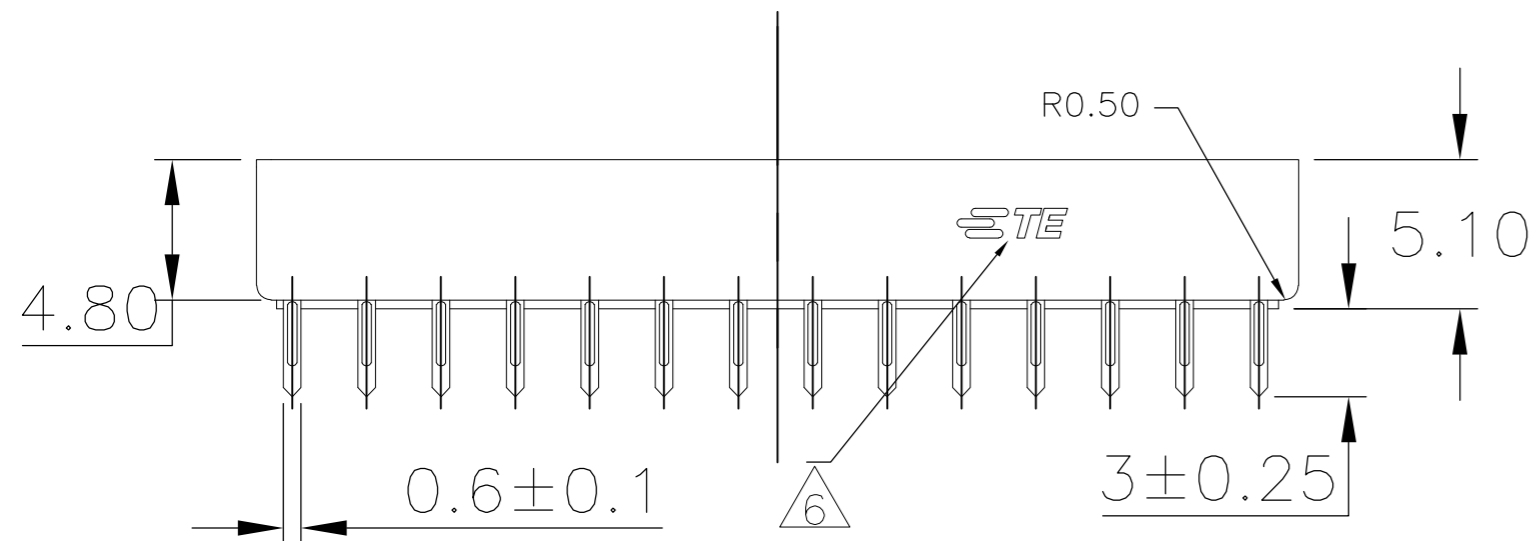
LOC		DIST		REVISIONS			
P	LTR	DESCRIPTION		DATE	DWN	APVD	
AD	0	A	RELEASED	18NOV13	W.W	C.W	

NOTE:

- 1 MATERIAL:
HOUSING: 30% GLASS FILLED PBT, THERMOPLASTIC, BLACK.
CONTACT: PHOS BRONZE
- 2 FINISH: CONTACT PLATING TIN (LEAD FREE); 60 UIN MIN. OVER 30 UIN Ni
SOLDERABILITY :95% COVERAGE MIN.;
WORKING CONDITION:230°±5°C MAX;
- 3. MECHANICAL SPECS:
DURABILITY: 50 CYCLES MIN.
INSERTION FORCE:300 GRAMS MAX.
WITHDRAWAL FORCE: 20 GRAMS MIN.
CONTACT RETENTION: 500 GRAMS MIN.
ACCEPTS: 0.20-0.30 [.008-.012] LEADS
- 4. ELECTRICAL SPECS:
VOLTAGE RATING: 250V AC,DC
CONTACT RESISTANCE: 20 MILLOHMS MAX.
CURRENT RATING: 1 AMPERE AC,DC
INSULATION RESISTANCE: 1000 MEGOHMS MIN.
DIELECTRIC WITHSTANDING VOLTAGE: AC 1000 V MIN.
- 5. OPERATING TEMPERATURE: -40°C TO +105°C
- 6 TE LOGO
- 7 LADDER PRESENT FOR 24, 28 & 32 POSITION SOCKETS.



SECTION D-D



FINISH	POS	A ±0.20	B±0.15	PART NO.
2	28	35.56	33.02	1-2199298-9
2	24	30.48	27.94	1-2199298-8
2	20	25.40	22.86	1-2199298-6
2	18	22.86	20.32	1-2199298-5
2	16	20.32	17.78	1-2199298-4
2	14	17.78	15.24	1-2199298-3
2	8	10.16	7.62	1-2199298-2
2	6	7.62	5.08	1-2199298-1

THIS DRAWING IS A CONTROLLED DOCUMENT.		DWN WINNG WANG 18NOV2013	STE TE Connectivity	
DIMENSIONS: mm		CHK SOMIN LI 18NOV2013		
TOLERANCES UNLESS OTHERWISE SPECIFIED:		APVD COREL WANG 18NOV2013	NAME	
0 PLC ± -		PRODUCT SPEC	DIP SOCKET, .300 CENTER LINE LADDER STYLE	
1 PLC ± -		APPLICATION SPEC	SIZE A2	CAGE CODE 00779
2 PLC ± 0.2 [.008]		WEIGHT -	DRAWING NO C=2199298	RESTRICTED TO -
3 PLC ± -		CUSTOMER DRAWING	SCALE 4:1	SHEET 1 of 1
4 PLC ± -			REV A	
ANGLES ± -				
FINISH				