

WIZ550S2E Datasheet

Overview

This page provides information about the hardware of WIZ550S2E and its RS232 and RS422/485 Interface board and includes the following information.

- Basic Hardware Specification
- Operating Characteristics
- Reference Schematics
- Dimension information of modules

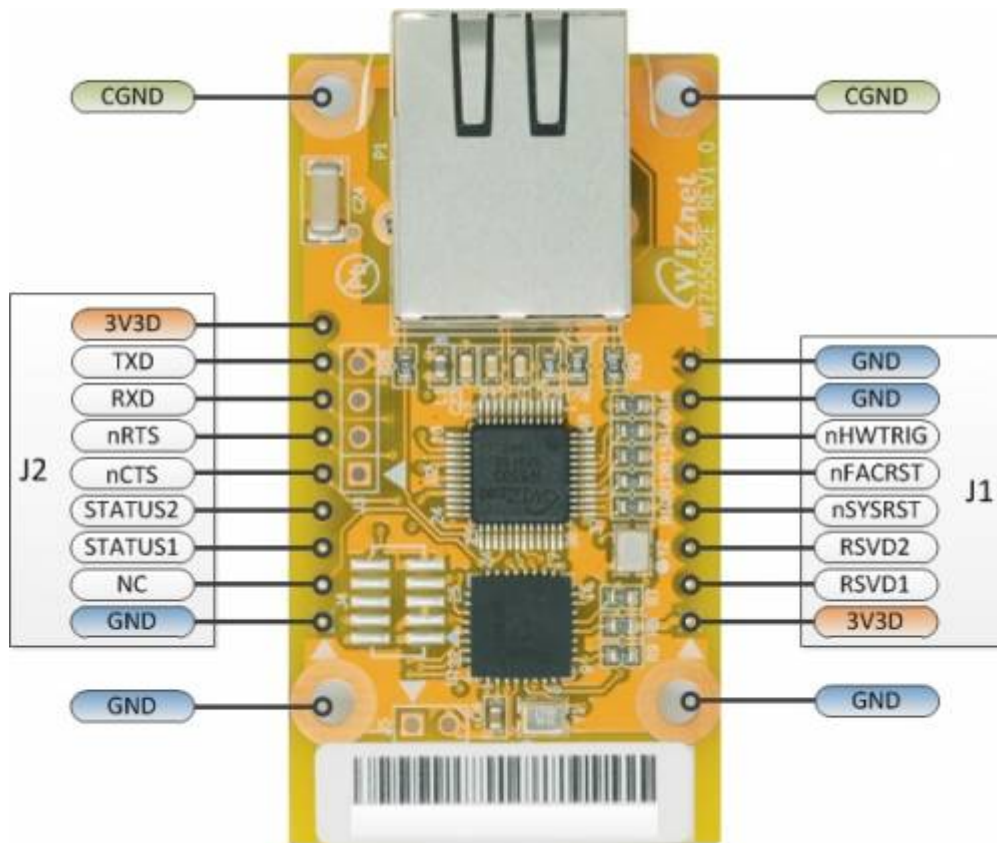
The revision history will be updated in this page in case of any changes of hardware specification or exterior design.

2014/07/29 08:57 · [jameskim](#)

Hardware Specification

WIZ550S2E

- MCU LPC11E36FHN33
- TCP/IP Controller W5500
- RJ45(Integrated Transformer)
- 2.54mm Header x2

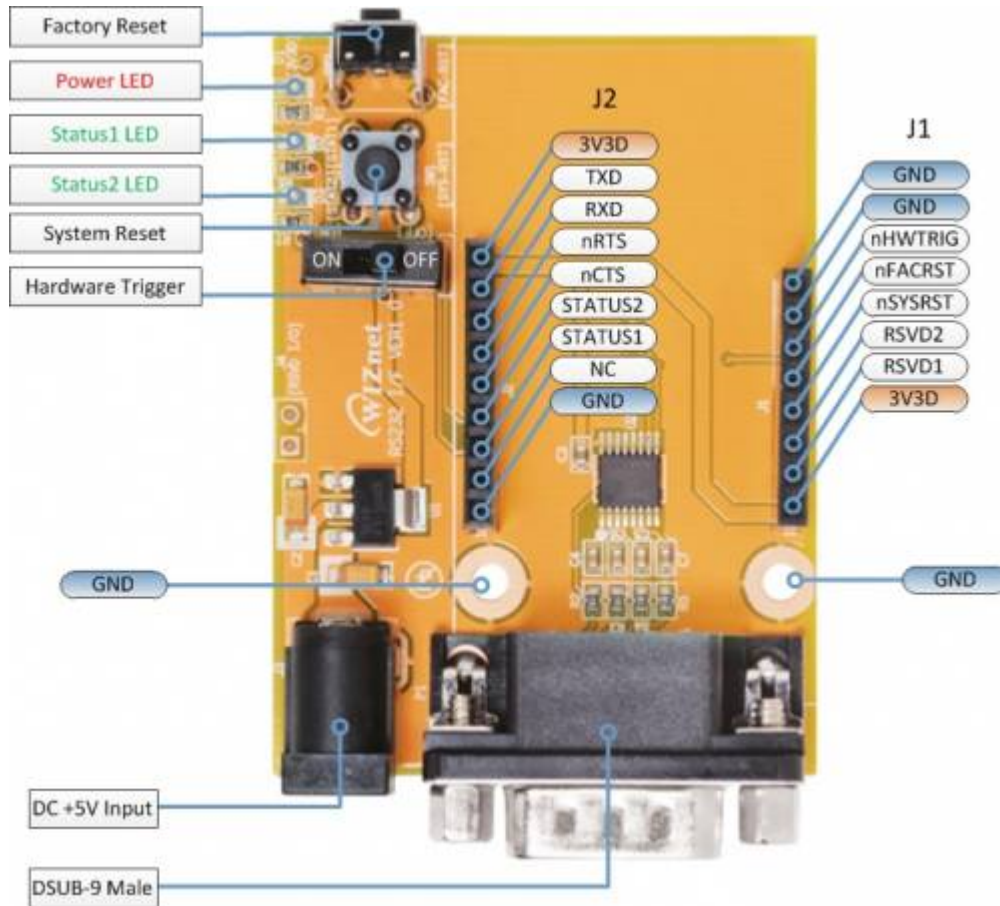


Pin Description

Ref No.	Pin No.	Symbol	Type	Description
J1	1	3V3D	P	Supply DC+3.3V
	2	RSVD1	I/O	Reserved I/O
	3	RSVD2	I/O	Reserved I/O
	4	nSYSRST	I	System reset input. Active Low.
	5	nFACRST	I	Factory reset input. Active Low.
	6	nHWTRIG	I	Hardware Trigger input Active Low.
	7	GND	P	Power Ground
	8	GND	P	Power Ground
Ref No.	Pin No.	Symbol	Type	Description
J2	1	GND	P	Power Ground
	2	NC	-	No connection
	3	STATUS1	O	Output for LED Display
	4	STATUS2	O	Output for LED Display
	5	nCTS	I	Clear To Send input for UART
	6	nRTS	O	Request To Send output for UART. This pin also serves as the RS485 control.
	7	RXD	I	Receiver input for UART
	8	TXD	O	Transmitter output for UART
	9	3V3D	P	Supply DC+3.3V

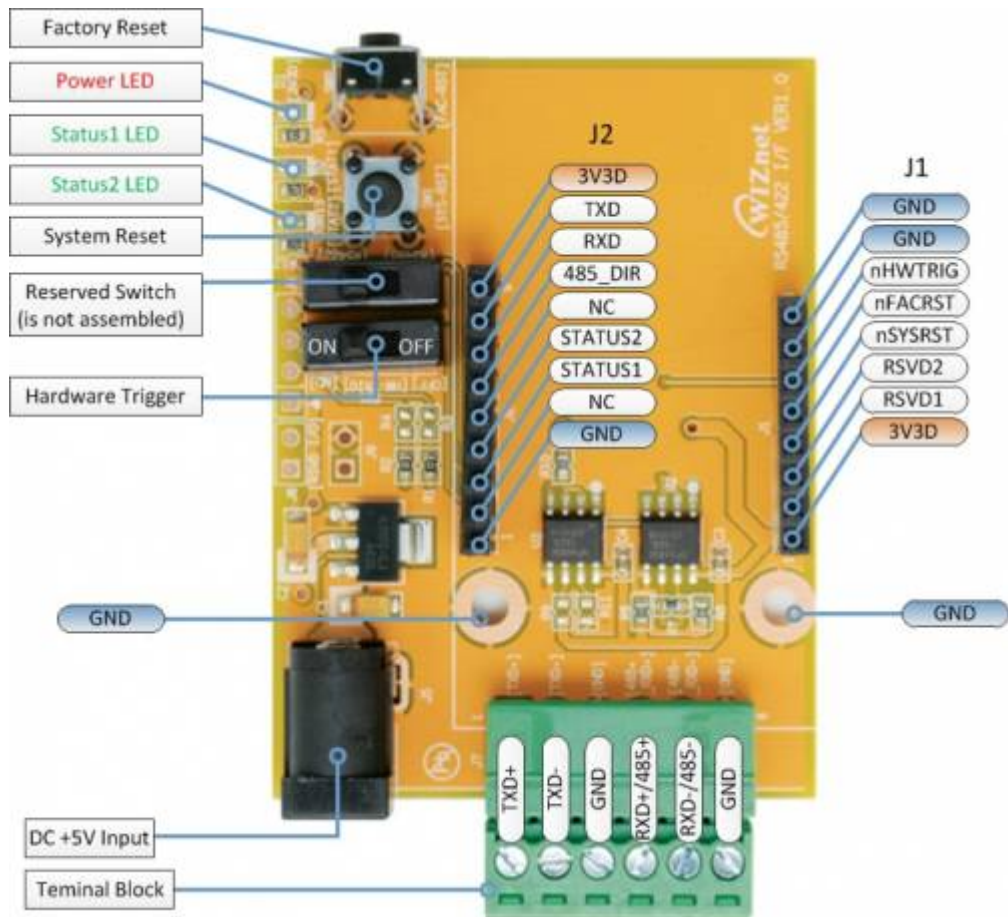
WIZ550S2E-232 Interface board

- Line Driver SP3232EBEY
- System Reset Switch
- Factory Reset Switch
- Hardware-Trigger Mode Switch
- Status LEDs
- DC-Jack (for +5V Input Power)



WIZ550S2E-485/422 Interface board

- Line Driver SP3485EN
- System Reset Switch
- Factory Reset Switch
- Hardware-Trigger Mode Switch
- Status LEDs
- DC-Jack (for +5V Input Power)



2014/07/29 09:01 · [jameskim](#)

Characteristic

WIZ550S2E

Input Power	DC +3.3V
Current Consumption	140mA(Typ.)
Operating Temperature	-40 ~ 85 °C

WIZ550S2E-232-EVB

Input Power	DC +5V (Plug type: Outdiameter 5.5Pi - Caliber 2.1Pi)
Current Consumption(connected with WIZ550S2E)	154mA(Max.)
Operating Temperature	-40 ~ 85 °C

WIZ550S2E-485/422-EVB

Input Power	DC +5V (Plug type: Outdiameter 5.5Pi - Caliber 2.1Pi)
Current Consumption(connected with WIZ550S2E)	179mA(Max.)@RS422Mode, 157mA(Max.)@RS485Mode
Operating Temperature	-40 ~ 85 °C

2014/07/29 16:39 · [sam](#)

Schematic

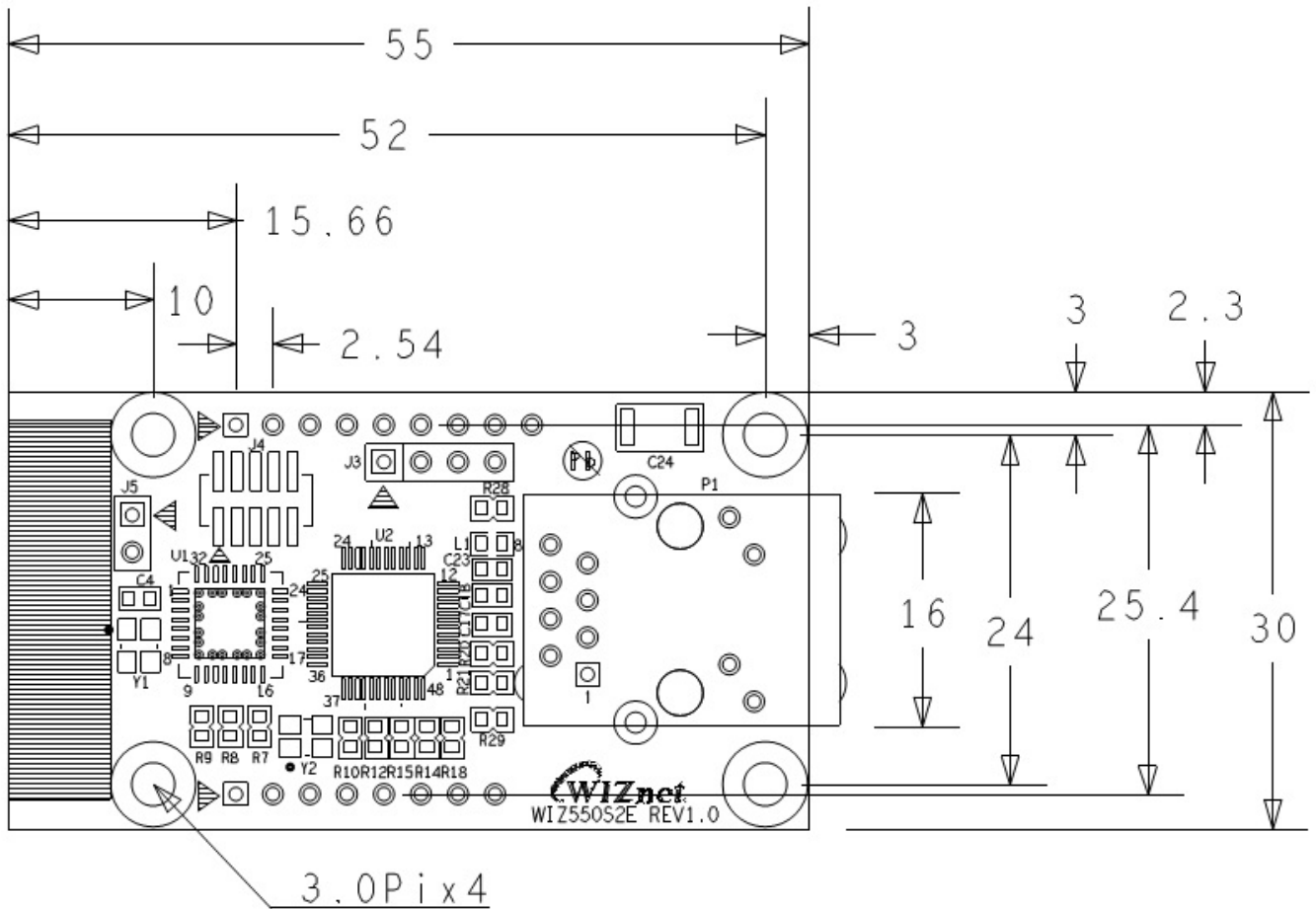
List	Version	Schematic
WIZ550S2E	1.0	wiz550s2e_v1_0.pdf
WIZ550S2E-232 Interface board	1.0	rs232if_v1_0.pdf
WIZ550S2E-485/422 Interface board	1.0	rs485-422if_v1_0.pdf

2014/07/29 09:03 · [jameskim](#)

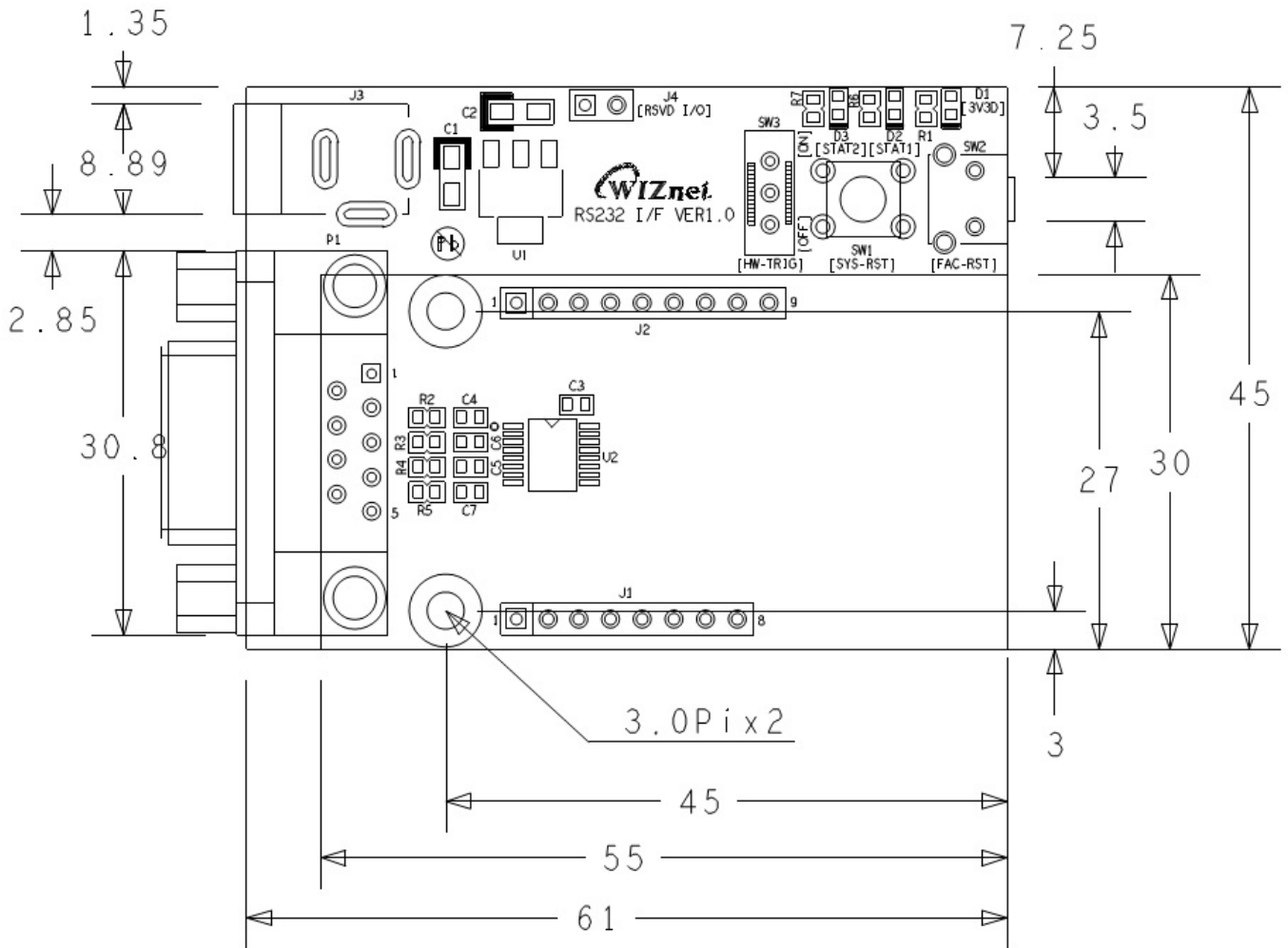
Dimension

(Unit: mm)

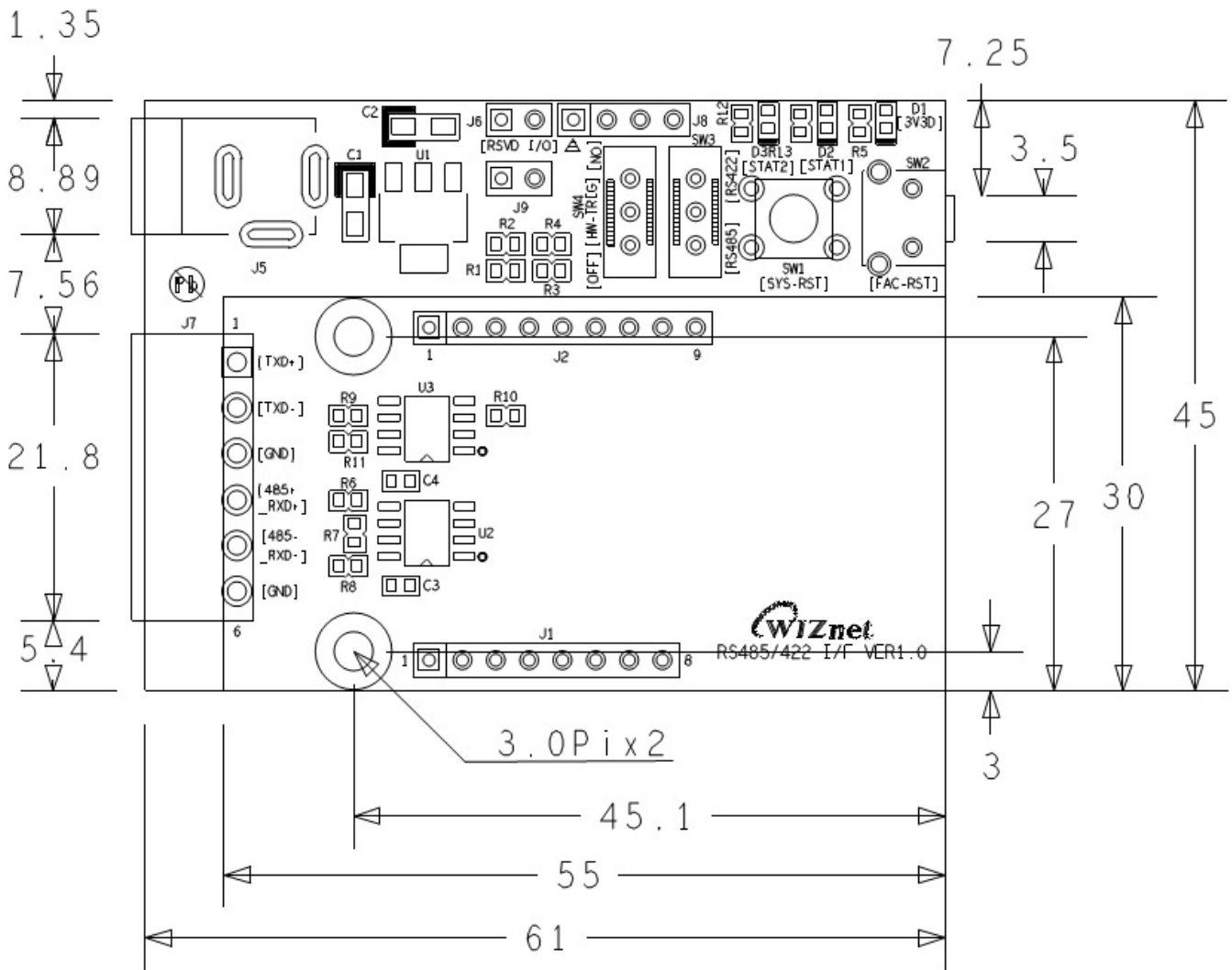
WIZ550S2E



WIZ550S2E-232 Interface board



WIZ550S2E-485/422 Interface board



2014/07/29 09:05 · jameskim

From: <http://wizwiki.net/wiki/> -

Permanent link: http://wizwiki.net/wiki/doku.php?id=products:wiz550s2e:wiz550s2eds_en

Last update: **2014/07/29 09:06**