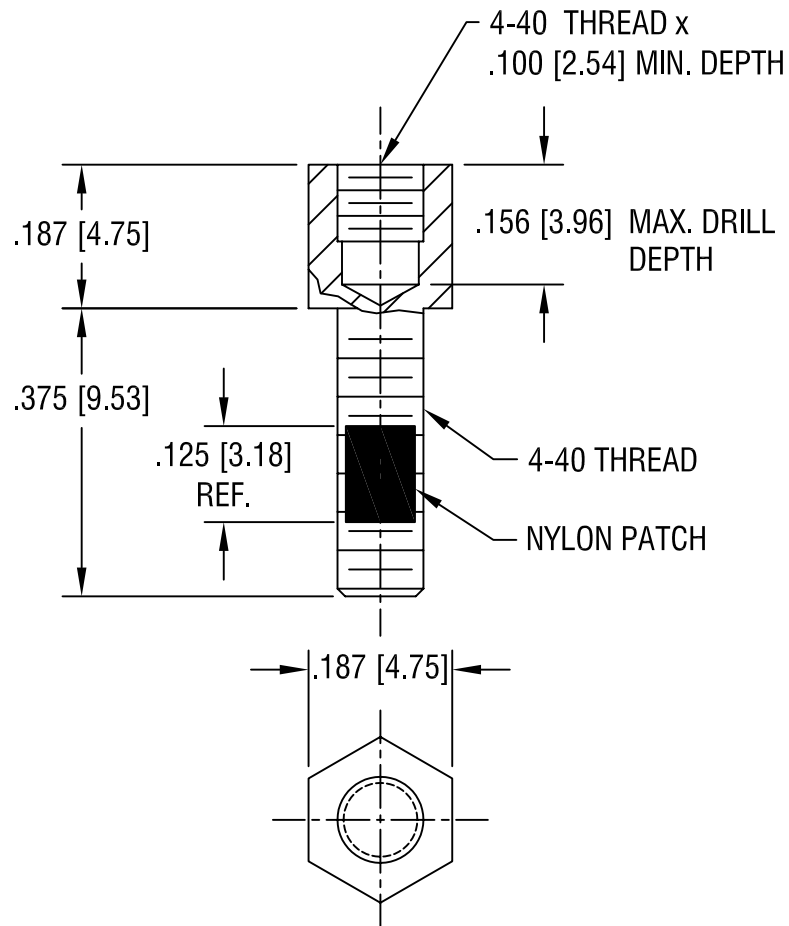


THIS DOCUMENT IS THE PROPERTY OF
KEYSTONE ELECTRONICS CORP. AND
SHALL NOT BE REPRODUCED, DISTRIBUTED
OR USED AS A BASIS FOR MANUFACTURE
WITHOUT PRIOR WRITTEN PERMISSION
FROM KEYSTONE ELECTRONICS CORP.



NOTE:

1. FINISH: ZINC PLATE, TRIVALENT AND YELLOW DIE.

| | | | |
|-----------------------------------|-----------------|--------|-------------|
| KEYSTONE ELECTRONICS CORP. | | | |
| ASTORIA, N.Y. 11105-2017 | | | |
| PART NAME | | | |
| JACK SCREW W/ NYLON PATCH | | | |
| MATERIAL | | | |
| STEEL | | | |
| FINISH | | DRN BY | DATE |
| AS NOTED | | BOONE | 2.1.06 |
| | | APP'D | SCALE |
| | | | 4X |
| TOLERANCES | INCH [MM] | CODE | DWG NO. |
| DECIMAL | ± .005 [± 0.15] | C/M | 7266 |
| ANGULAR | ± 1° | | |
| UNLESS OTHERWISE SPECIFIED | | | |

| DATE | DESCRIPTION | REV. |
|------|-------------|------|
| | | |