

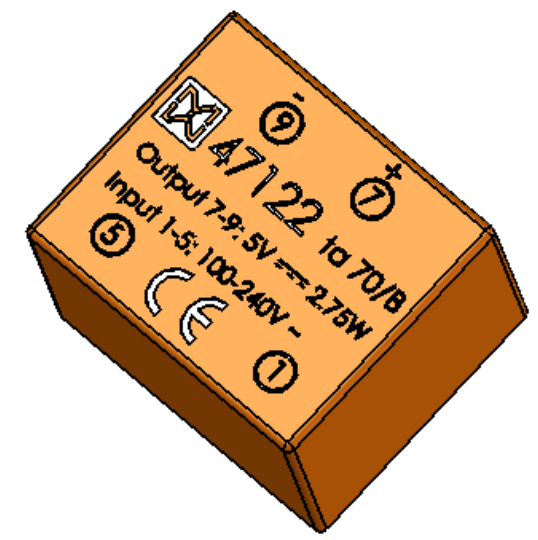
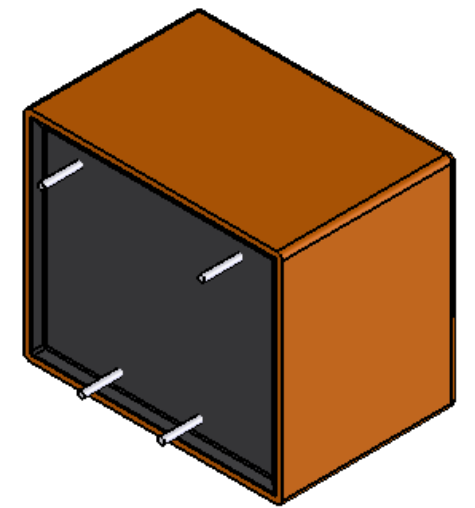
ONE OUPUT REGULATED SERIES	
MAIN INPUT VOLTAGE	100 up to 240VAC
INPUT VOLTAGE LIMITS	85 up to 265VAC
FREQUENCY	47 up to 440Hz
OUTPUT VOLTAGE	See table
POWER	See table
AMBIENT TEMPERATURE	See table
TEMPERATURE CLASS	Class B (130°C)
STORAGE TEMPERATURE	-40°C up to 85°C
OUTPUT VOLTAGE ACCURACY (100% LOAD)	± 2%
LINE OUTPUT VOLTAGE VARIATION	± 3%
LOAD OUPUT VOLTAGE VARIATION	± 0,5%
NO LOAD INPUT POWER	< 200mWatts
INPUT TO OUTPUT DIELECTRIC STRENGHT	4KVAC

- INCORPORATED FUSE RESISTOR INPUT PROTECTION
- SHORT CIRCUIT PROTECTION WHEN FAULT CONDITION
- AUTOMATIC RESTART WHEN FAULT CONDITION REMOVED
- AUTOMATIC THERMAL SHUTDOWN

APPROVALS	
EN61558-1	
EN61558-2-16	
EN60335	
EN60925-2-11	
UL60950 (UL+CUL)	
CE	

P/N	Output Voltage	Power	Efficiency %	Ambient (ta)
47122	5VDC	2,75W	68%	70°C

EMC CERTIFICATION	
EMISSION	
EN55022	
EN55014-1	
IMMUNITY	
EN55024	
EN55014-2	
IEC61000-4-4	
IEC61000-4-5	



**PROPRIETARY AND CONFIDENTIAL**  
 THE INFORMATION CONTAINED IN THIS DRAWING IS THE SOLE PROPERTY OF MYRRA SAS. ANY REPRODUCTION IN PART OR AS A WHOLE WITHOUT THE WRITTEN PERMISSION OF MYRRA SAS IS PROHIBITED.

UNLESS OTHERWISE SPECIFIED:		NAME	DATE
DIMENSIONS ARE IN MM		JPM	14/09/12
TOLERANCES:			
FRACTIONAL ±			
ANGULAR: MACH ± BEND ±			
TWO PLACE DECIMAL ±			
THREE PLACE DECIMAL ±			
INTERPRET GEOMETRIC TOLERANCING PER:			
MATERIAL			
FINISH			
DO NOT SCALE DRAWING			

MYRRA SAS		
TITLE: One Output Regulated 47122 data sheet		
SIZE <b>B</b>	DWG. NO. 47122	REV
SCALE: 1:1	WEIGHT:	SHEET 1 OF 1

NEXT ASSY USED ON APPLICATION