

4

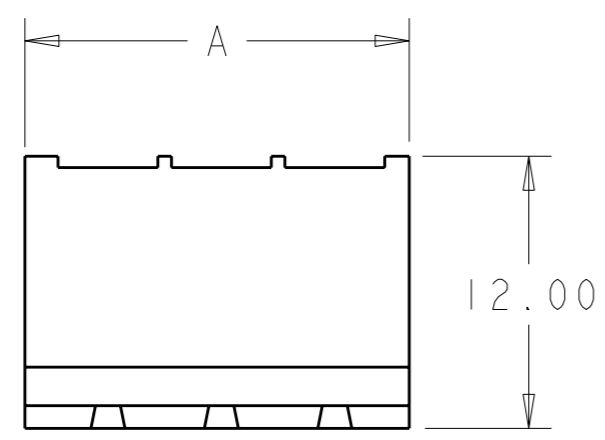
3

2

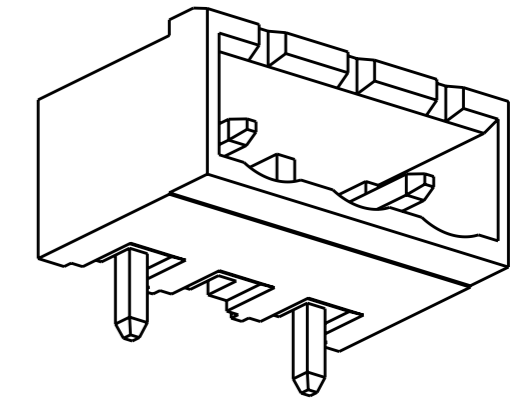
1

THIS DRAWING IS UNPUBLISHED. RELEASED FOR PUBLICATION 20
 © COPYRIGHT 20 Y ALL RIGHTS RESERVED.

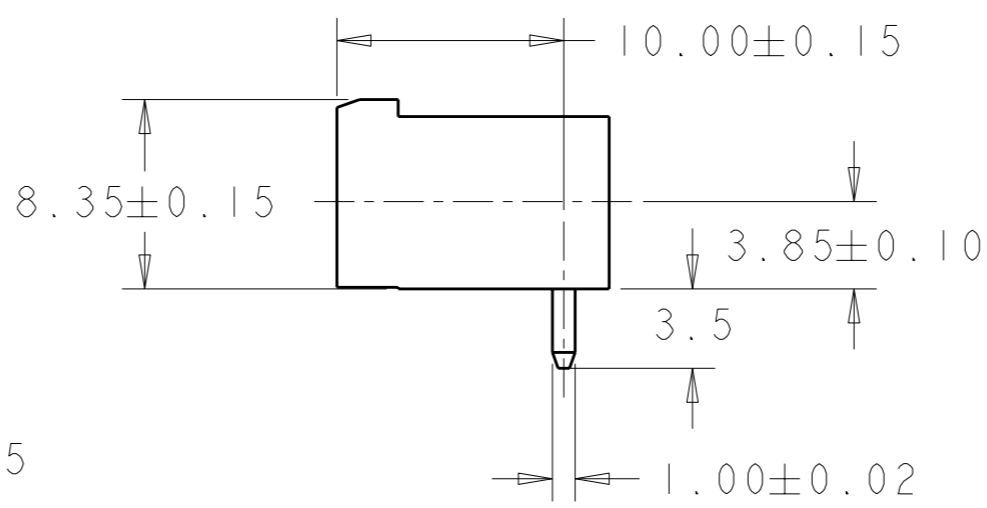
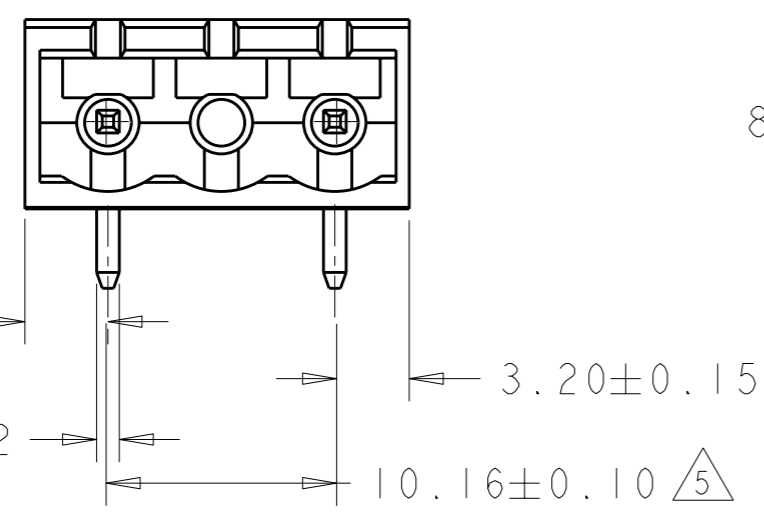
LOC	DIST	REVISIONS			
P	LTR	DESCRIPTION	DATE	DWN	APVD
FT	0	E	REVISED PER ECO-12-007964	02MAY2012	KH MS



- 1 MATERIALS AND FINISH
HOUSING: PA 6-6, UL 94-V0, COLOR GREEN.
TERMINAL: COPPER ALLOY, TIN PLATED.
- 2 SUITABLE FOR 1,6-2,4mm PC BOARD THICKNESS.
OBSOLETE
- 3 RECOGNIZED UNDER THE COMPONENT PROGRAM OF
UNDERWRITERS LABORATORIES INC. FILE N° E60677.
- 4 IMQ CERTIFICATE WITH SURVEILLANCE IN CONFORMITY
WITH IEC 998-1/998-2-1.
- 5 NOT CUMULATIVE TOLERANCE.

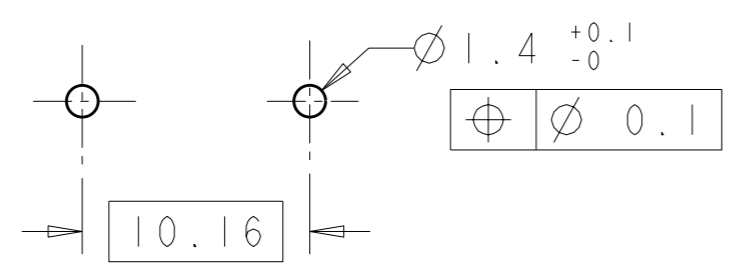


282818-2 AS SHOWN



DIM. A	N° OF POS.	PART NUMBER
OBSOLETE	128.82 ^{+0.40} _{-0.25}	13
	118.66 ^{+0.40} _{-0.25}	12
OBSOLETE	108.50 ^{+0.40} _{-0.25}	11
OBSOLETE	98.34 ^{+0.40} _{-0.25}	10
	88.18 ^{+0.35} _{-0.25}	9
	78.02 ^{+0.35} _{-0.25}	8
OBSOLETE	67.86 ^{+0.35} _{-0.20}	7
	57.70 ^{+0.30} _{-0.20}	6
	47.54 ^{+0.30} _{-0.20}	5
	37.38 ^{+0.25} _{-0.10}	4
	27.22 ^{+0.25} _{-0.10}	3
	17.06 ^{+0.20} _{-0.10}	2

RECOMMENDED PC BOARD LAYOUT



THIS DRAWING IS A CONTROLLED DOCUMENT.		DWN E. ZANOLINI 26 JUL 2001	TE Connectivity	
DIMENSIONS: mm		CHK D. BIEVENOUR 26 JUL 2001		
TOLERANCES UNLESS OTHERWISE SPECIFIED:		APVD D. BIEVENOUR 26 JUL 2001	NAME TERMINAL BLOCK HEADER ASSEMBLY 90 DEG CLOSED ENDS 10.16mm PITCH	
0 PLC ±.2		PRODUCT SPEC 108-20166	SIZE A3	
1 PLC ±.2		APPLICATION SPEC 114-20079	CAGE CODE 00779	DRAWING NO C-282818
2 PLC ±.25		WEIGHT -	RESTRICTED TO -	
3 PLC ±.		CUSTOMER DRAWING	SCALE 3:1	
4 PLC ±.			SHEET 1 OF 1	
ANGLES ±2		REV E		
MATERIAL	FINISH			