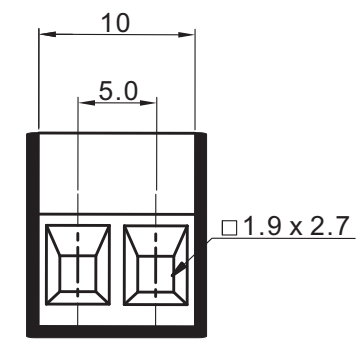
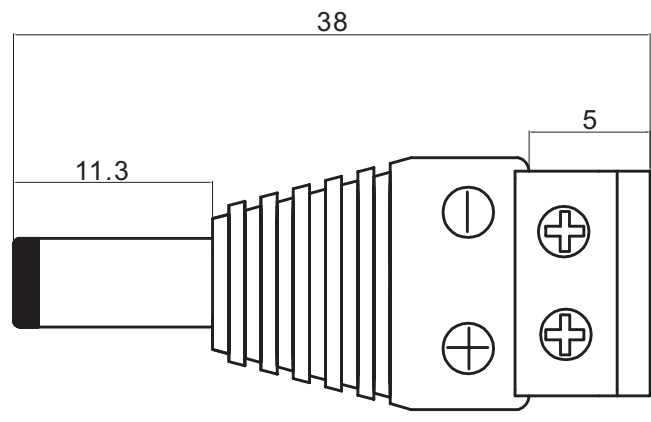
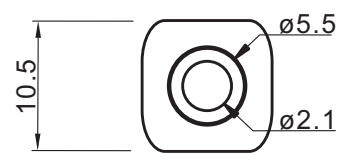


| SIGN | DESCRIPTION | DATE | APPROVER |
|------|-------------|------|----------|
| △ | --- | | |
| △ | | | |



Technical Data:

Electrical:

- Voltage rating: 12VDC
- Current rating: 5A
- Contact resistance: 20mΩ
- Insulation resistance: 5000MΩ / 1000V
- Wire range: 26-12AWG

Mechanical:

- Torque: 0.5Nm (4.4lb/in)
- Operating temperature: -40°C to 105°C
- Strip length: 7mm

| | | |
|------------|-----------------|-------------------------|
| TOLERANCE | APPROVED: RIKKI | NAME: |
| X ±0.50 | CHECKED: CAMILY | 2.1mm Male Plug Adapter |
| X.X ±0.30 | DRAWN: SHERMAN | |
| X.XX ±0.20 | UNIT: mm | REV.: A |
| X° ±1° | SCALE: 4/1 | PAGE: 1/1 |
| | | PART NO: DC14-M |
| | | DWG NO.: |