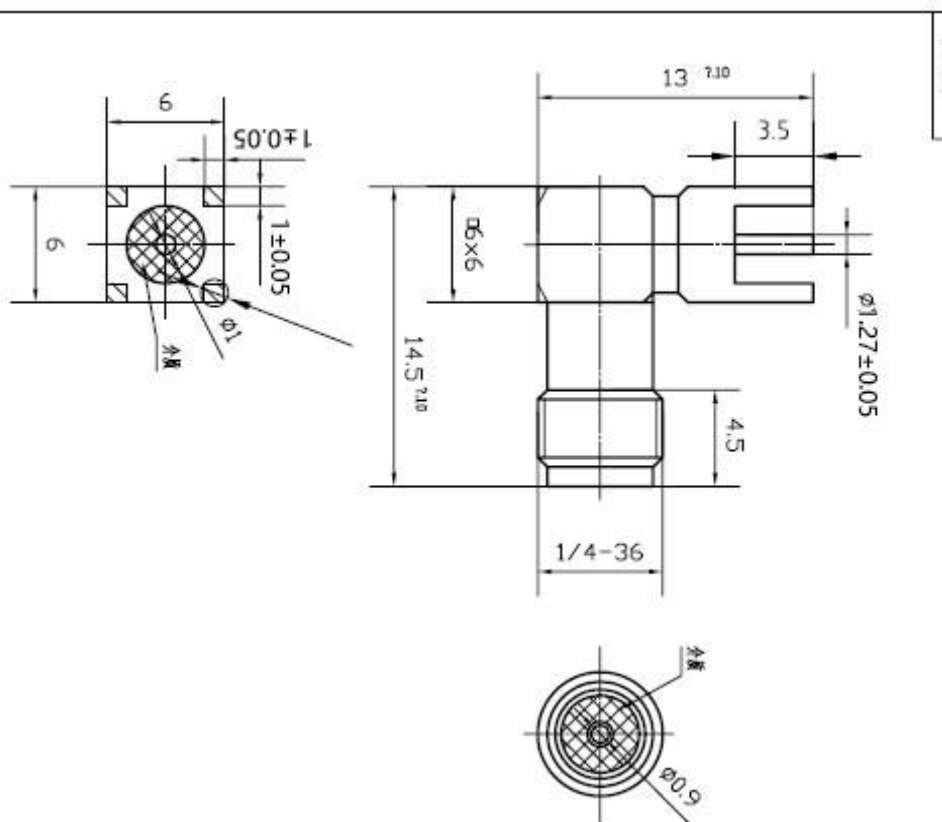


Item no.: SMA PCBW-EC2

Data Sheet

SMA right-angle, PCB mount, Jack Receptacle



Impedance: 50 Ohm

Insulation resistance: 500M Ohm

Frequency: Max 4 GHz

Material: Brass , Gold plated

Operation Temperature/ Humidity: -20°C ~ +70°C / 10% ~ 90%

Storage Temperature/ Humidity: -20°C ~ +70°C / 10% ~ 90%