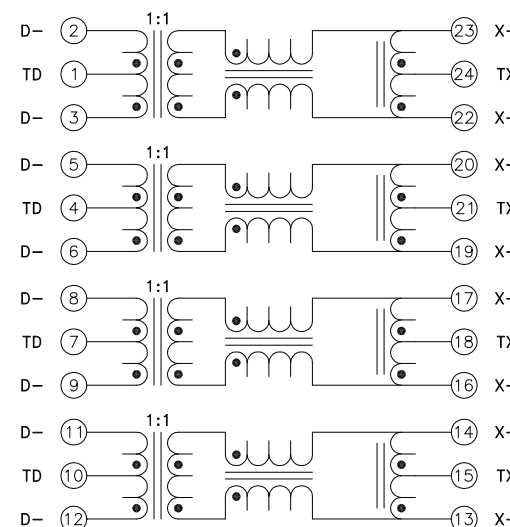
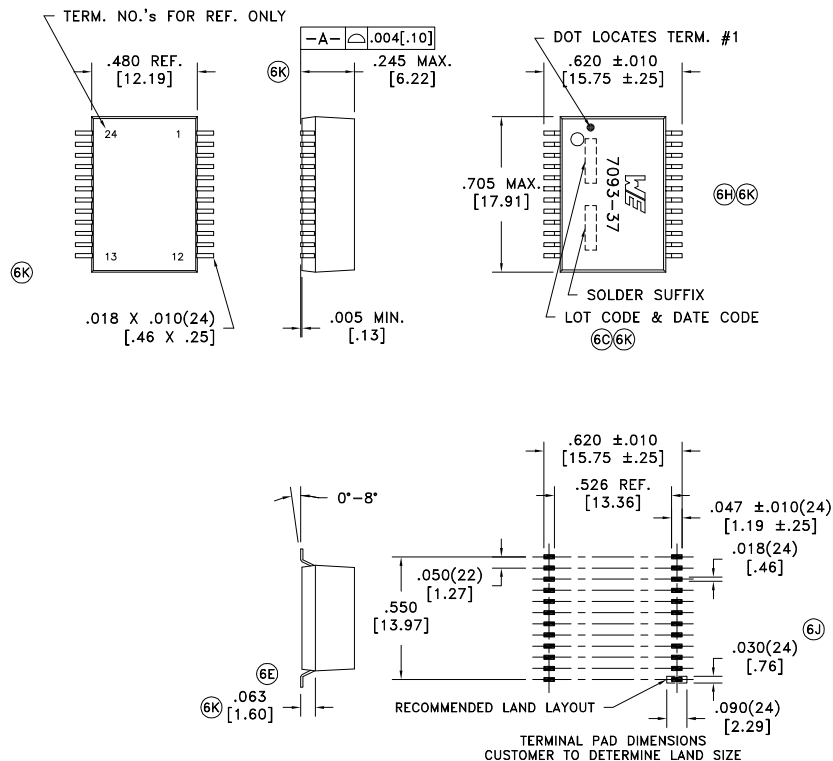


SOLDER SUFFIX	CUSTOMER TERMINAL	RoHS	LEAD(Pb)-FREE	6C
LF1	Sn96%, Ag4%	Yes	No	

more than you expect



**ELECTRICAL SPECIFICATIONS @ 25°C unless otherwise noted:**

D.C. RESISTANCE (@20°C):	2-3; 5-6; 8-9; 11-12, 1.0 Ohms max.. 23-22; 20-19; 17-16; 14-13, 0.80 Ohms max..
INDUCTANCE:	350uH min., 100kHz, 100mV, 8mADC, 23-22; 20-19; 17-16; 14-13, Lp.
DIELECTRIC RATING:	1500Vrms, 1 minute tested by applying 1800Vrms for 1 second between 1-24(tie 1+4+7+10, 15+18+21+24).
TURNS RATIO & POLARITY:	(2-3):(23-22) = 1:1, ±2%. (5-6):(20-19) = 1:1, ±2%. (8-9):(17-16) = 1:1, ±2%. (11-12):(14-13) = 1:1, ±2%.
INSERTION LOSS:	-1.0dB max., 300k - 100MHz.
RETURN LOSS:	-18dB min., 500k - 40MHz. -15dB min., 40M - 60MHz. -12dB min., 60M - 80MHz. -10dB min., 80M - 100MHz.
CROSSTALK:	-35dB min., 300k - 100MHz.
CMRR:	-42dB min., 300k - 32MHz. -33dB min., 32M - 100MHz.
OPERATING TEMPERATURE RANGE:	-40°C to +85°C.
COPLANARITY:	All 24 terminals must lie on a plane within .004 [.10] of Surface A after lead tinning.

REV.	DATE	Packaging Specifications	
6K	3/14	Method: Tape & Reel	
6J	4/10	PKG-0363	
6H	9/07	www.we-online.com/midcom	
6G	1/07	SEE REVISION SHEET FOR REVISION LEVEL	

Tolerances unless otherwise specified:  
 Angles: ±1°      Decimals: ±.005 [.13]  
 Fractions: ±1/64      Footprint: ±.005 [.13]

This drawing is dual dimensioned. Dimensions in brackets are in millimeters.

DRAWING TITLE  
**TRANSFORMER**  
 PDFP-G24

eiSos p/n: 749020013

PART NO.  
**000-7093-37R-LF1**

SPECIFICATION SHEET 1 OF 1