

Datasheet SHT31D BOB

Humidity and Temperature Sensor

Version 1.0

- Fully calibrated, linearized, and temperature compensated digital output
- Wide supply voltage range, from 2.4V to 5.5V
- I2C Interface with communication speeds up to 1MHz and two user selectable addresses
- Typical accuracy of $\pm 2\%RH$ and $\pm 0.3^{\circ}C$
- Very fast startup and measurement time

Product Summary

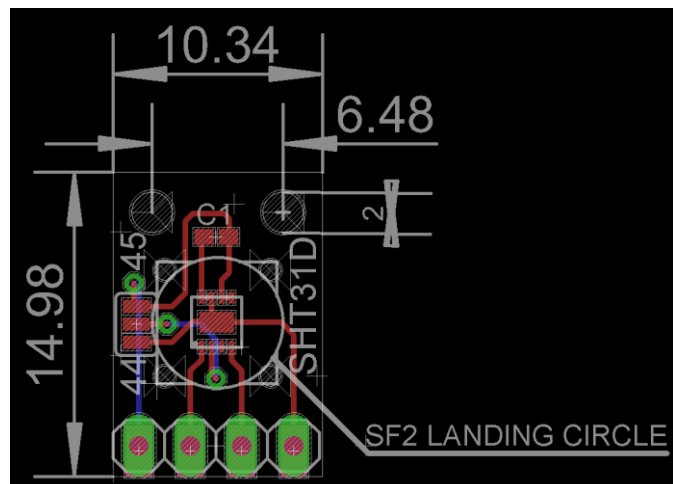
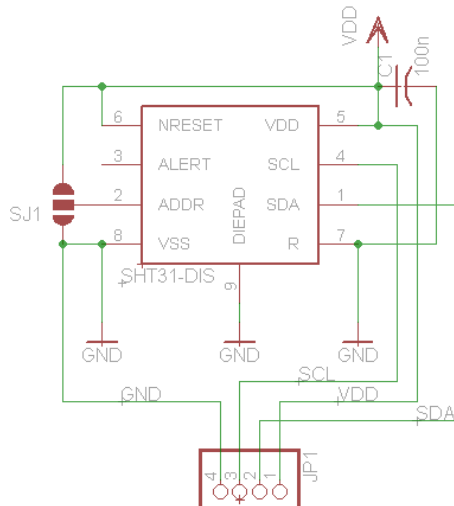
SHT3x-DIS is the next generation of Sensirion's temperature and humidity sensors. It builds on a new CMOSens® sensor chip that is at the heart of Sensirion's new humidity and temperature platform. The SHT3x-DIS has increased intelligence, reliability and improved accuracy specifications compared to its predecessor. Its functionality includes enhanced signal processing, two distinctive and user selectable I2C addresses and communication speeds of up to 1 MHz. The DFN

package has a footprint of $2.5 \times 2.5 \text{ mm}^2$ while keeping a height of 0.9 mm. This allows for integration of the SHT3x-DIS into a great variety of applications. Additionally, the wide supply voltage range of 2.4 V to 5.5 V guarantees compatibility with diverse assembly situations. All in all, the SHT3x-DIS incorporates 15 years of knowledge of Sensirion, the leader in the humidity sensor industry.

SHT31D BOB module features:

- Very small – only 10.5 x 15mm
- Standard 0.1" headers for output pins
- Preconfigured for I2C address 0x44

Schematic diagram and board dimensions of SHT31D BOB



For more details please refer to the SHT31-DIS datasheet:

https://www.sensirion.com/fileadmin/user_upload/customers/sensirion/Dokumente/Humidity_Sensors/Sensirion_Humidity_Sensors_SHT3x_Datasheet_digital.pdf