

SXL SERIES

Extreme loud

STANDARD SERIES

Sonitron's extremely loud series presented in a standard series housing are used in conditions that requires immediate attention getting and action to prevent dramatic situations. In this series Sonitron used more than 30 years experience know-how and elaborated working principles.



ADVANTAGES & APPLICATIONS

ADVANTAGES :

- Extremely high sound pressure level with a very clear and penetrating sound output
- Solid state shock proof buzzer
- Dust and waterproof, rated to IP67
- PCB and panel mounting; pin or fast-on terminals
- Very high reliability
- Low power consumption
- Wide operating supply range
- Wide temperature range
- Electronics potted in epoxy
- Small in dimensions

APPLICATIONS :

- Alarms
- Agricultural equipment
- Monitoring and test equipment
- Medical equipment
- Military equipment
- Trucks & automobiles
- Boats & airplanes
- Signalling & process control equipment
- Fire detectors
- Vending-machine
- Cockpit alarm

SPECIFICATIONS

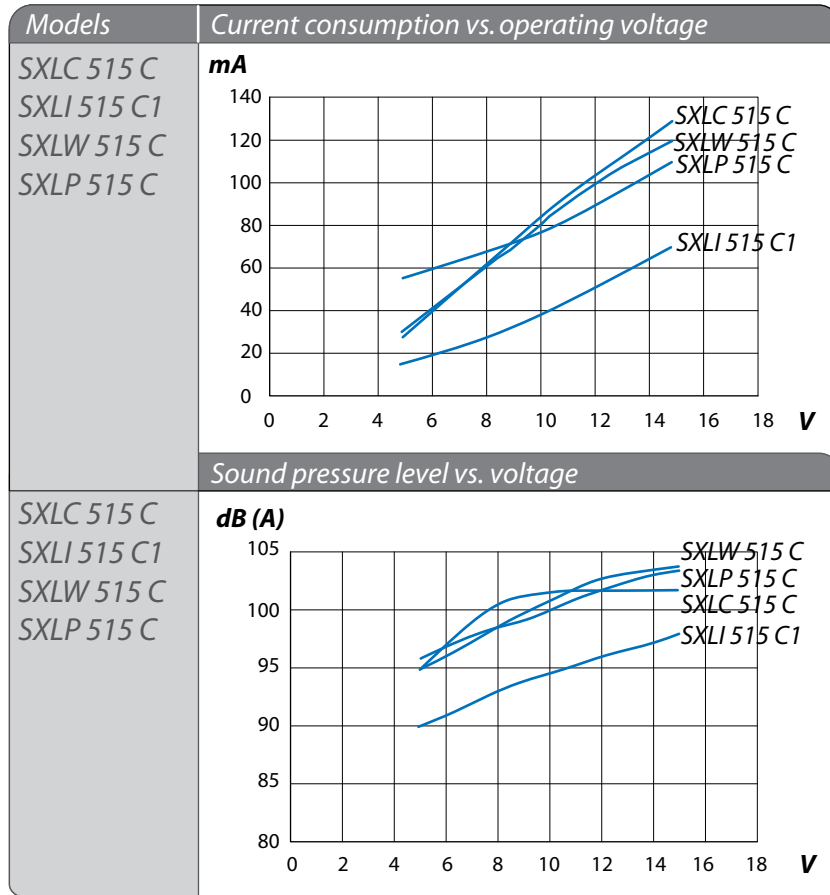


Operating temperature	-40°C to +85°C
Storage temperature	-40°C to +85°C
Life time (at 21°C)	@12Vdc continuous use min. 9 hours (expected life time curve in addendum)
Case material	ABS (UL rating: 94 HB)
Standard colour of case	Black
Terminal material	Tinned brass for both pin terminals and fast-on terminals
Supplemental	Reverse voltage protected. Weight: 22g

Model	Function	Operating voltage		Frequency (Hz) (±30%)	Operating current (mA)		Sound pressure level* (dB(A))	Weight (g)
		min Vdc	max Vdc		@V min.	@V max.		
SXLC 515 C	continuous	5	15	3000	25	130	102	22
SXLI 515 C1	multifunction	5	15	3000	13	70	96	22
SXLW 515 C	warbler	5	15	3000	30	120	104	22
SXLP 515 C	sweep	5	15	3000	55	110	102	22

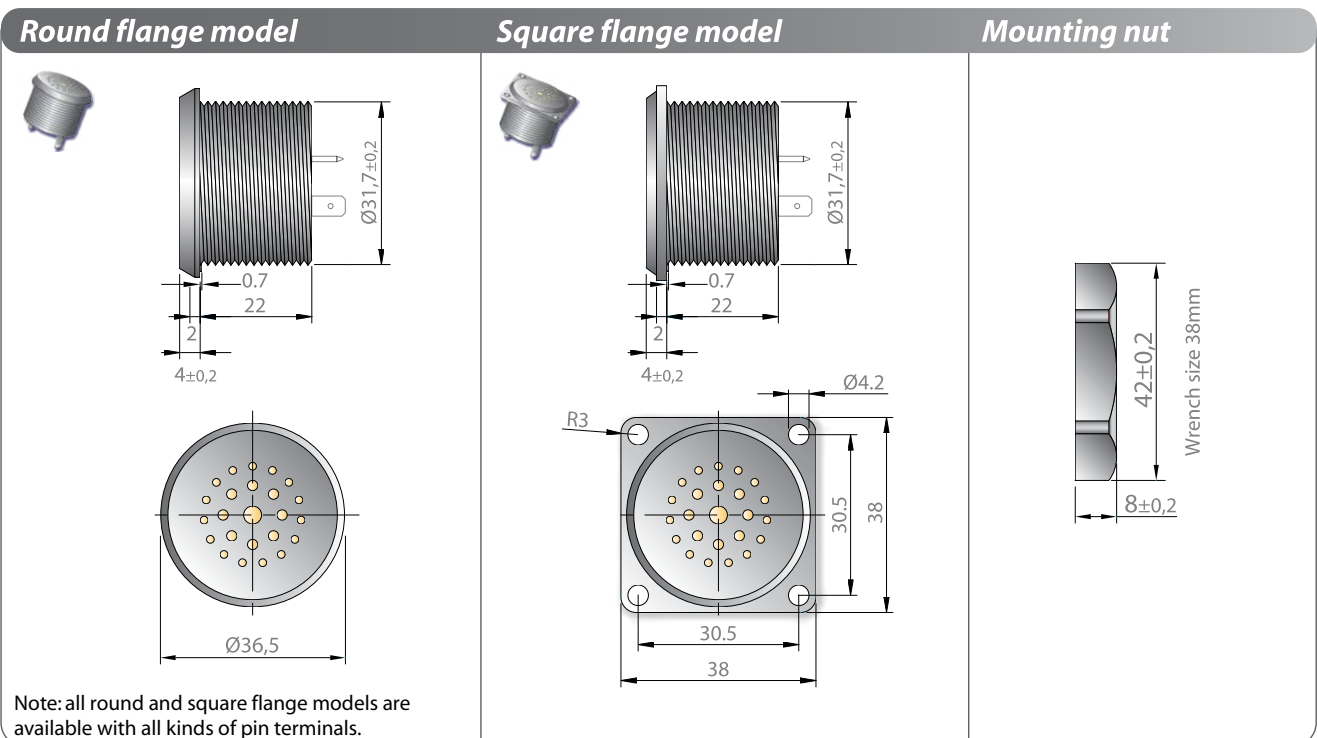
*All measurements are made @ 1 meter @ 12 Vdc in free air @21°C.

ELECTRICAL PARAMETERS

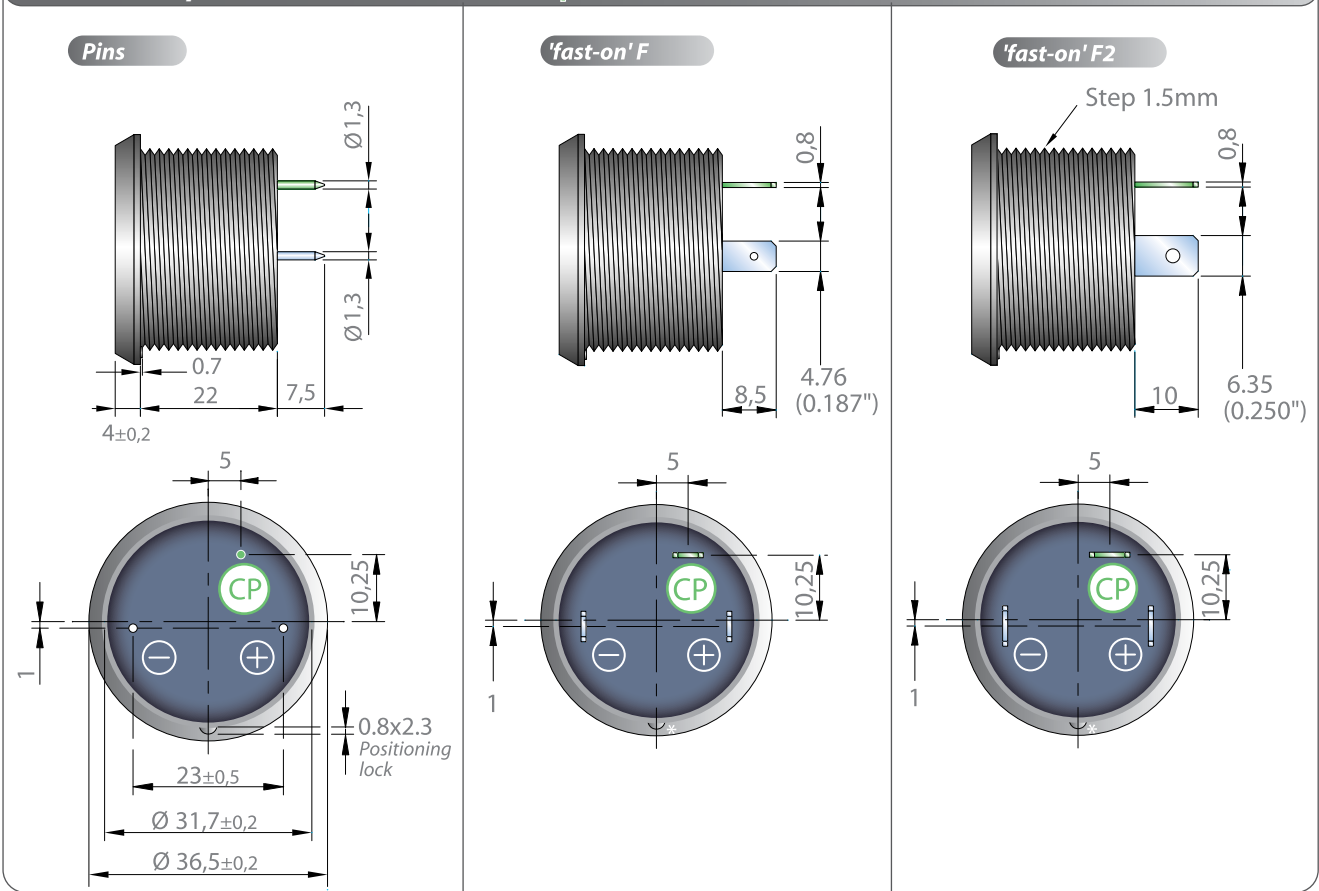


All measurements are made @ 12Vdc @ 1 meter in free air @ 21°C.

DIMENSIONS (All dimensions are in mm)



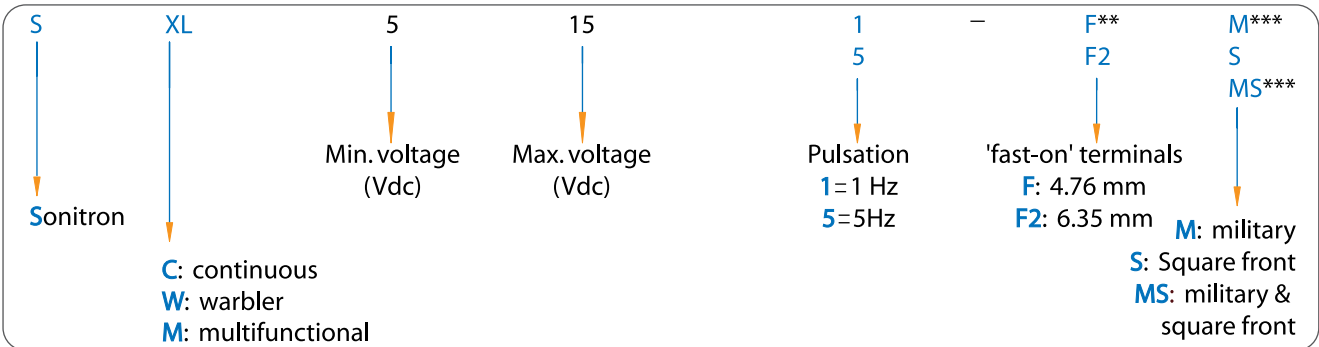
Models (2 pins) SXLC, SXLW, SXLP (3 pins) SXLI



Note: control pin (CP) only with multifunction buzzers.

*0.8x2.3 Positioning lock

PRODUCT CODIFICATION



F** If no terminal specification, the model is standard delivered with round pins, diameter 1.5 mm. Fast-on terminals are available in 2 dimensions: F= 4,76 mm (0,187 inch) or F2 = 6,35 mm (0,250 inch).

M*** Military norm MIL STD 202

LIST OF AVAILABLE PRODUCT TYPES

SXLC 515 C SXLC 515 C F SXLC 515 C F2 SXLC 515 C F M SXLC 515 C F2 M SXLC 515 C S SXLC 515 C F S SXLC 515 C F2 S SXLC 515 C F MS SXLC 515 C F2 MS	SXLI 515 C1 SXLI 515 C1 F SXLI 515 C1 F2 SXLI 515 C1 F M SXLI 515 C1 F2 M SXLI 515 C1 S SXLI 515 C1 F S SXLI 515 C1 F2 S SXLI 515 C1 F MS SXLI 515 C1 F2 MS	SXLW 515 C SXLW 515 C F SXLW 515 C F2 SXLW 515 C F M SXLW 515 C F2 M SXLW 515 C S SXLW 515 C F S SXLW 515 C F2 S SXLW 515 C F MS SXLW 515 C F2 MS	SXLP 515 C SXLP 515 C F SXLP 515 C F2 SXLP 515 C F M SXLP 515 C F2 M SXLP 515 C S SXLP 515 C F S SXLP 515 C F2 S SXLP 515 C F MS SXLP 515 C F2 MS
--	--	--	--

Packaging and models on request, see general information about "Standard series"(page 34).