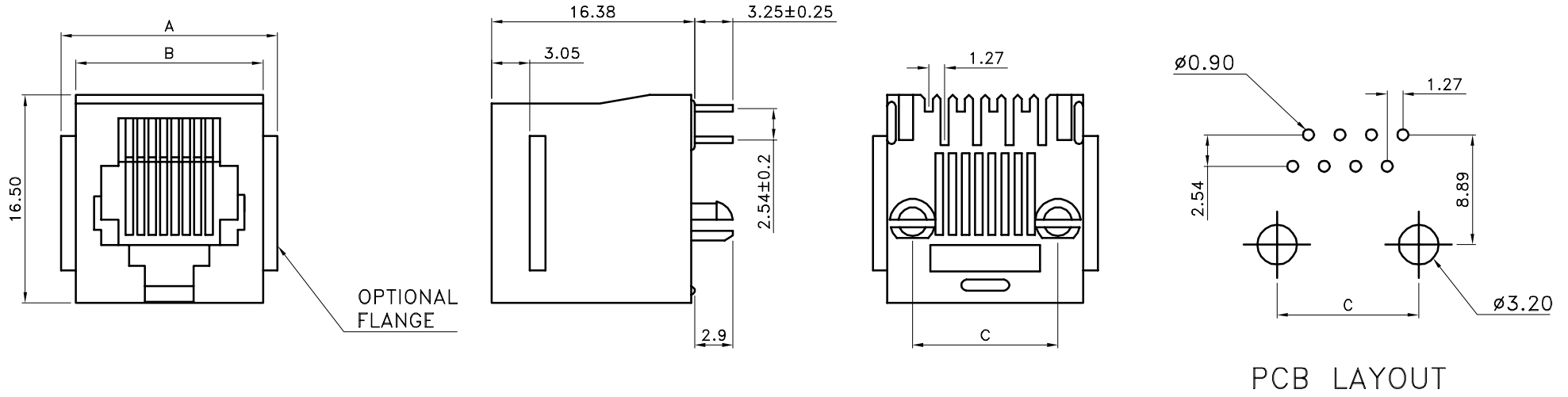



1 2 3 4 5

Position	Dimension		
	A	B	C
4	13.8	11.43	7.62
6	15.9	13.46	10.16
8	17.9	15.5	11.43

MATERIAL:
 HOUSING-PBT POLYESTER UL-94V-0
 MIXED GLASS FIBER.
 STANDARD COLOR-BLACK
 CONTACTS-0.45mm DIA. ROUND PHOS-BRONZE
 PLATED WITH HARD GOLD.



				DRAWN: Jerry Chen	GENERAL TOLERANCE: .X=±0.2 .XX=±0.15	 繼德工業股份有限公司 Neltron Industrial Co., Ltd.	
E				CHECKED:	UNIT: MM		DESCRIPTION: TOP ENTRY SPLIT PEGS ROUND CONTACTS,PCB JACK
D					SCALE:		
C					SHEET: 1 / 1	PART NO:	A4
B				APPROVAL:	PROJECTION:	7006-XPXC	
A	12-07-2002	7006-XPXC (SG)	Jerry Chen				
REV	DATE	FILE	BY				