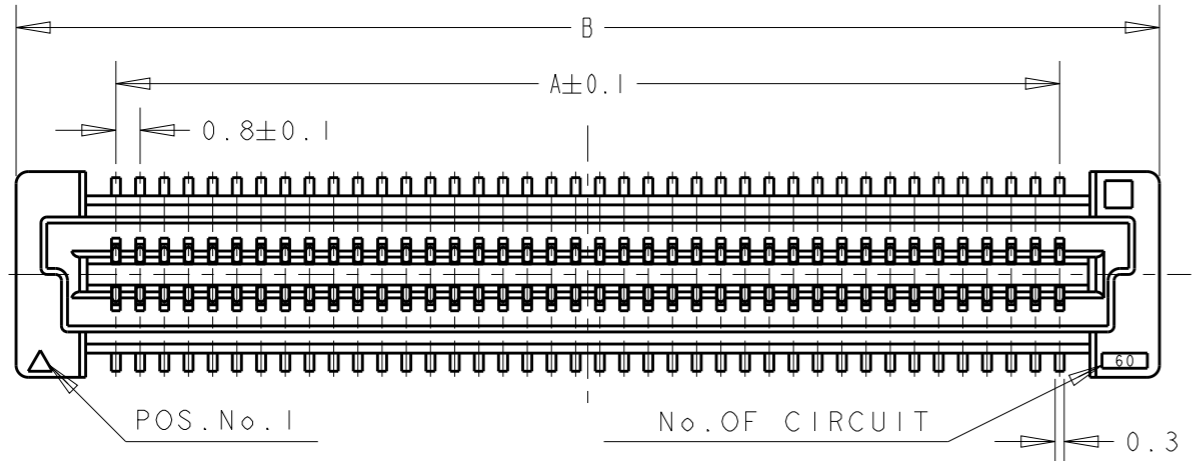
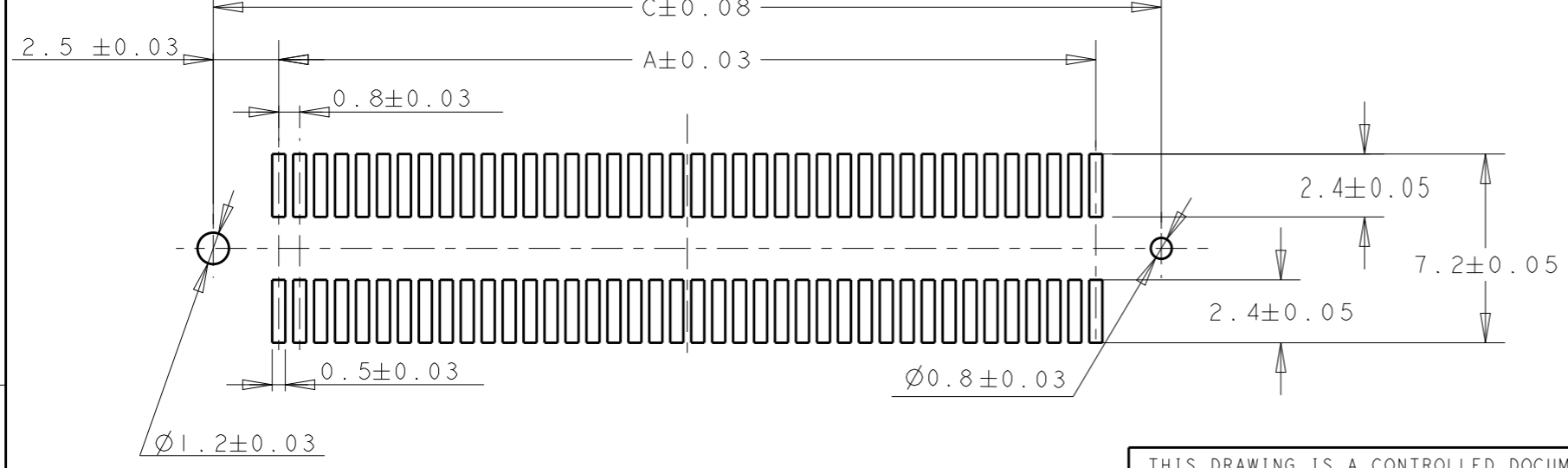
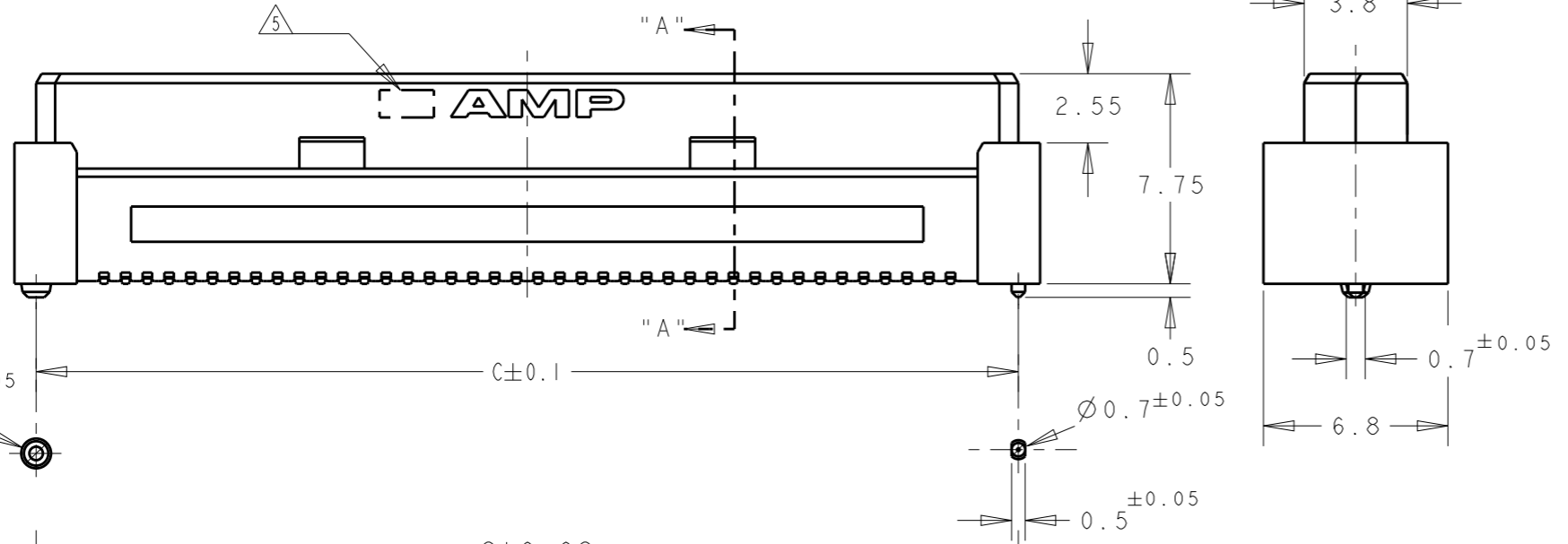
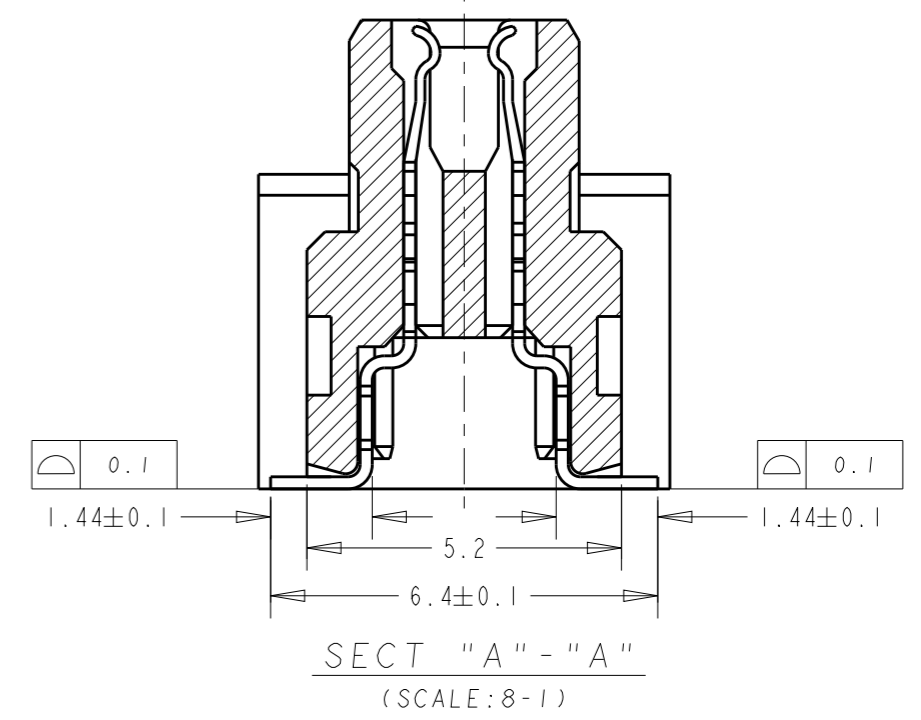


THIS DRAWING IS UNPUBLISHED. RELEASED FOR PUBLICATION 20  
 © COPYRIGHT 20 BY - ALL RIGHTS RESERVED.

| REVISIONS |     |                           |         |           |
|-----------|-----|---------------------------|---------|-----------|
| P         | LTR | DESCRIPTION               | DATE    | APVD      |
| R         |     | REVISED PER ECO-17-005566 | 27APR17 | B. J S. Y |



LOW HALOGEN



RECOMMENDED P.C. BOARD LAYOUT

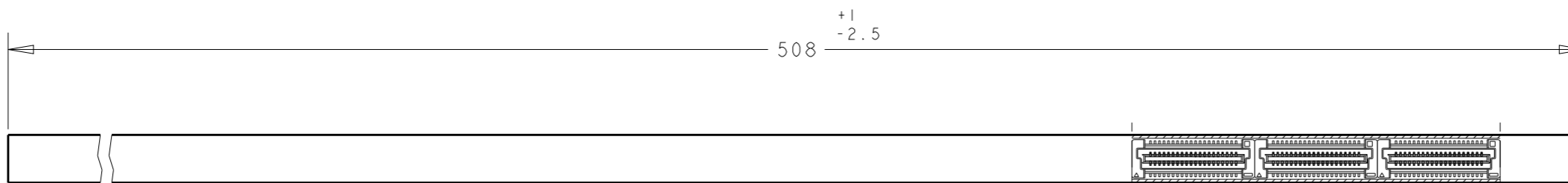
CONNECTOR ONLY

NOTES;

- 1 MATERIAL: HOUSING: L.C.P. (HIGH TEMP. THERMOPLASTIC)  
UL 94V-0, NATURAL.  
CONTACT: BERYLIUM COPPER.
- 2 FINISH: CONTACT AREA: 0.0002 MIN GOLD ON  
0.0013 MIN ALL OVER NICKEL.  
SOLDERING AREA: 0.002 MIN MATTE-TIN
- 3. POSITION SERIES: SEE TABLE. (SHEET 2)
- 4. CONN STACK HEIGHT COMBINE OF PLUG "Y" H VS REC "X" H.  
STACK HEIGHT = Y + X - 5
- 5 MANUFACTURE PLANT LOCATION MARK. QINGDAO:
- 6 CONNECTOR WITH BLACK HOUSING AND POLYIMIDE COVER

|  |  |                                |   |                         |
|--|--|--------------------------------|---|-------------------------|
| THIS DRAWING IS A CONTROLLED DOCUMENT. |  | DWN<br>FLORENCE TAN<br>14SEP04 | TE Connectivity   |                         |
| DIMENSIONS:<br>mm                      |  | CHK<br>ERIC TNG                |   |                         |
| TOLERANCES UNLESS OTHERWISE SPECIFIED: |  | APVD<br>SEIFONG                | NAME<br>RECEPTACLE ASSEMBLY 9H TYPE<br>FOR FH 0.8mm PITCH B-T-B CONNECTOR |                         |
| 0 PLC ±0.30                            |  | PRODUCT SPEC<br>108-5390       | SIZE<br>A3  |                         |
| 1 PLC ±0.25                            |  | APPLICATION SPEC<br>114-5254   | CAGE CODE<br>-  | DRAWING NO<br>C-5179009 |
| 2 PLC ±0.20                            |  | WEIGHT<br>-                    | RESTRICTED TO<br>-  |                         |
| 3 PLC ±0.20                            |  | MATERIAL<br>1                  | SCALE<br>4:1  |                         |
| 4 PLC ±0.20                            |  |                                | SHEET<br>1 OF 3   |                         |
| ANGLES ±3°                             |  | REV<br>R                       |   |                         |
| FINISH<br>2                            |  | CUSTOMER DRAWING               |   |                         |

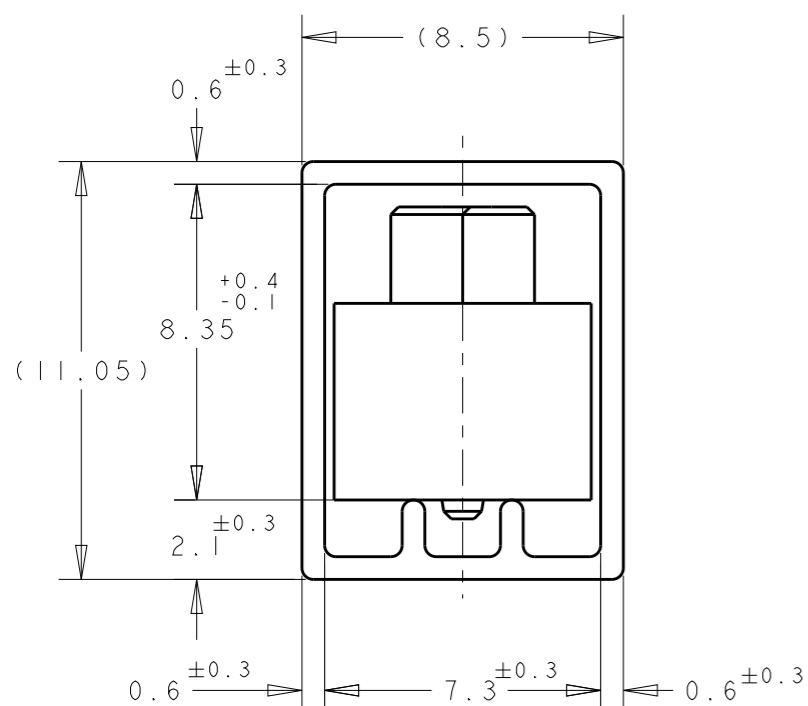
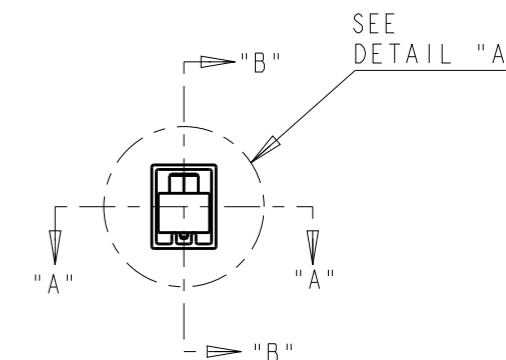
| P | LTR | DESCRIPTION      | DATE | DWN | APVD |
|---|-----|------------------|------|-----|------|
|   |     | SEE SHEET 1 OF 3 |      |     |      |



SECT "A" - "A"



SECT "B" - "B"






DETAIL "A"  
(SCALE 5-1)

WITHOUT COVER

LOW HALOGEN

|       |       |       |      |          |    |
|-------|-------|-------|------|----------|----|
| 84.20 | 85.80 | 79.20 | 200  | 6-       | -0 |
| 76.20 | 77.80 | 71.20 | 180  | 5-       | -9 |
| 68.20 | 69.80 | 63.20 | 160  | 5-       | -8 |
| 60.20 | 61.80 | 55.20 | 140  | 5-       | -6 |
| 52.20 | 53.80 | 47.20 | 120  | 5-       | -5 |
| 44.20 | 45.80 | 39.20 | 100  | 5-       | -4 |
| 36.20 | 37.80 | 31.20 | 80   | 5-       | -3 |
| 28.20 | 29.80 | 23.20 | 60   | 5-       | -2 |
| 20.20 | 21.80 | 15.20 | 40   | 5-       | -1 |
| C     | B     | A     | POS. | PART No. |    |

|   |  |   |   |              |                 |
|---|--|---|---|--------------|-----------------|
| THIS DRAWING IS A CONTROLLED DOCUMENT.  |  | DWN<br>FLORENCE TAN<br>14SEP04  |  TE Connectivity |              |                 |
| DIMENSIONS:<br>mm   |  | CHK<br>ERIC TNG   |   |              |                 |
| TOLERANCES UNLESS OTHERWISE SPECIFIED:<br>0 PLC ±-<br>1 PLC ±0.30<br>2 PLC ±0.25<br>3 PLC ±0.20<br>4 PLC ±-<br>ANGLES ±3° |  | APVD<br>SEIFONG   | PRODUCT SPEC<br>108-5390  |              | RESTRICTED TO   |
| MATERIAL  |  | FINISH  | APPLICATION SPEC<br>114-5254  | WEIGHT       | SIZE<br>A3      |
|                                      |  |  | CUSTOMER DRAWING  | SCALE<br>4:1 | SHEET<br>2 OF 3 |
|   |  |   |   |              | REV<br>R        |

THIS DRAWING IS UNPUBLISHED.

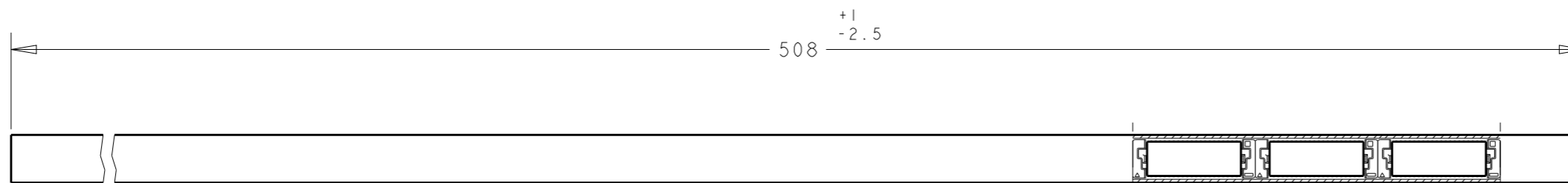
RELEASED FOR PUBLICATION

20

REVISIONS

© COPYRIGHT 20 BY - ALL RIGHTS RESERVED.

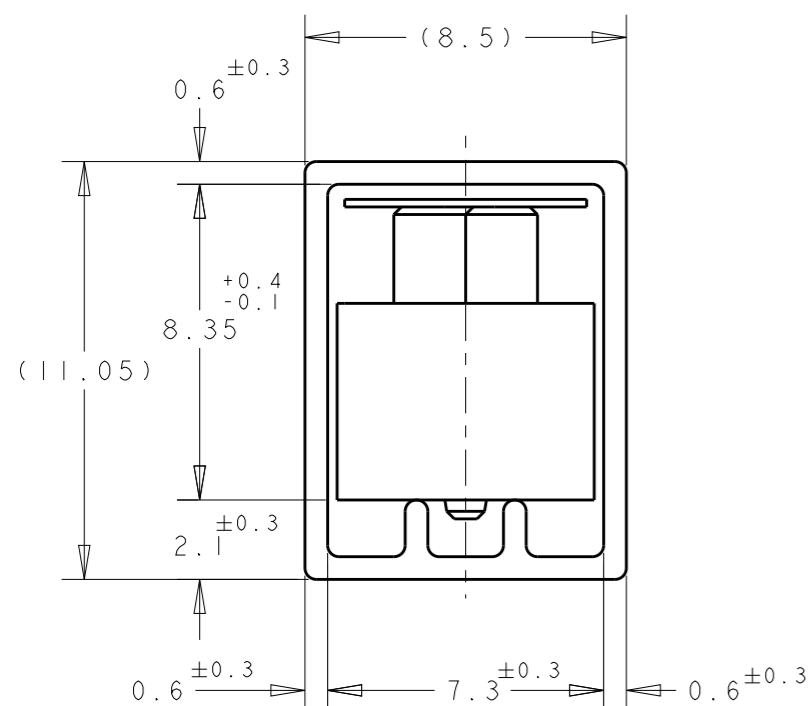
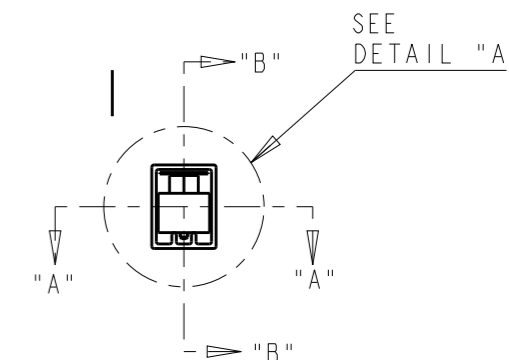
| P | LTR | DESCRIPTION      | DATE | DWN | APVD |
|---|-----|------------------|------|-----|------|
|   |     | SEE SHEET 1 OF 3 |      |     |      |



SECT "A" - "A"



SECT "B" - "B"



DETAIL "A"  
(SCALE 5-1)

WITH POLYIMIDE COVER

LOW HALOGEN

|       |       |       |      |             |
|-------|-------|-------|------|-------------|
| 60.20 | 61.80 | 55.20 | 140  | 9-5179009-6 |
| C     | B     | A     | POS. | PART No.    |

|  |              |                                |   |                         |
|--|--------------|--------------------------------|---|-------------------------|
| THIS DRAWING IS A CONTROLLED DOCUMENT. |              | DWN<br>FLORENCE TAN<br>14SEP04 |   |                         |
| DIMENSIONS:<br>mm                      |              | CHK<br>ERIC TNG                |   |                         |
| TOLERANCES UNLESS OTHERWISE SPECIFIED: |              | APVD<br>SEIFONG                | NAME<br>RECEPTACLE ASSEMBLY 9H TYPE<br>FOR FH 0.8mm PITCH B-T-B CONNECTOR |                         |
| 0 PLC ±-                               |              | PRODUCT SPEC<br>108-5390       | SIZE<br>A3  |                         |
| 1 PLC ±0.30                            |              | APPLICATION SPEC<br>114-5254   | CAGE CODE<br>-  | DRAWING NO<br>C=5179009 |
| 2 PLC ±0.25                            |              | WEIGHT<br>-                    | RESTRICTED TO<br>-  |                         |
| 3 PLC ±0.20                            |              | CUSTOMER DRAWING               | SCALE<br>4:1  | SHEET<br>3 OF 3         |
| 4 PLC ±-                               |              |                                |   | REV<br>R                |
| ANGLES ±3°                             |              |                                |   |                         |
| MATERIAL<br>-1                         | FINISH<br>-2 |                                |   |                         |