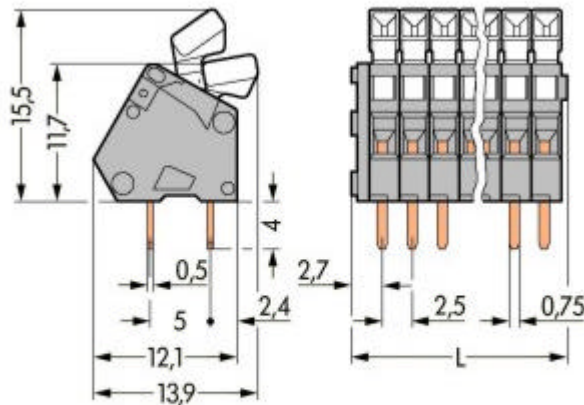


Item no.: 233-203
 Product description: PCB TERMINAL STRIP; 2 SOLDER PINS / POLE; 3 POLE; PIN SPACING 2.5 MM / 0.098 IN; WITH PUSH BUTTONS; FRONT-ENTRY



Packing unit 500 4*125 pieces

Pin spacing from	2,5 mm
Pin spacing from	0,098 in
pole count	3
Cross section from [mm ²]	0,08 mm ²
Cross section to [mm ²]	0,5 mm ²
Cross section from [AWG]	28 AWG
Cross section to [AWG]	20 AWG
Connection method	CAGE CLAMP®CONNECTION
Voltage CSA	150 V
Voltage UL	150 V
Current CSA	4 A
Current UL	4 A
Measured voltage EN	250 V
Measured shock voltage	2,5 kV
Pollution degree	2
Current intensity EN	6 A
Weight	1,287 g
Color	grey
Wiring type	Angled Type
No. of connection Points	3
No. of potentials	3
Height	15,5 mm
Height	0,61 in
Width	9,8 mm
Width	0,386 in
Depth	13,9 mm
Depth	0,547 in
Strip length from	5 mm
Strip length to	6 mm
Strip length	0,22 in

	Admission office	Approval no.	Voltage [V]	Current [A]	Cross section [mm ²]
233-203	BV	11915/A0	250	6	0,08-0,5
233-203	CSA	154112-1465035	150	4	28-20
233-203	CSM	017956	250	4	0,8-0,5
233-203	DEMKO	118980ES	250	4	0,5
233-203	DEMKO	DK96-03660	250	4	0,8-0,5
233-203	DNV	E6998	250	4	0,8-0,5
233-203	GL	17296-00HH	250	4	0,8-0,5
233-203	KEMA	90.6212.01/02	250	6	0,08-0,5
233-203	RMR	99.00007.250	250	4	0,8-0,5
233-203	RosTesT	B09523	250	4	0,8-0,5
233-203	SEMKO	9043004	250	4	0,5
233-203	UL	E45172	150	4	28-20

Sorting criteria: admission office - approval number

© WAGO Kontakttechnik GmbH & Co. KG

Specifications are subject to changes and errors may be expected