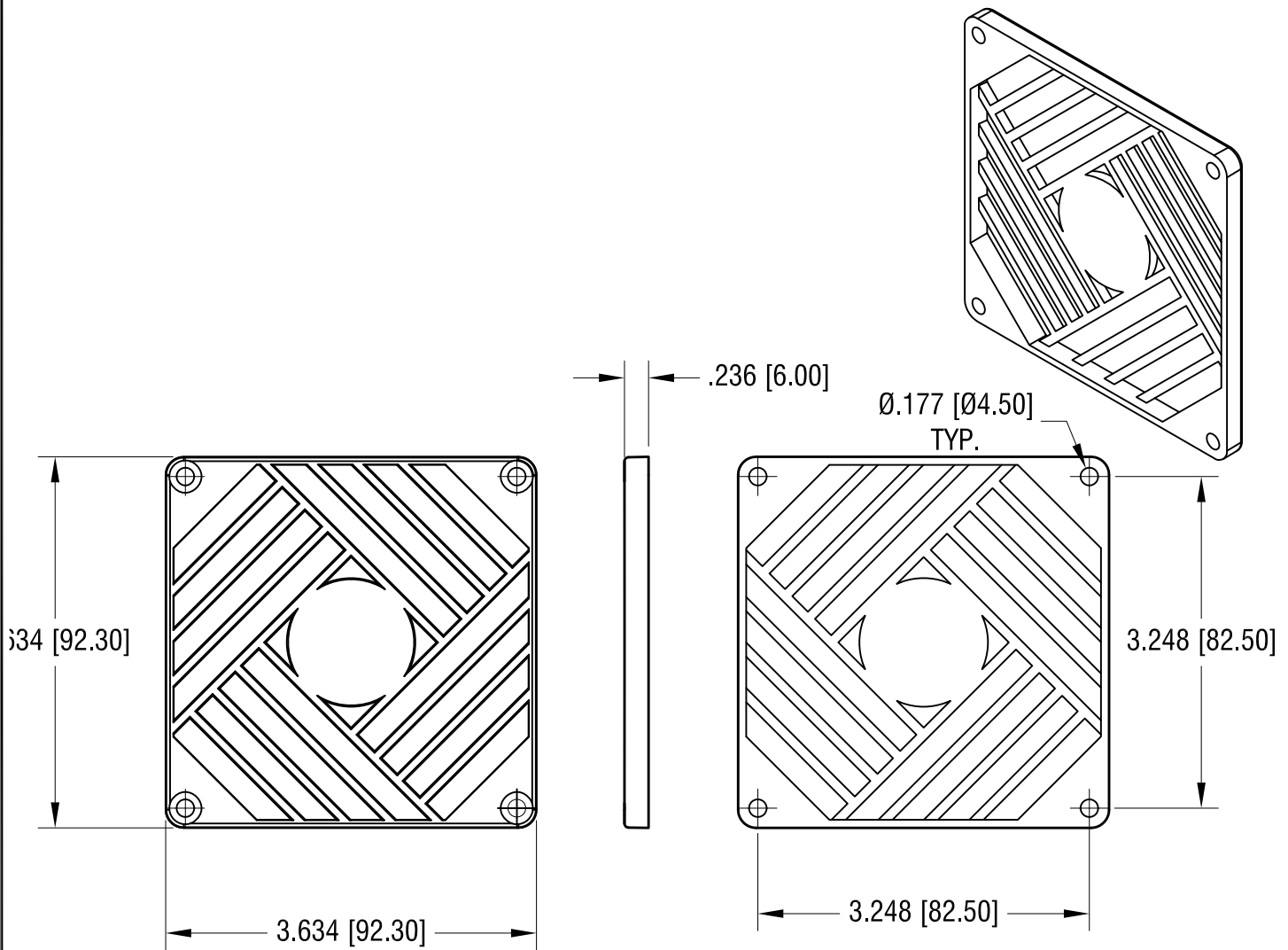


THIS DOCUMENT IS THE PROPERTY OF
KEYSTONE ELECTRONICS CORP. AND
SHALL NOT BE REPRODUCED, DISTRIBUTED
OR USED AS A BASIS FOR MANUFACTURE
WITHOUT PRIOR WRITTEN PERMISSION
FROM KEYSTONE ELECTRONICS CORP.



KEYSTONE ELECTRONICS CORP.			
www.keyelco.com • ASTORIA, N.Y. 11105-2017 • Tel (718) 956-8900			
PART NAME			
FAN GUARD FOR 3.62 DIA. [92.00] DIA, FAN			
MATERIAL			
25% GLASS FILLED NYLON 6/6, UL-HB			
FINISH		DRN BY	DATE
NONE		NT	2.04.13
		APP'D	SCALE
		LN	.6X
TOLERANCES	INCH	[MM]	CODE
DECIMAL	± .010	[± 0.25]	C
ANGULAR	± 1°		DWG NO.
UNLESS OTHERWISE SPECIFIED			8498

DATE	DESCRIPTION	REV.
------	-------------	------