

SR-2 Socket for TGS8-series Gas Sensors

1. Electrical performances

- 1-1. Contact resistance** : Less than 10Mohm at a small current of 1kHz
- 1-2. Insulation resistance** : Over 1000Mohm at DC500V
- 1-3. Voltage proof** : AC700V for a minute

(Test conditions : at Temperature 5 to 35deg.C and humidity 40 to 85%R.H.)

2. Mechanical performances

- 2-1. Insertion force** : Less than 44.1N
- 2-2. Withdrawal force** : 9.8N to 39.2N
- 2-3. Contact gauge retention** : Over 0.83N

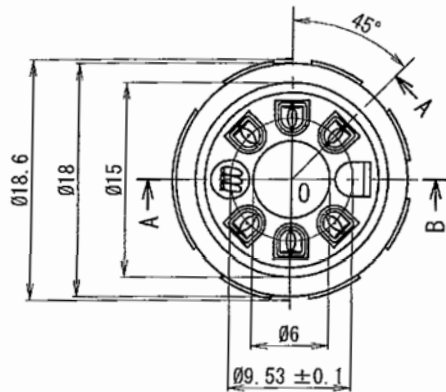
3. Other performance

- 3-1. Durability** : 150 times push in and pull out actions without load
- 3-2. Moisture resistance** : Continuously 96 hours at temperature of 40 ± 2 deg.C and humidity of 90 to 95%R.H.
- 3-3. Dry heat** : Continuously 24 hours at temperature 80 ± 2 deg.C
- 3-4. Cold** : Continuously 24 hours at temperature -20 ± 2 deg.C
- 3-5. Corrosion, salt mist** : Continuously 48 hours on spraying salt water of concentration 5% and temperature 35deg.C

- 4. Operating temperature range** : -10 up to 70deg.C

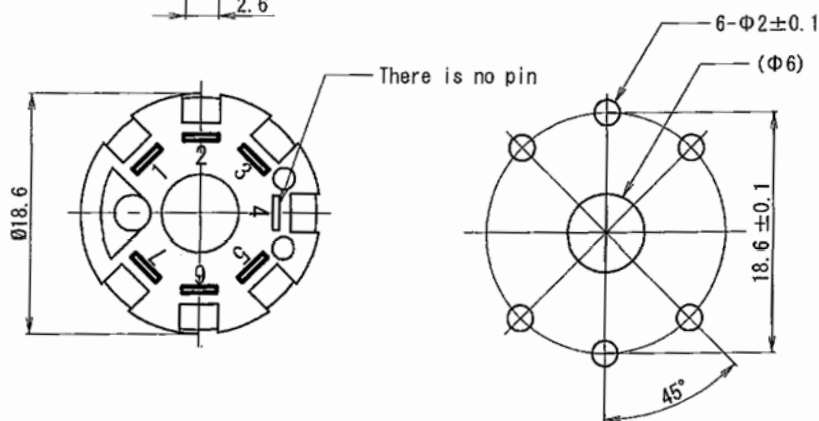
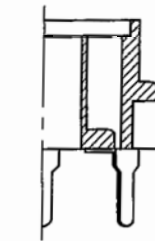
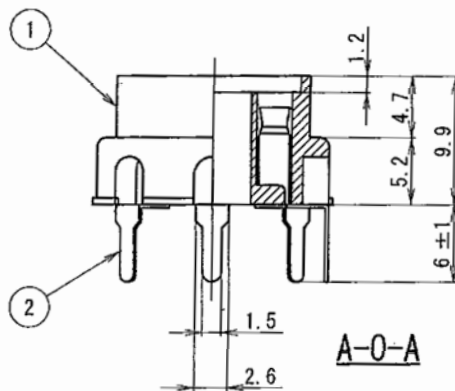
****Compliant with RoHS***

Dimensions



ITEM	PARTS NAME	MATERIAL	QTY
①	Body	PET UL94V-0 Black	1.
②	Contact	PBR t0.25 Sn Plated	6

There is no pin in the No.4 hole.



Install Hole

Unit: mm
Tolerance: ± 0.3