



4-channel analog input; 0 ... 10 VDC; Single-ended

Item No.: 750-459



4-channel analog input; 0 ... 10 VDC; Single-ended

Marking

RoHS ✓
Compliant

Business data

Supplier	WAGO
Item no.	750-459
GTIN / EAN	4045454471507
Content	1
Order amount	1
Customer item number	

Notes

Item description: The analog input module processes signals of a standard magnitude 0–10V. The input signal is electrically isolated and is transmitted with a resolution of 12 bits. The internal system supply powers the module. The input channels of the module have one common ground potential.

Technical data

Miscellaneous

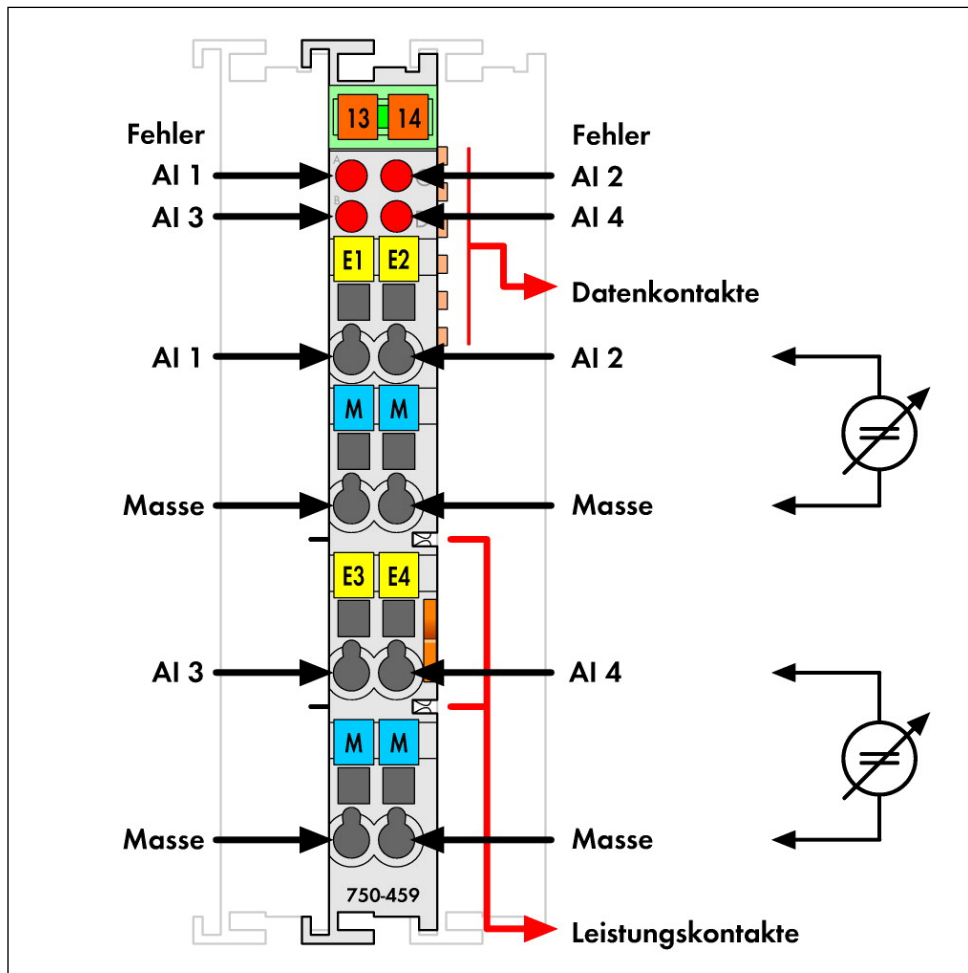
Packaging type	BOX
Number of analog inputs	4
Total number of channels (module)	4
Type of signal	Voltage

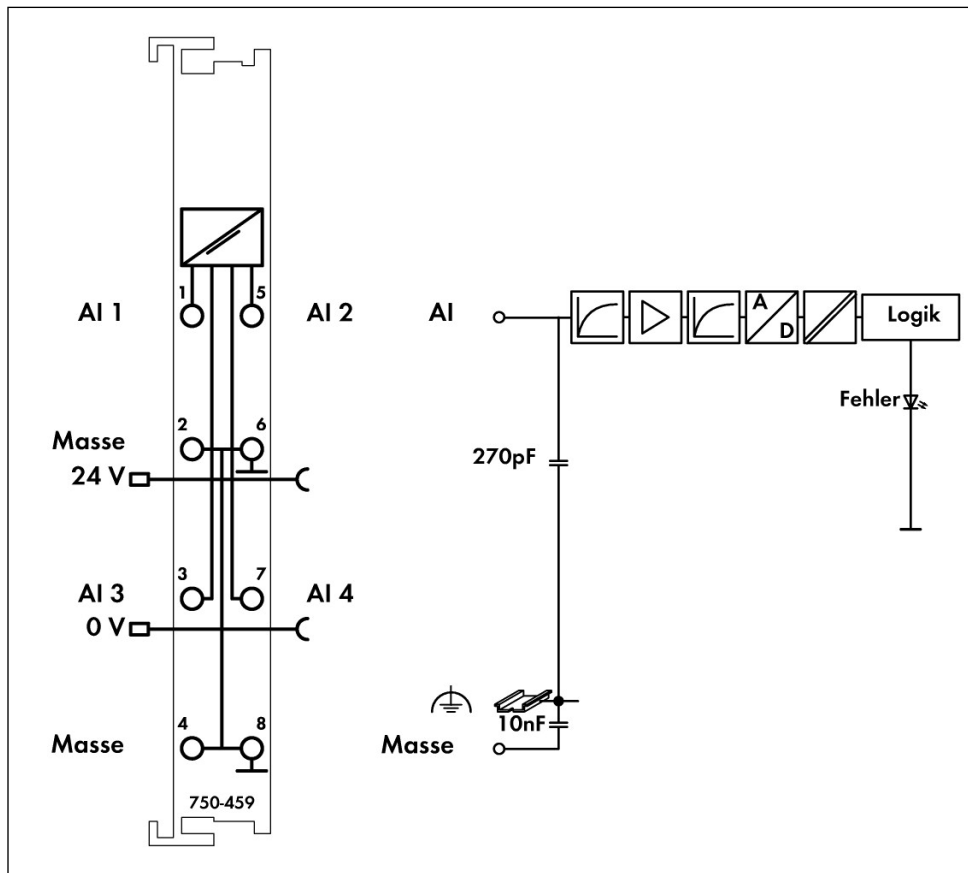
Technical data	
Type of signal voltage	DC 0 ... 10 V
Sensor connection	4 x (2-conductor)
Input voltage (max.)	±40 V
Signal characteristic	Single-ended
Resolution [bit] [Bit]	12 [Bit]
Bit width	4 x 16-bit data; 4 x 8-bit control/status (optional)
Internal resistance [k]	100 [k]
Conversion time (typ.) [ms]	10 [ms]
Mess-/Ausgabefehler, Bezugstemperatur [°C]	25 [°C]
Mess-/Ausgabefehler, Abweichung [% of the full scale value]	±0.1 [% of the full scale]
Temperaturkoeffizient [%/K vom größten Messbereich]	±0.01 [%/K vom größten Mess]
System supply voltage	DC 5 V; via data contacts
Current consumption, system supply [mA]	65 [mA]
Field supply voltage	DC 24 V; via power jumper contacts
Isolation	500 V system/supply
Number of incoming power jumper contacts	2
Number of outgoing power jumper contacts	2
Number of connections: Inputs/outputs	8
Connection technology: inputs/outputs	CAGE CLAMP®
Connection type (1)	Ein-/Ausgänge
Solid conductor	0.08 ... 2.5 mm ² / 28 ... 14 AWG
Fine-stranded conductor	0.08 ... 2.5 mm ² / 28 ... 14 AWG
Strip length	8 ... 9 mm / 0.31 ... 0.35 Inch
Width	12 mm / 0.472 Inch
Height	69.8 mm / 2.748 Inch
Height from upper-edge of DIN-35 rail	62.6 mm / 2.465 Inch
Depth	100 mm / 3.937 Inch
Type of mounting	Carrier rail 35 x 15
Color	light gray
Fire load [MJ]	1.504 [MJ]
Weight [g]	50.826 [g]
Conformity marking	CE
Ambient temperature (operation)	0 ... 55 °C
Ambient temperature (storage)	-25 ... 85 °C

Technical data	
<i>Degree of protection</i>	<i>IP20</i>
<i>Relative air humidity (no condensation) [%]</i>	<i>95 [%]</i>
<i>Vibration resistance</i>	<i>acc. to IEC 60068-2-6</i>
<i>Shock resistance</i>	<i>acc. to IEC 60068-2-27</i>
<i>EMC immunity to interference</i>	<i>acc. to EN 61000-6-2, marine applications</i>
<i>EMC emission of interference</i>	<i>acc. to EN 61000-6-4, marine applications</i>
<i>Zulässige Schadstoffkonzentration H2S bei einer r</i>	<i>10 [ppm]</i>
<i>Zulässige Schadstoffkonzentration SO2 bei einer r</i>	<i>25 [ppm]</i>
<i>Product Family</i>	<i>750/753 Series I/O-System</i>
<i>Main product function</i>	<i>Analog input</i>
<i>Product type</i>	<i>Analog modules</i>

Images & drawings







Address

WAGO Kontakttechnik GmbH & Co. KG

Hansastr. 27

32423 Minden

Telefon: 0571/887-0

Fax: 0571/887-169

<http://www.wago.com>

© WAGO Kontakttechnik GmbH & Co. KG

Technische Änderungen und Irrtümer vorbehalten.