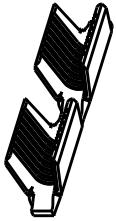
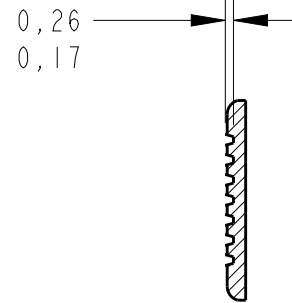
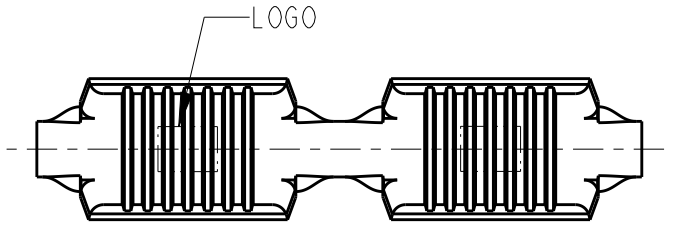


REVISIONS

P	LTR	DESCRIPTION	DATE	DWN	APVD
	T4	REDRAWN AND REV. BY ECO16-005110	12JULY2016	HC	WLS
	T5	REVISED BY ECO 16-010925	25JULY2016	HC	WLS

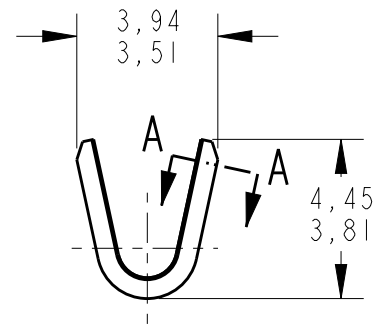
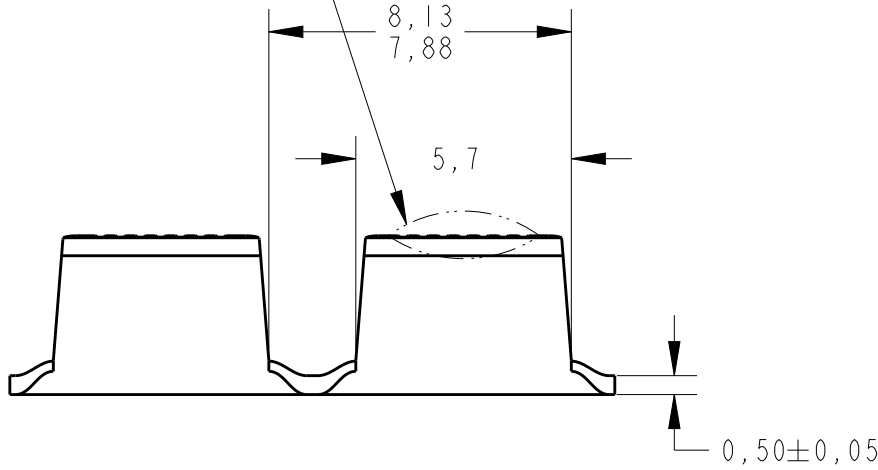


SCALE 2:1



SECTION A-A

SMALL DISTORTION PERMITTED



1 - NOT FOR USE WITH ALUMINUM MAGNET WIRE, USE WITH COPPER MAGNET WIRE ONLY.

2 - PACKAGING 20.000 PCS/REEL WITH PAPER INTERLEAVE - 3 REELS/BOX.

WIRE RANGE  
1500-5000 CMA


—	BRASS	1-280002-1	2	1
TIN PLATED	BRASS	280002-2		
—	BRASS	280002-1	1	
FINISH	MATERIAL	PART NUMBER		

RELEASED FOR PUBLICATION

ALL RIGHTS RESERVED.

THIS DRAWING IS UNPUBLISHED.

© COPYRIGHT copyright\_dBTe

DIMENSIONS: mm		DWN H.C. CANTERI 21 JAN 2015	MATERIAL -		FINISH -
TOLERANCES UNLESS OTHERWISE SPECIFIED:		CHK W.L. STEFANI 21 JAN 2015	 TE Connectivity		
0 PLC ±-		PRODUCT SPEC -			
1 PLC ±0,4		APPLICATION SPEC -	SIZE A4	CAGE CODE C-280002	DRAWING NO -
2 PLC ±-		WEIGHT -	RESTRICTED TO -		
3 PLC ±-		CUSTOMER DRAWING			
4 PLC ±-		SCALE 5:1		SHEET 1 OF 1	REV T5
ANGLES ±-					