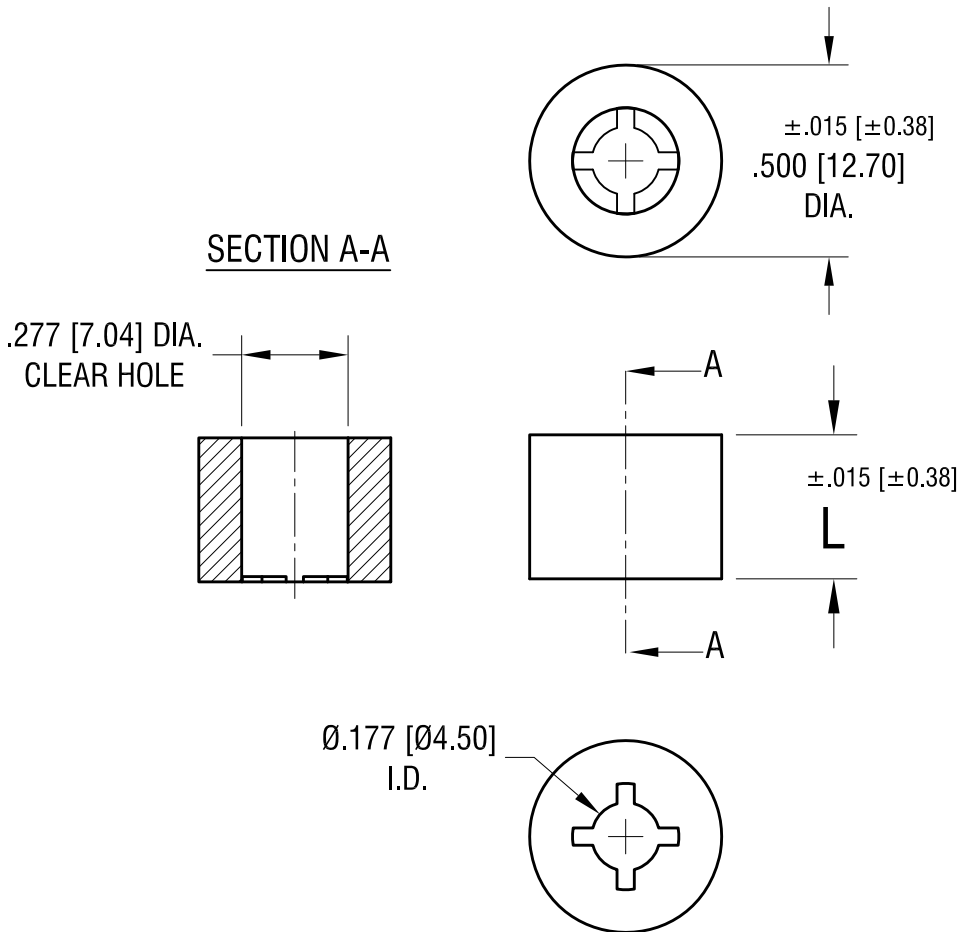
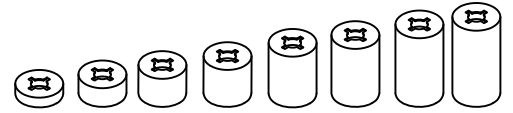


THIS DOCUMENT IS THE PROPERTY OF  
KEYSTONE ELECTRONICS CORP. AND  
SHALL NOT BE REPRODUCED, DISTRIBUTED  
OR USED AS A BASIS FOR MANUFACTURE  
WITHOUT PRIOR WRITTEN PERMISSION  
FROM KEYSTONE ELECTRONICS CORP.

**ACTUAL SIZE**



PART NO.	'L' DIM.
2391	.125 [3.17]
2392	.250 [6.35]
2393	.375 [9.52]
2394	.500 [12.70]
2395	.625 [15.87]
2396	.750 [19.04]
2397	.875 [22.21]
2398	1.00 [25.40]

**KEYSTONE ELECTRONICS CORP.**

www.keyelco.com • ASTORIA, N.Y. 11105-2017 • Tel (718) 956-8900

PART NAME		# 10 RETAINING SPACER	
MATERIAL		NYLON 6/6	
FINISH	-	DRN BY	NT
		APP'D	LN
		DATE	3.15.11
		SCALE	2X
TOLERANCES	INCH [MM]	CODE	DWG NO.
DECIMAL	± .005 [± 0.13]	C/M	2391-2398
ANGULAR	± 1°		
UNLESS OTHERWISE SPECIFIED			

12.20.12 CHANGE AS PER ECN 12-161

A

DATE DESCRIPTION

REV.