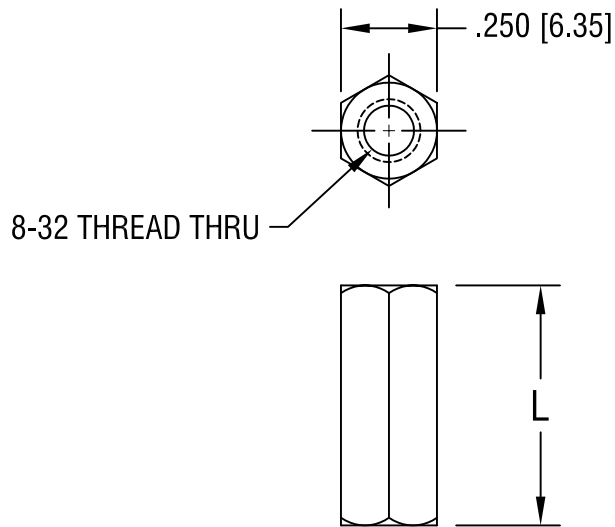


THIS DOCUMENT IS THE PROPERTY OF
KEYSTONE ELECTRONICS CORP. AND
SHALL NOT BE REPRODUCED, DISTRIBUTED
OR USED AS A BASIS FOR MANUFACTURE
WITHOUT PRIOR WRITTEN PERMISSION
FROM KEYSTONE ELECTRONICS CORP.



PART NO.	'L' DIM.
2215	.250 [6.35]
2216	.375 [9.52]
2217	.500 [12.70]
2218	.750 [19.05]
2219	1.000 [25.4]

KEYSTONE ELECTRONICS CORP.			
ASTORIA, N.Y. 11105-2017			
PART NAME			
THREADED HEX STANDOFF			
MATERIAL			
ALUMINUM			
FINISH		DRN BY	DATE
CLEAR IRIDITE		BOONE	2.13.98
		APPD	SCALE
		LN	2X
TOLERANCES		INCH	[MM]
DECIMAL		$\pm .005$	[± 0.15]
ANGULAR		$\pm 1^\circ$	
UNLESS OTHERWISE SPECIFIED		CODE	DWG NO.
		C/M	2215-2219

DATE	DESCRIPTION	REV.