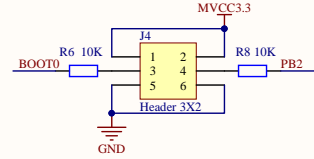
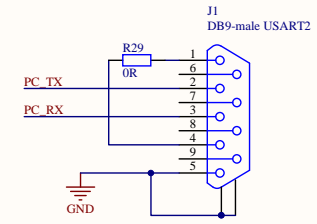


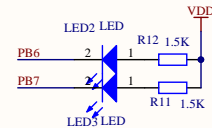
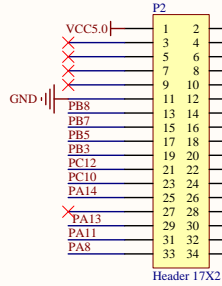
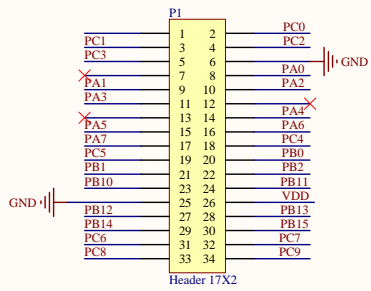
POWER



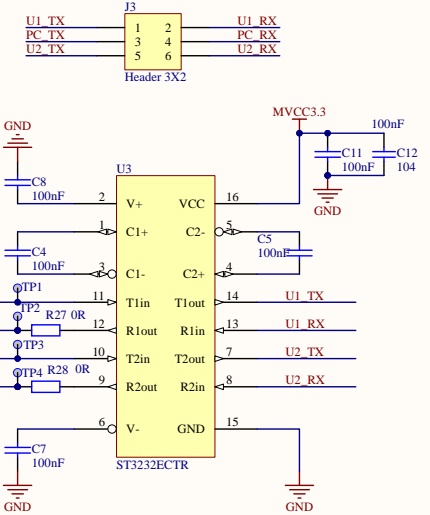
BOOT



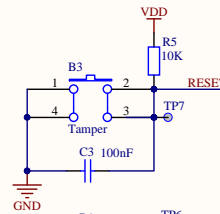
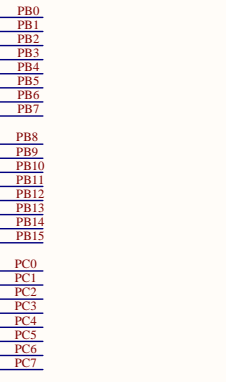
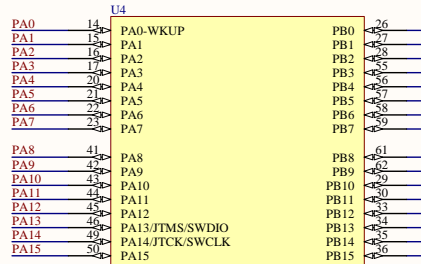
J1 DB9-male USART2



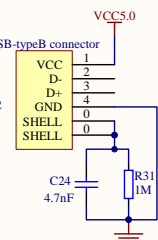
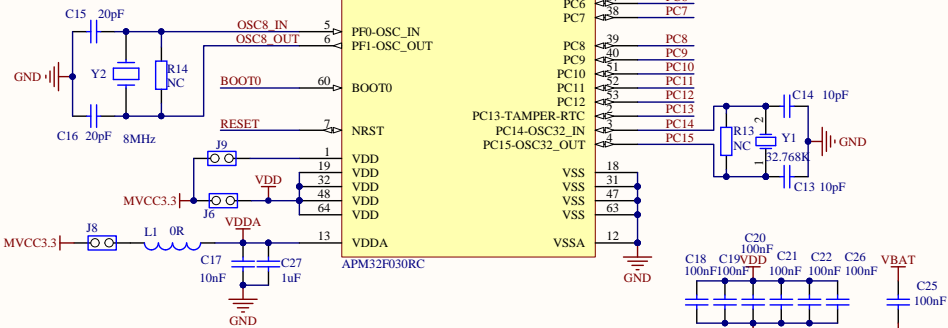
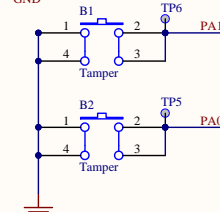
LED



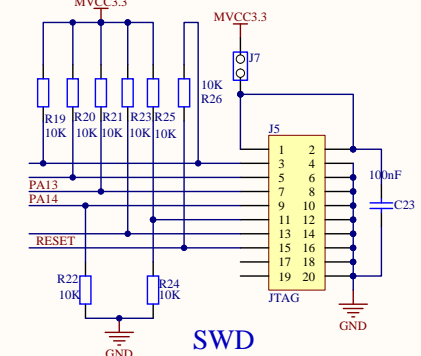
USART



KEY



POWER_IN



SWD