

THIS DRAWING IS UNPUBLISHED.

RELEASED FOR PUBLICATION

20

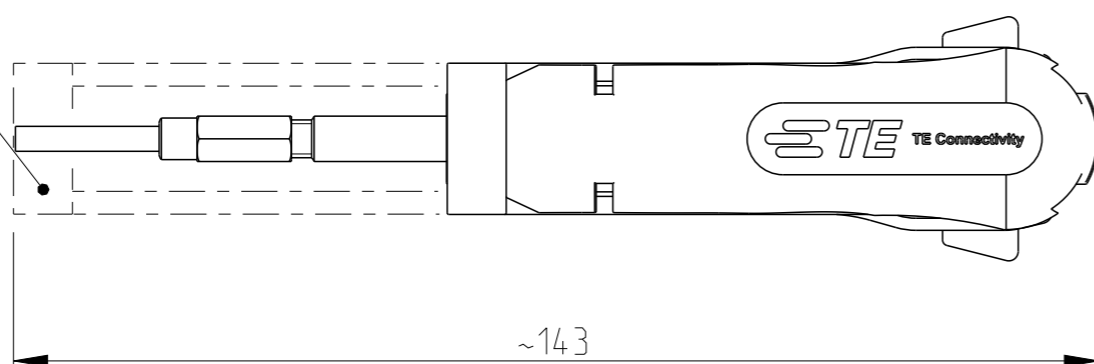
© COPYRIGHT 20 BY -

ALL RIGHTS RESERVED.

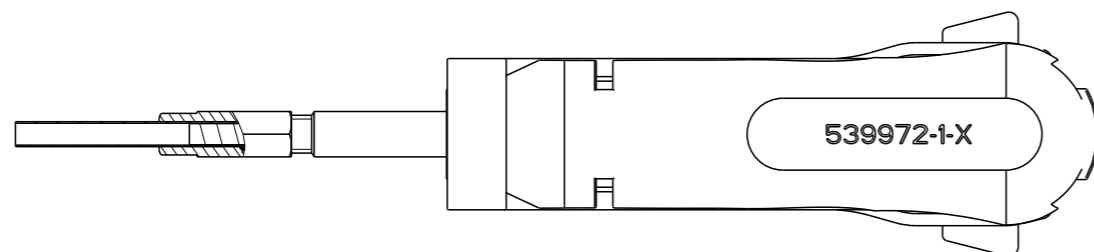
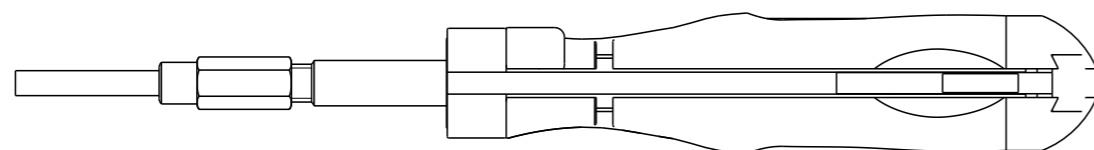
REVISIONS

P	LTR	DESCRIPTION	DATE	DWN	APVD
	A4	ECR-16-013462	21SEP2016	KH	BM

COVER SLIDE  
Schutzschieber

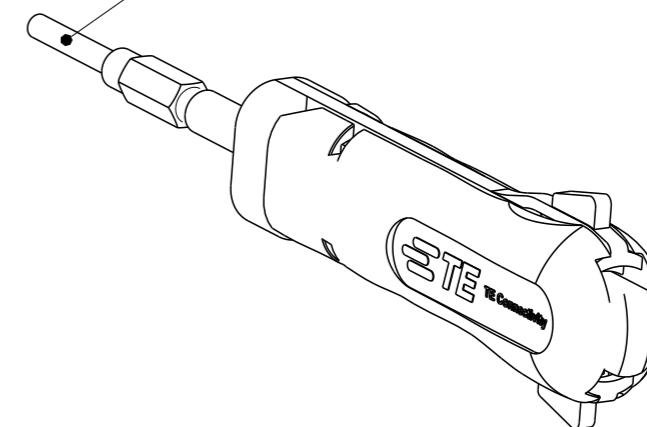


~143





539972-1-X

EXTRACTION TUBE (SPARE PART)  
5-1579007-0



FOR CONTACTS:  
UMNL PIN/SOCKET  
PIN/SOCKET TYPE III  
PIN/SOCKET CI 2  
SOCKET 1.5mm

( REPLACEMENT FOR TOOLS 150807-0,518082-1,539964-1,725840-1,-2, 876047-1 )

THIS DRAWING IS A CONTROLLED DOCUMENT.		DWN J. ZAJICEK	20DEC2003	 TE Connectivity	
DIMENSIONS: mm		CHK -	APVD -		
		TOLERANCES UNLESS OTHERWISE SPECIFIED:		NAME EXTRACTION TOOL Entriegelungswerkzeug	
MATERIAL -		FINISH -		PRODUCT SPEC -	
		0 PLC ± 1 PLC ± 2 PLC ± 3 PLC ± 4 PLC ± ANGLES ±		APPLICATION SPEC -	
		WEIGHT -		SIZE A3	CAGE CODE 00779
		CUSTOMER DRAWING		DRAWING NO 539972-1	RESTRICTED TO -
		SCALE 1:1		SHEET 1 OF 1	REV A4