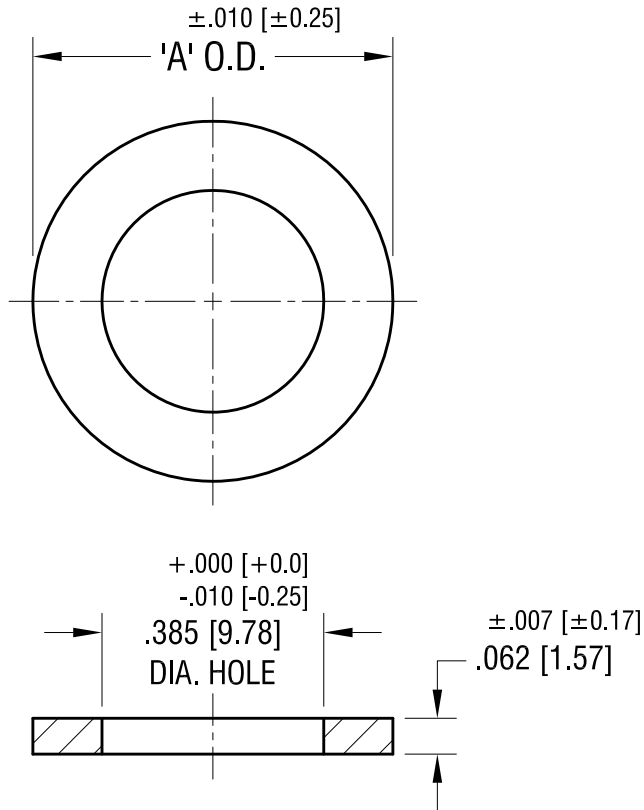


THIS DOCUMENT IS THE PROPERTY OF
KEYSTONE ELECTRONICS CORP. AND
SHALL NOT BE REPRODUCED, DISTRIBUTED
OR USED AS A BASIS FOR MANUFACTURE
WITHOUT PRIOR WRITTEN PERMISSION
FROM KEYSTONE ELECTRONICS CORP.



P/N	'A' O.D. DIM.
3225	.500 [12.70]
3226	.625 [15.87]
3227	.750 [19.05]
3228	1.000 [25.40]

KEYSTONE ELECTRONICS CORP.			
ASTORIA, N.Y. 11105-2017			
PART NAME		FLAT WASHER	
MATERIAL		NYLON	
FINISH	-	DRN BY	BOONE
		APP'D	LN
		DATE	8.23.82
		SCALE	3X
TOLERANCES	INCH [MM]	CODE	DWG NO.
DECIMAL	$\pm .005$ [± 0.15]	C/M	3225-3228
ANGULAR	$\pm 1^\circ$		
UNLESS OTHERWISE SPECIFIED			

9.15.94	CHANGE AS PER ECR 94-053	A
DATE	DESCRIPTION	REV.