

OMNI-310D

10.4" OMNI Modular Touch/ LCD Panel Kit

OMNI Series : Modular Builder - Panel Kit



Features

- 10.4" (800 x 600) OMNI Modular Touch/ LCD Kit
- Supports Projected Capacitive Multi Touch or Resistive Touch Screen
- IP65 Compliant Aluminum Front Bezel

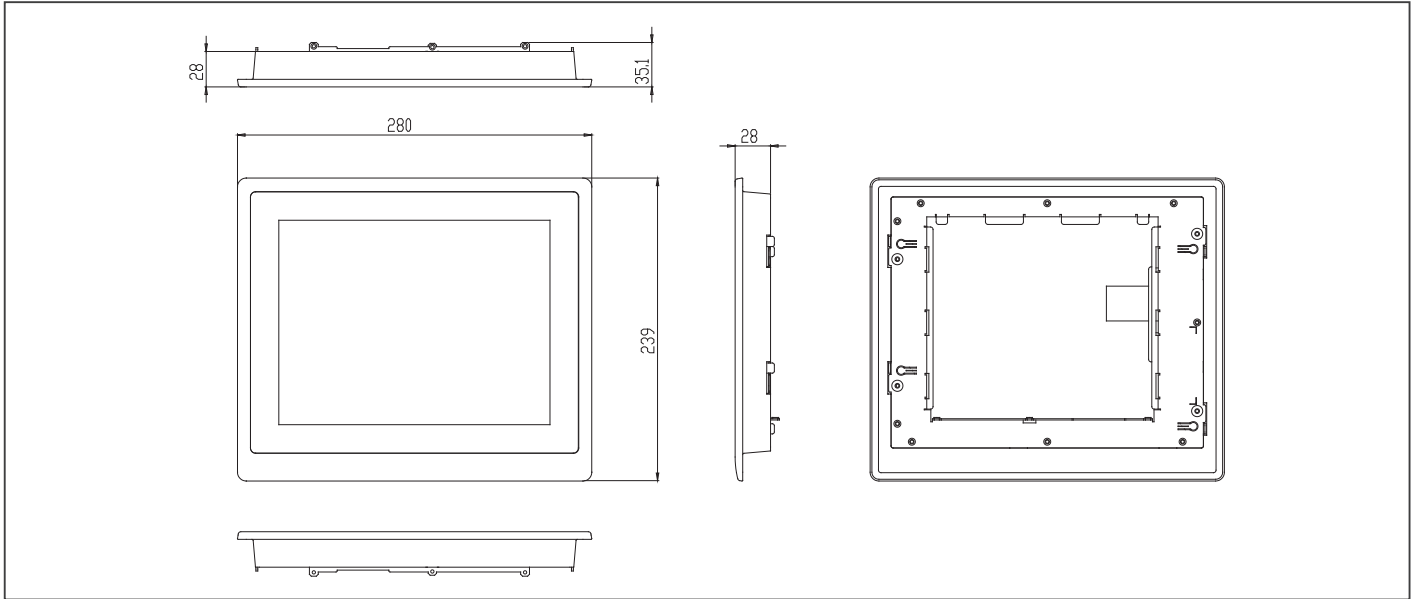


Specifications

Mechanical	
Construction	Aluminum Front Bezel
Mounting	Panel Mount
Dimension	11.02" x 9.41" x 1.1" (280mm x 239mm x 28mm)
Carton Dimension	16.34" x 7.05" x 15.39" (415mm x 179mm x 391mm)
Gross Weight	3.08 lb (1.4 kg)
Environmental	
Operating Temperature	14°F ~ 131°F (-10°C ~ 55°C) with 0.5 m/s airflow
Storage Temperature	-4°F ~ 158°F (-20°C ~ 70°C)
Storage Humidity	90% @40°C; non-condensing
Vibration	1 Grms/ 5~ 500Hz/ operation – with HDD
Shock	15G peak acceleration (11 msec. duration) – with HDD
EMC	CE/FCC Class A
Power Supply	
DC input	—
LCD	
Display Type	10.4" TFT-LCD, LED
Max Resolution	800 x 600
Max. Colors	16.2M colors
Luminance	230 cd/m ²
Viewing Angle	120° (H), 100° (V)
Back Light	LED
Back Light MTBF (hours)	50,000
Touch Screen	
Type	P-CAP/ Full-flap resistive
Light Transmission	90%
Others	1. Connect with OMNI-Box Kit 2. Connect with LVDS/ USB Type Touch

Dimension

Unit: mm



Ordering Information

Part Number	Display Type	Max Resolution	Luminance	View Angle	Backlight MTBF (Hours)	Temp.	Touch	Other
OMNI-310DHTT-KIT-A1-1011	10.4" TFT-LCD	800 x 600	230 cd/m ²	120(H), 100(V)	50,000	-10°C ~ 55°C	Full Flat Resistive Touch Screen	Support OMNI CPU BOX kit
OMNI-310DHTT-KIT-A2-1011	10.4" TFT-LCD	800 x 600	230 cd/m ²	120(H), 100(V)	50,000	-10°C ~ 55°C	Projective Capacitive Touch	Support OMNI CPU BOX kit