

CUSTOMER PROOFING/CONFORMANCE FORM



Our commitment. Your advantage

Tyco Electronics Idento GmbH

Paul-Ehrlich-Str. 23
63322 Rödermark

Telephone: +49(0) 6074 8908 (0)
Facsimile: +49(0) 6074 8908 82
E.mail: idento@tycoelectronics.com
Website: www.idento.de

Attention of: <i>Tyco Electronics</i>	
Drawing No.:	
Tyco Part: -	
Name:	Signature:
Date:	

PLEASE NOTE

This form is an important part of our contract review and your order cannot be processed further until the necessary approval has been obtained.

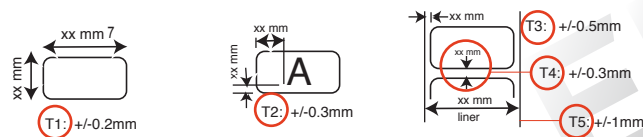
We wish to provide a quality service to you and are conscious that a lengthy delay at this stage could affect any quoted delivery requirements. Delays in excess of 2 working days could result in delivery times being untenable. Please indicate below your acceptance and/or amendments and return this form as soon as is practicable.

Any amendments to the original design will be charged out @ Euros 40 each conformance to cover administration

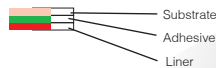
Orders which remain on conformance with a customer for more than 2 weeks are placed in quarantine this may result in no further action or possible cancellation, however please be assured that we will attempt to contact you before this action

LABEL SPECIFICATION

These are our standard tolerances unless specified by customers drawing



Label build detail



	Description	Material	Nom. Thickness	Adhesive Type	Part number
	EET-2576V-4-W	PV837 Polyvinylchlorid gelb	0,09mm	Acrylat, permanent	8-1768018-8
	EET-2576P-4	PE233 Polyester elektrogelb	0,05mm	Acrylat, permanent	8-1768018-4
	EET-2576P-8A	PE230 Polyester silber	0,05mm	Acrylat, permanent	8-1768018-5
	EET-2576P-9	PE231 Polyester weiß	0,05mm	Acrylat, permanent	8-1768018-6
	EET-2576PY-9	PY001 Polyethylen weiß	0,1mm	Acrylat, permanent	8-1768018-7

TITLE	REV A1	DRAWN BY Inka Peitz 19/01/10	DRAWING No. -	
MODIFICATION		DATE	PLAN No. -	
APPROVED BY		DATE	FOLDER Rödermark Jan 10	PAGE 1 Customer

PRESENTATION

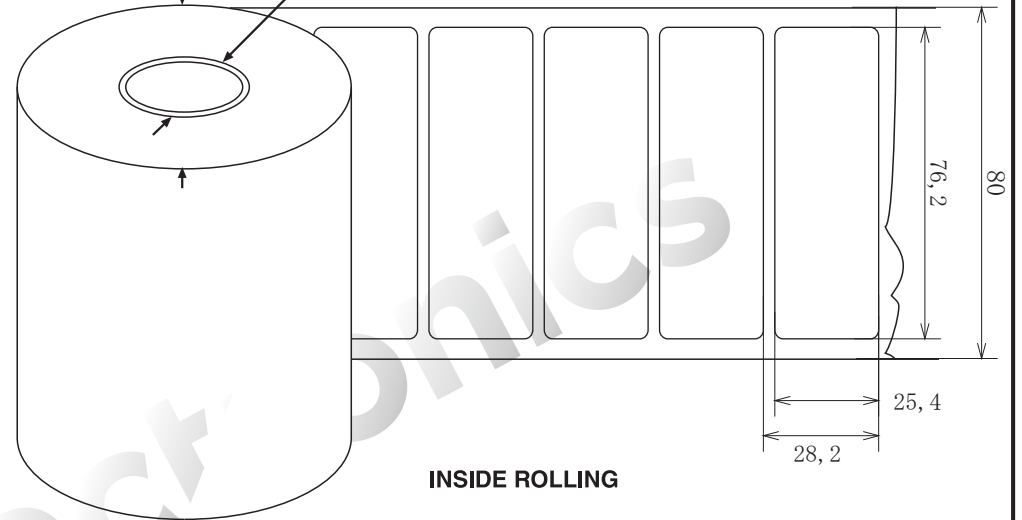
All dimensions in mm

PER ROLL QTY : 3000

MAXI DIAM : /

CORE: 76 mm

VIEWS PER WIDTH : 1



PRINTING / DIMENSION 1:1

