



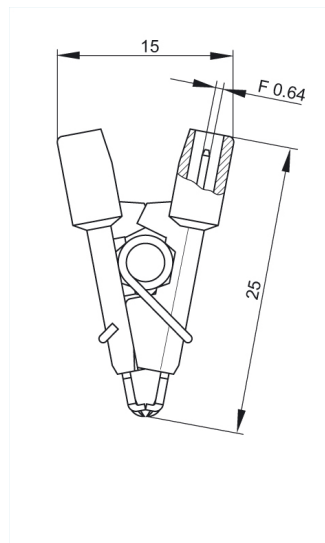
## MICRO-SMD CLIP 1

Industrial Connectors:Measuring and Testing Equipment:Alligator clips:0.64 mm system

### Product description

Description	Spring loaded, two-pole test clip, specially designed for SMD components. Gold-plated, hardened tip for testing circuits, flat-nosed grips for individual components; notch for gripping thin wires. Balanced spring force permits testing of large and small components; 0.64 mm pin connection; electrically insulated spring.
Type	MICRO-SMD CLIP 1
Order No.	972 416-100
System	0,64 mm system
Clamping range	0 mm to 8 mm
Housing Color	black

### Drawing



### Technical data

Type of contact	pin
Type of termination	2 x 0,64 mm diameter pin
Rated voltage	DC 60 V
Contact resistance	6 mOhm

### Material

Contact material	copper beryllium
Contact surface material	gold-plated
Housing material	PBT

### Environmental conditions

Temperature range	-30 °C to +100 °C
-------------------	-------------------

### Inflammability class

Housing	94 HB
---------	-------