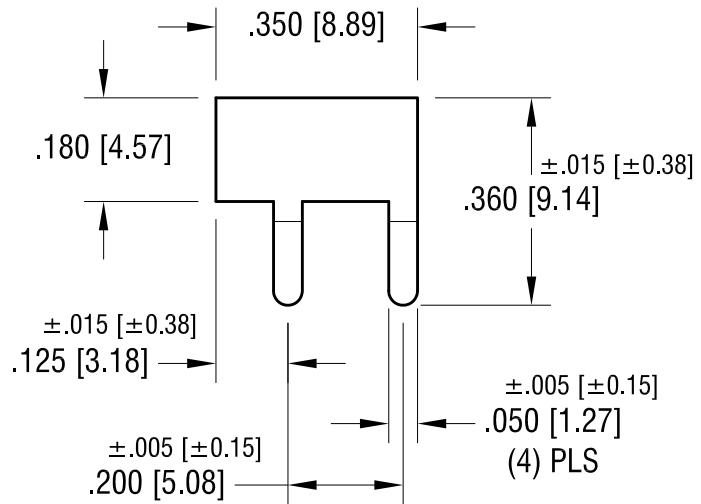
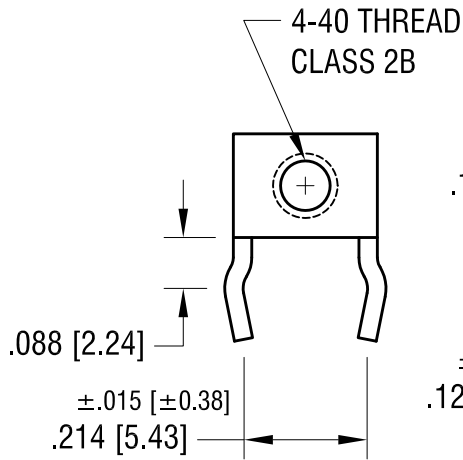
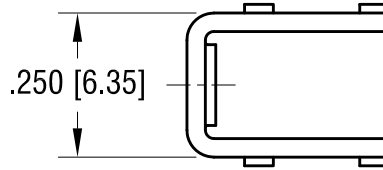
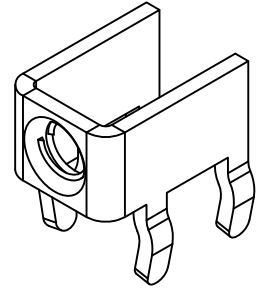
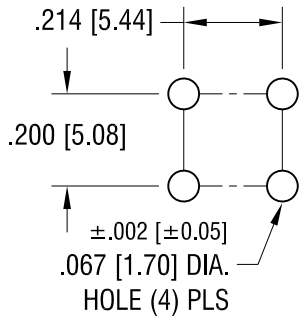


THIS DOCUMENT IS THE PROPERTY OF
KEYSTONE ELECTRONICS CORP. AND
SHALL NOT BE REPRODUCED, DISTRIBUTED
OR USED AS A BASIS FOR MANUFACTURE
WITHOUT PRIOR WRITTEN PERMISSION
FROM KEYSTONE ELECTRONICS CORP.

MOUNTING DETAIL



KEYSTONE ELECTRONICS CORP.

www.keyelco.com • ASTORIA, N.Y. 11105-2017 • Tel (718) 956-8900

PART NAME

THREADED PC MOUNT BRACKET/TERMINAL

MATERIAL

.032 [0.81] TH'K BRASS

FINISH

MATTE TIN PLATE

DRN BY

BOONE

DATE

10.10.06

APP'D

LN

SCALE

3X

TOLERANCES

INCH [MM]

DECIMAL ±.010 [±0.25]

ANGULAR ± 1°

UNLESS OTHERWISE SPECIFIED

CODE

C

DWG NO.

7774

8.27.09

CHANGE AS PER ECN 09-122

B

1.19.07

CHANGE AS PER ECN 07-006

A

DATE

DESCRIPTION

REV.