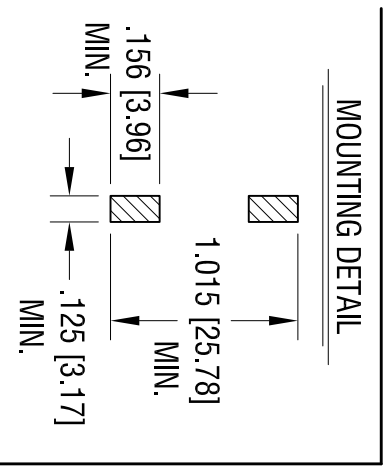
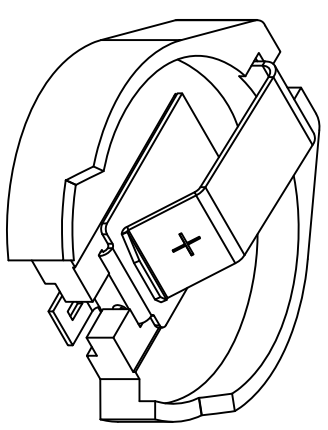
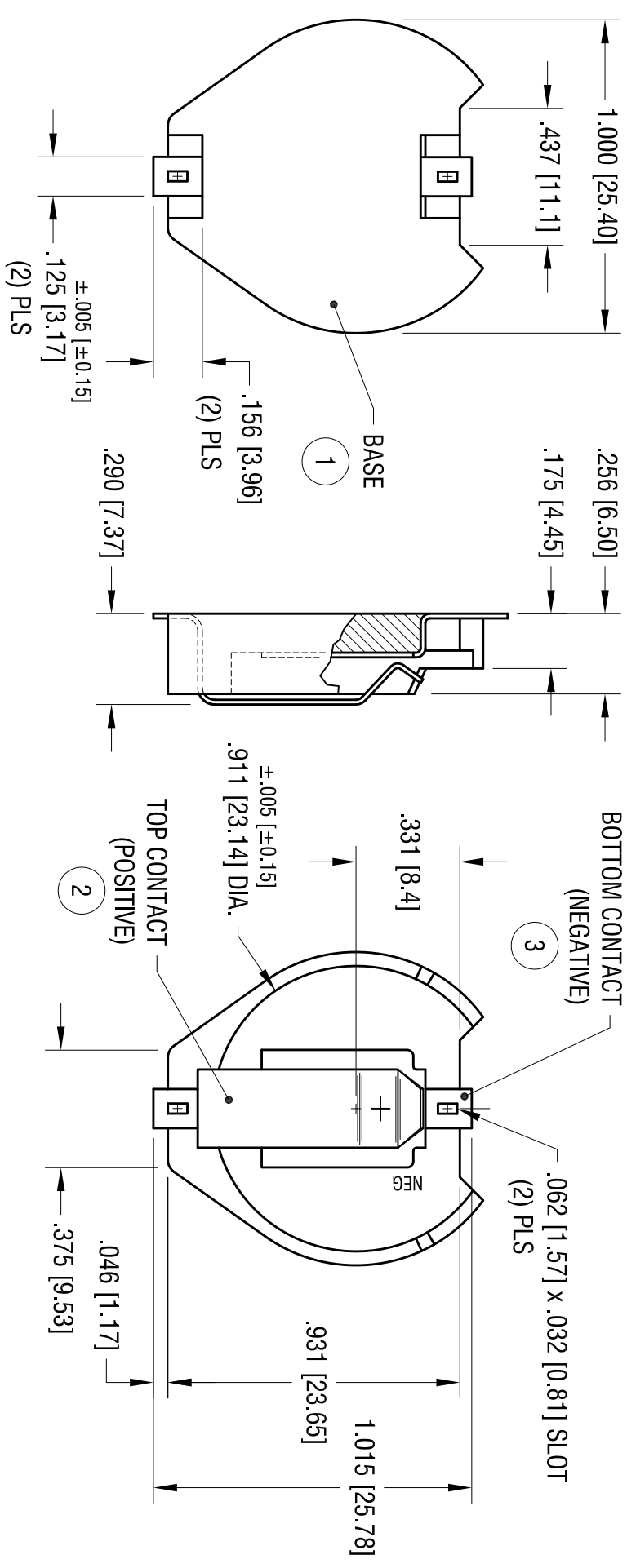


DATE	DESCRIPTION	REV.
8.12.11	CHANGE AS PER ECN 11-104	A



ITEM	DESCRIPTION	MATERIAL/FINISH
1	BASE BLACK	HIGH TEMPERATURE NYLON (UL 94V-0)
2	TOP CONTACT	SPRING STEEL .015 [0.38] THK
3	BOTTOM CONTACT	GOLD FLASH PLATE

KEYSTONE ELECTRONICS CORP.
 www.keystec.com • ASTORIA, N.Y. 11105-2017 • Tel (718) 956-8900

PART NAME: DUAL 23mm BATTERY HOLDER, SMT
 MATERIAL: AS NOTED

FINISH: AS NOTED

TOLERANCES	INCH	[MM]	CODE
DECIMAL	± .010	[± 0.25]	C
ANGULAR	± 1°		

UNLESS OTHERWISE SPECIFIED

DRN BY	NT	DATE	3.19.09
APP'D	LN	SCALE	2X

1091

THIS DOCUMENT IS THE PROPERTY OF KEYSTONE ELECTRONICS CORP. AND SHALL NOT BE REPRODUCED, DISTRIBUTED OR USED AS A BASIS FOR MANUFACTURE WITHOUT PRIOR WRITTEN PERMISSION FROM KEYSTONE ELECTRONICS CORP.