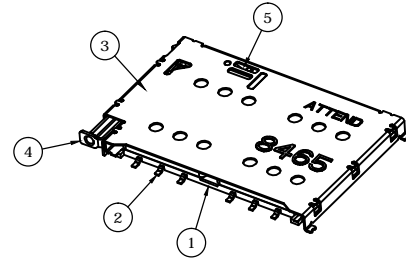


REV.	DESCRIPTION	DRAWN	DATE
1	INITIAL RELEASE	FROS	2019/04/15
2	ECR2300001	TIM	2023/01/04

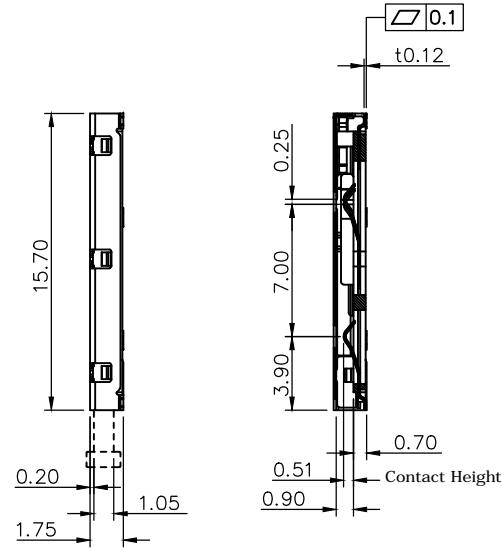
SPECIFICATION:

1. ELECTRICAL
 - 1.1 Current Rating: 0.5A max.
 - 1.2 Voltage Rating: 10VAC/DC
 - 1.3 Contact Resistance: 50mΩ
 - 1.4 Insulation Resistance: 1000MΩ
 - 1.5 Dielectric Withstanding Voltage: 500VAC
2. MECHANICAL
 - 2.1 Durability: 2,000 Cycles
 - 2.2 Tray Insertion Force: 10N max.
 - 2.3 Tray Extraction Force: 3N min.
 - 2.4 Contact Normal Force: 20gf min. per pin
3. ENVIRONMENTAL
 - 3.1 Operating temperature range: -40°C~+105°C
 - 3.2 Storage temperature range: -40°C~+105°C
4. SOLDER ABILITY
 - 4.1 Recommended IR-Reflow Temperature: 260°C

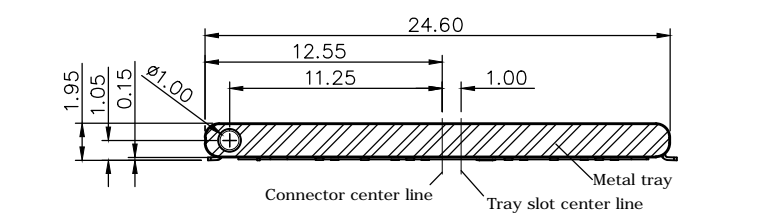
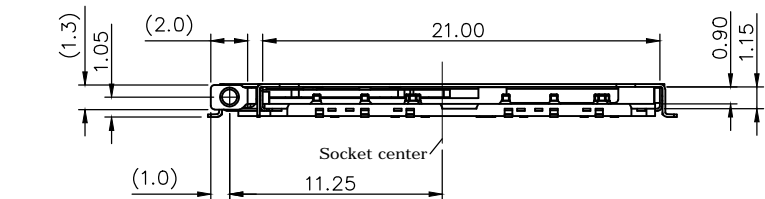
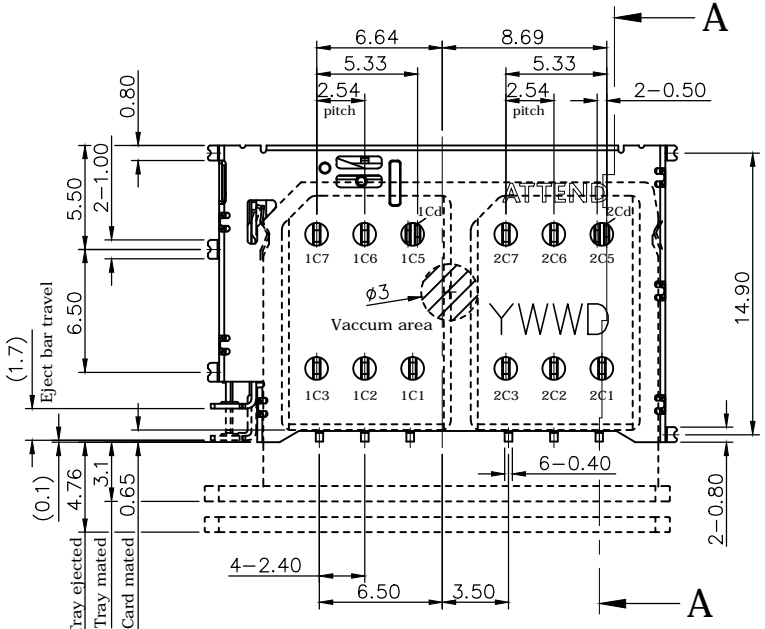
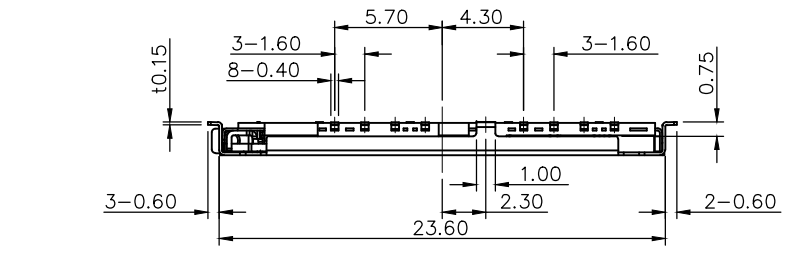
Date code: YWWD
 Y= year 0~9
 WW=Week 1~52
 D= 1~7




SCALE 1.5/1



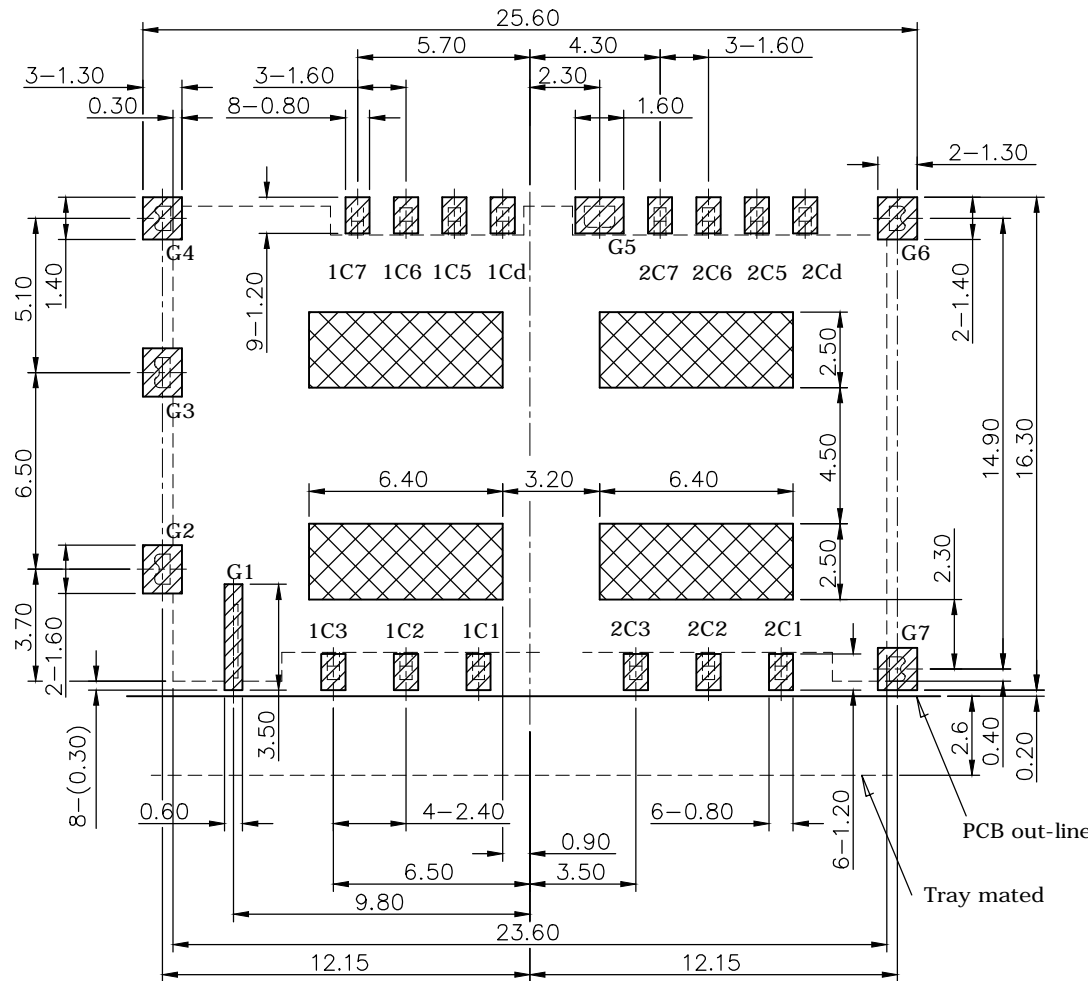
Section A-A



NO.	PART NAME	DESCRIPTION
5	CAM	Stainless Steel 0.4t
4	BAR	Stainless Steel 0.25t
3	SHELL	Stainless Steel 0.15t, solder area: Gold flash, under plating 12u" Nickel
2	CONTACT	Copper alloy 0.12t, contact area:30u" Gold plating solder area: Gold flash, under plating 50u" Nickel
1	HOUSING	LCP, UL94V-0, black

UNLESS OTHERWISE SPECIFIED TOLERANCE					
UNIT:	DECIMAL	LINEAR	ANGLES		
mm	X.	±0.50	±5°	www.attend.com.tw	
	X.X	±0.25	±3°		
	X.XX	±0.12	±1°		
DRAWN	Fros	2018/10/23	DRAWN NAME: Nano SIM Socket, Dual Card Tray Eject Type, 30u"		
CHECKED	Tim	2018/10/23	PRODUCT NO. 115S-BS00		
APPROVED	Ken	2018/10/23	FILE NAME 115S-BS00_B_2		
SCALE 2.5/1		SHEET 1/3	SIZE A4		

REV.	DESCRIPTION	DRAWN	DATE
	see sheet one		



- Socket
- Solder PAD
- NO pattern area

Pin assignment

Pin no.		Description
1C1	2C1	Vcc
1C2	2C2	RST
1C3	2C3	CLK
1Cd	2Cd	Detect
1C5	2C5	GND
1C6	2C6	Vpp
1C7	2C7	I/O

RECOMMENDED LAYOUT (TOP VIEW)
GENERAL TOLERANCE: ±0.05mm

UNLESS OTHERWISE SPECIFIED TOLERANCE

UNIT:	DECIMAL	LINEAR	ANGLES
	X.	±0.50	±5°
	X.X	±0.25	±3°
	X.XX	±0.12	±1°

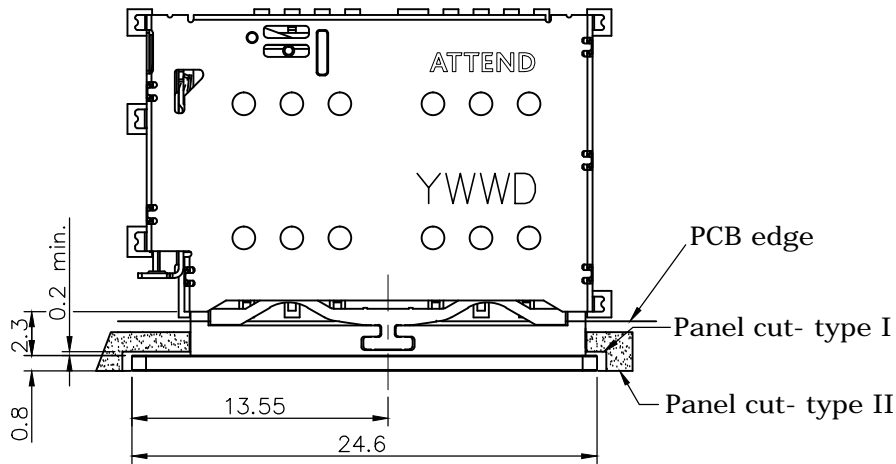


www.attend.com.tw

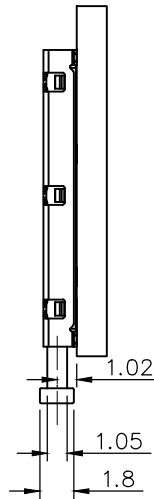
DRAWN	Fros	2018/10/23	DRAWN NAME:
CHECKED	Tim	2018/10/23	Nano SIM Socket, Dual Card Tray Eject Type, 30u"
APPROVED	Ken	2018/10/23	PRODUCT NO. 115S-BS00
	SCALE 4/1	SHEET 2/3	SIZE A4
FILE NAME			115S-BS00_B_2

Recommendation:

Suggested panel cut (Type I/II) can lead the push bar to touch and press precisely lever. If the design does not follow this instruction, a track for the push bar should be considered for the designer to prevent the deviation of the entry of the push bar.



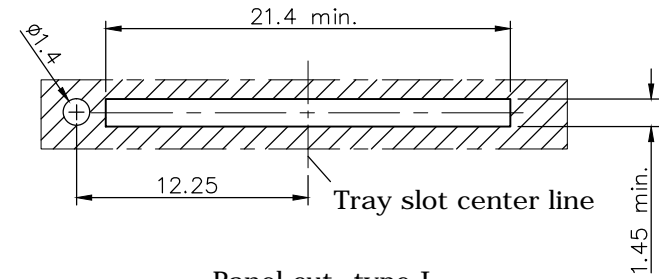
RECOMMEND PANEL CUT OUT



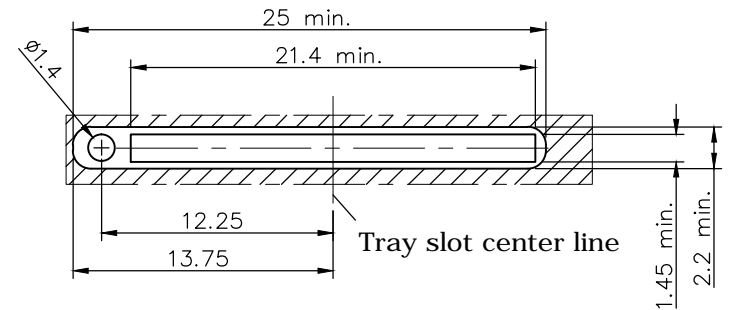
REV.	DESCRIPTION	DRAWN	DATE
	see sheet one		

Tray ejecting types notes:

1. Pull out the door/ tray directly
2. Push the BAR PUSH linkage mechanism



Panel cut- type I



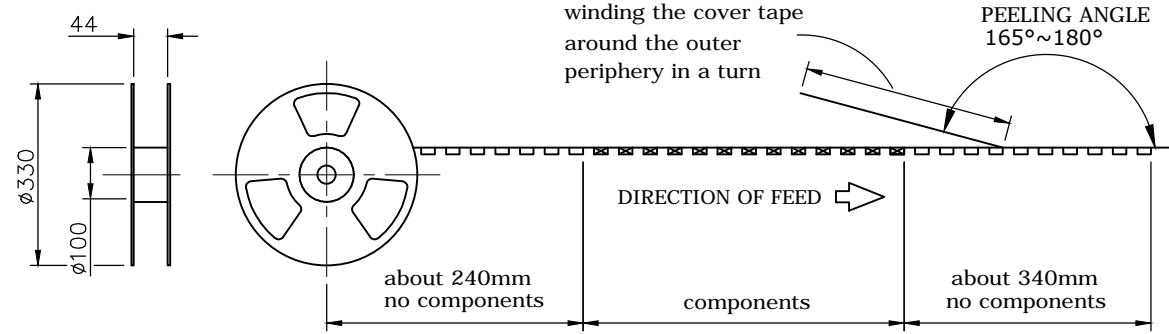
Panel cut- type II

UNLESS OTHERWISE SPECIFIED TOLERANCE					
UNIT:	DECIMAL	LINEAR	ANGLES		
mm	X.	±0.50	±5°		
	X.X	±0.25	±3°		
	X.XX	±0.12	±1°		
DRAWN	Fros	2018/10/23	DRAWN NAME: Nano SIM Socket, Dual Card Tray Eject Type, 30u"		
CHECKED	Tim	2018/10/23			
APPROVED	Ken	2018/10/23			
SCALE	4/1	SHEET	3/3	PRODUCT NO.	115S-BS00
	SIZE		A4		FILE NAME



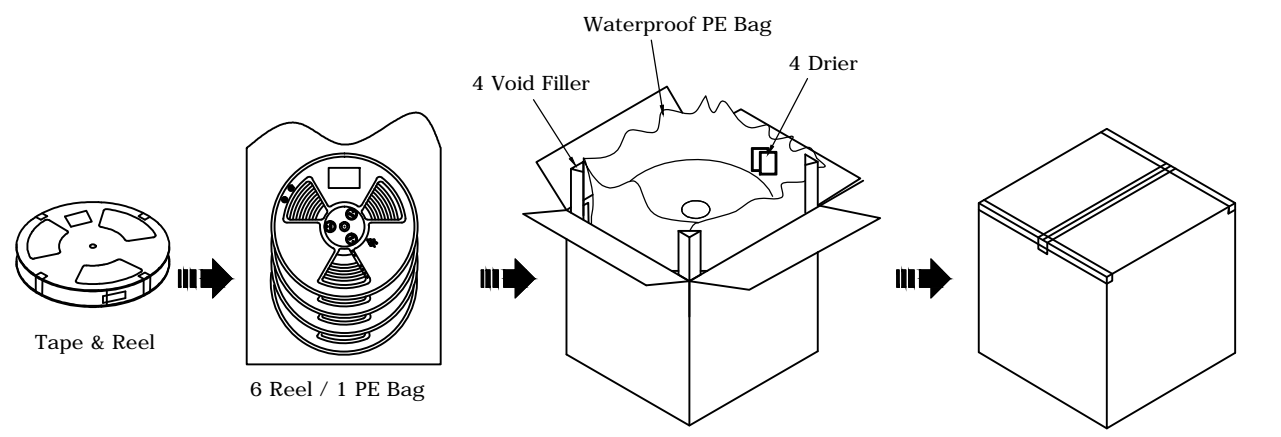
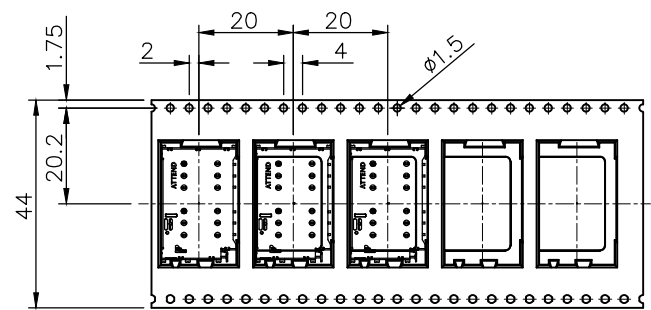
www.attend.com.tw


REV.	DESCRIPTION	DRAWN	DATE
	see sheet one		



PACKAGING SPECIFICATION:

1. MATERIAL
 - 1.1 Embossed Carrier Tape: PS Black
 - 1.2 Top Cover Tape: PET
20-80g (Peel Speed 300mm/Minute)
 - 1.3 Taping Reel: Plastic
2. PACKING
 - 2.1 Quantity:
 - 1,200 PCS/REEL
 - 6 REEL/Carton
 - 7,200 PCS/Carton



UNLESS OTHERWISE SPECIFIED TOLERANCE				 www.attend.com.tw
UNIT:	DECIMAL	LINEAR	ANGLES	
mm	X.	±0.50	±5°	
	X.X	±0.25	±3°	
	X.XX	±0.12	±1°	
DRAWN	Fros	2018/10/23	DRAWN NAME:	
CHECKED	Tim	2018/10/23	Nano SIM Socket, Dual Card Tray Eject Type, 30u"	
APPROVED	Ken	2018/10/23	PRODUCT NO. 115S-BS00	
SCALE	N/A	SHEET 1/1	SIZE A4	FILE NAME 115S-BS00_D_1

Carton L*W*H=350*350*320