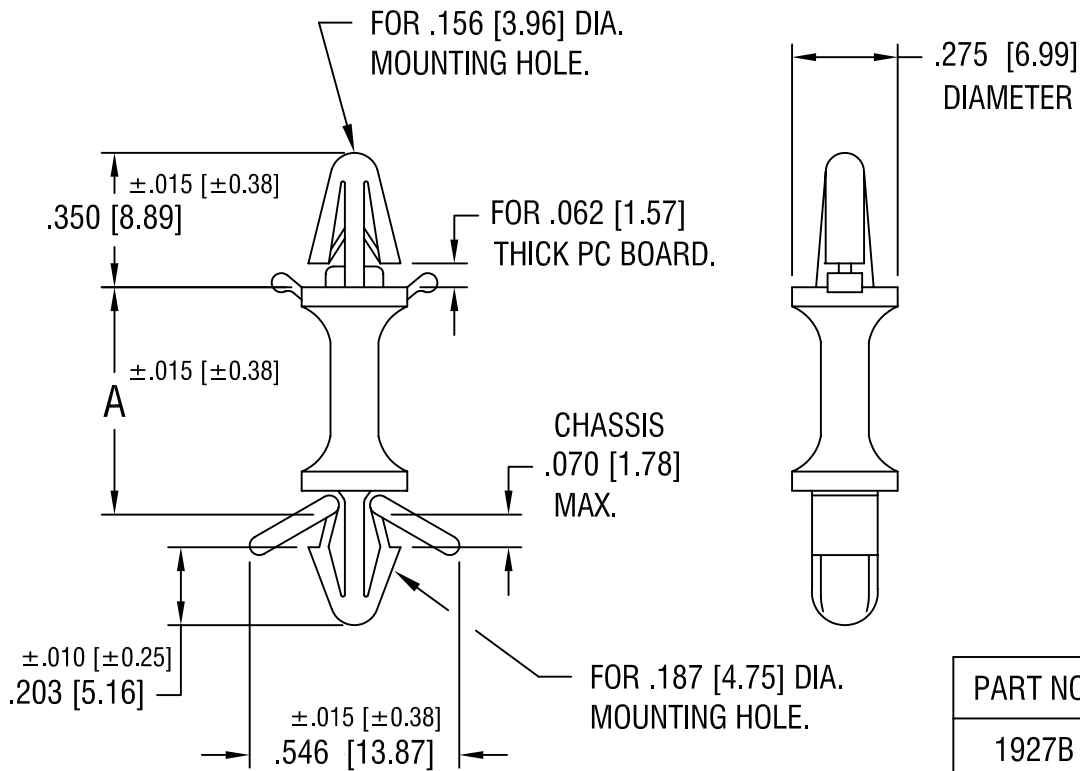


THIS DOCUMENT IS THE PROPERTY OF
KEYSTONE ELECTRONICS CORP. AND
SHALL NOT BE REPRODUCED, DISTRIBUTED
OR USED AS A BASIS FOR MANUFACTURE
WITHOUT PRIOR WRITTEN PERMISSION
FROM KEYSTONE ELECTRONICS CORP.



| PART NO. | 'A' DIM. |
|----------|---------------|
| 1927B | .250 [6.35] |
| 1928B | .375 [9.52] |
| 1929B | .500 [12.70] |
| 1930B | .625 [15.87] |
| 1931B | .750 [19.05] |
| 1932B | .875 [22.22] |
| 1933B | 1.000 [25.40] |

KEYSTONE ELECTRONICS CORP.

ASTORIA, N.Y. 11105-2017

PART NAME

PC LOCK-IN SUPPORT

MATERIAL

NYLON UL 94V-0

FINISH

-

DRN BY

BOONE

DATE

11.20.95

APPD

SCALE

2X

TOLERANCES

INCH [MM]

DECIMAL ±.005 [±0.15]

ANGULAR ± 1°

UNLESS OTHERWISE SPECIFIED

CODE

C

DWG NO.

1927B-1933B

DATE

DESCRIPTION

REV.