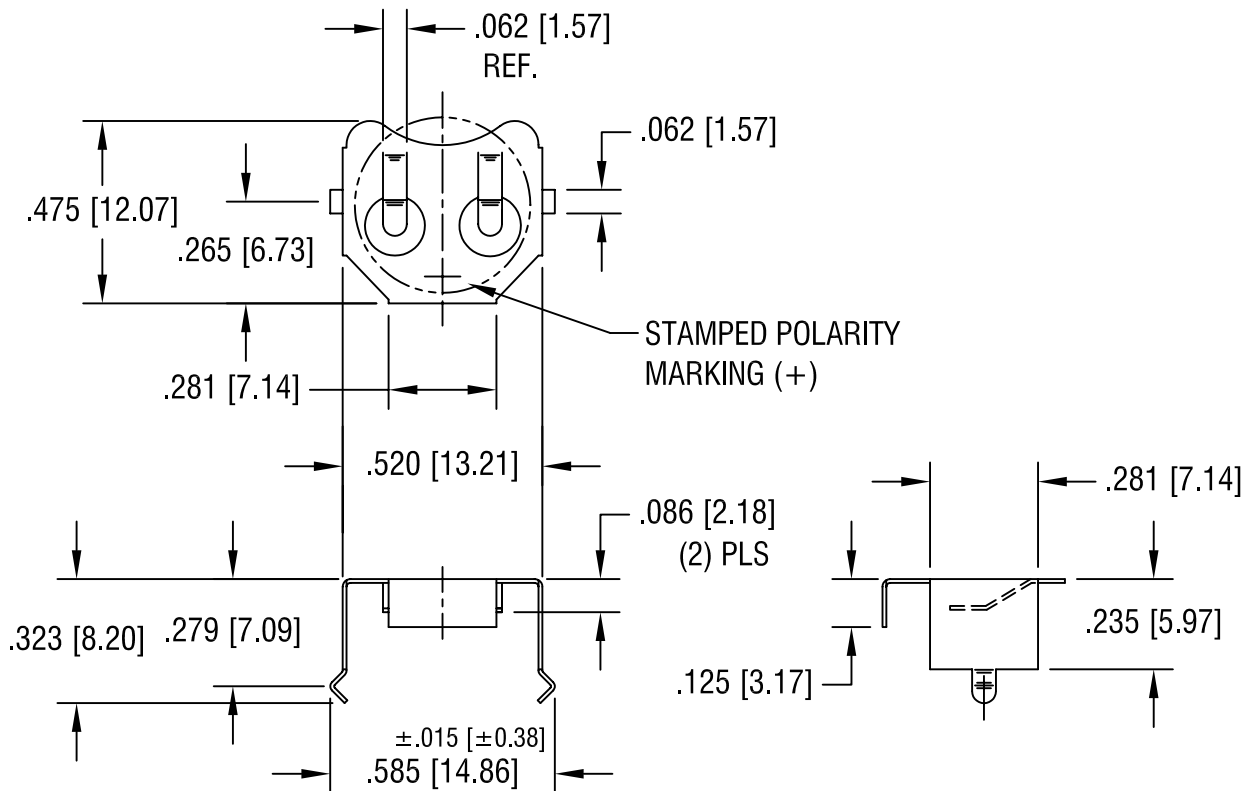
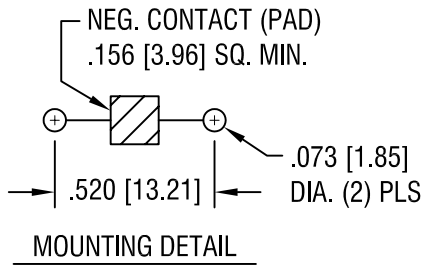


THIS DOCUMENT IS THE PROPERTY OF
KEYSTONE ELECTRONICS CORP. AND
SHALL NOT BE REPRODUCED, DISTRIBUTED
OR USED AS A BASIS FOR MANUFACTURE
WITHOUT PRIOR WRITTEN PERMISSION
FROM KEYSTONE ELECTRONICS CORP.



KEYSTONE ELECTRONICS CORP.

ASTORIA, N.Y. 11105-2017

PART NAME

11.6mm PC BUTTON CELL RETAINER

MATERIAL

.010 [0.25] TH'K PHOSPHOR BRONZE

FINISH

TIN NICKEL PLATE

DRN BY

BOONE

DATE

3.22.05

APP'D

LN

SCALE

2X

TOLERANCES

INCH [MM]

DECIMAL

±.005 [±0.15]

ANGULAR

± 1°

UNLESS OTHERWISE SPECIFIED

CODE

C

DWG NO.

2997

5.25.07	CHANGE AS PER ECN 07-026	B
9.22.06	CHANGE AS PER ECN 06-064	A
DATE	DESCRIPTION	REV.