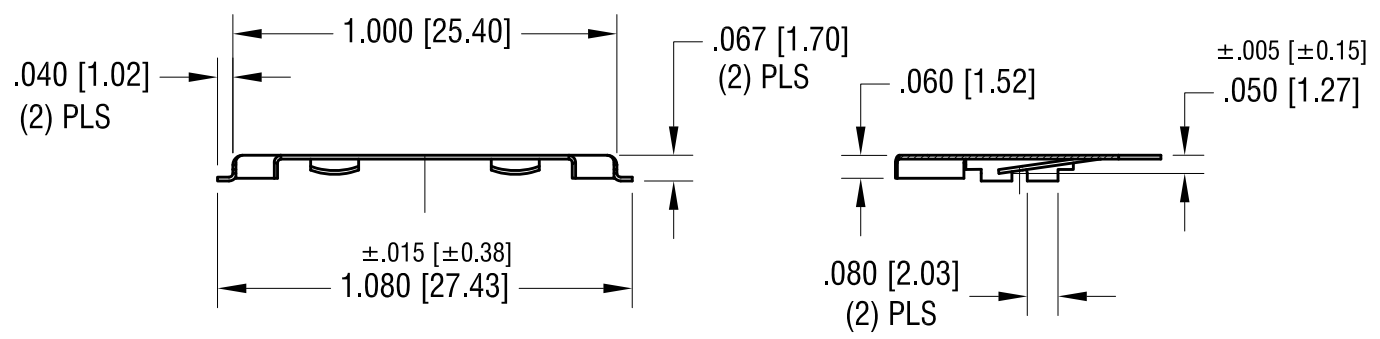
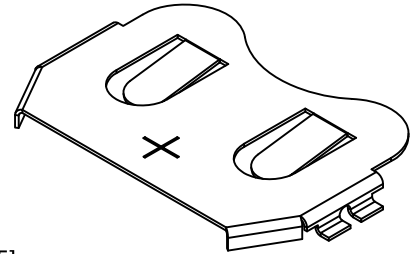
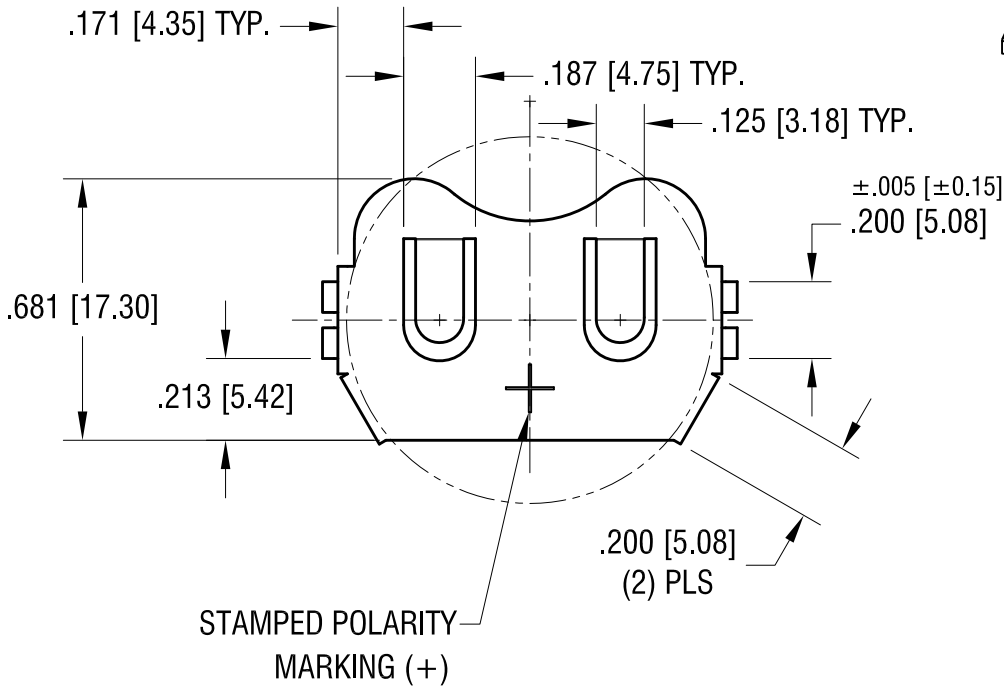
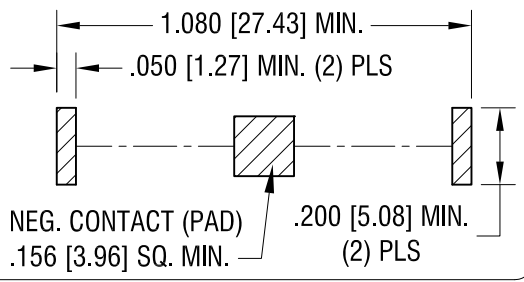


THIS DOCUMENT IS THE PROPERTY OF KEYSTONE ELECTRONICS CORP. AND SHALL NOT BE REPRODUCED, DISTRIBUTED OR USED AS A BASIS FOR MANUFACTURE WITHOUT PRIOR WRITTEN PERMISSION FROM KEYSTONE ELECTRONICS CORP.

**MOUNTING PAD LAYOUT**



2.23.11	CHANGE AS PER ECN 11-020	A
DATE	DESCRIPTION	REV.

<b>KEYSTONE ELECTRONICS CORP.</b>		
www.keyelco.com • ASTORIA, N.Y. 11105-2017 • Tel (718) 956-8900		
PART NAME		
2412 SM COIN CELL CLIP		
MATERIAL		
.010 [0.25] TH'K PHOSPHOR BRONZE		
FINISH		DRN BY
TIN NICKEL PLATE		NT
		DATE
		2.16.11
		APP'D
		LN
		SCALE
		2X
TOLERANCES	INCH [MM]	CODE
DECIMAL	±.010 [±0.25]	C
ANGULAR	± 1°	
UNLESS OTHERWISE SPECIFIED		
DWG NO.		<b>3032</b>