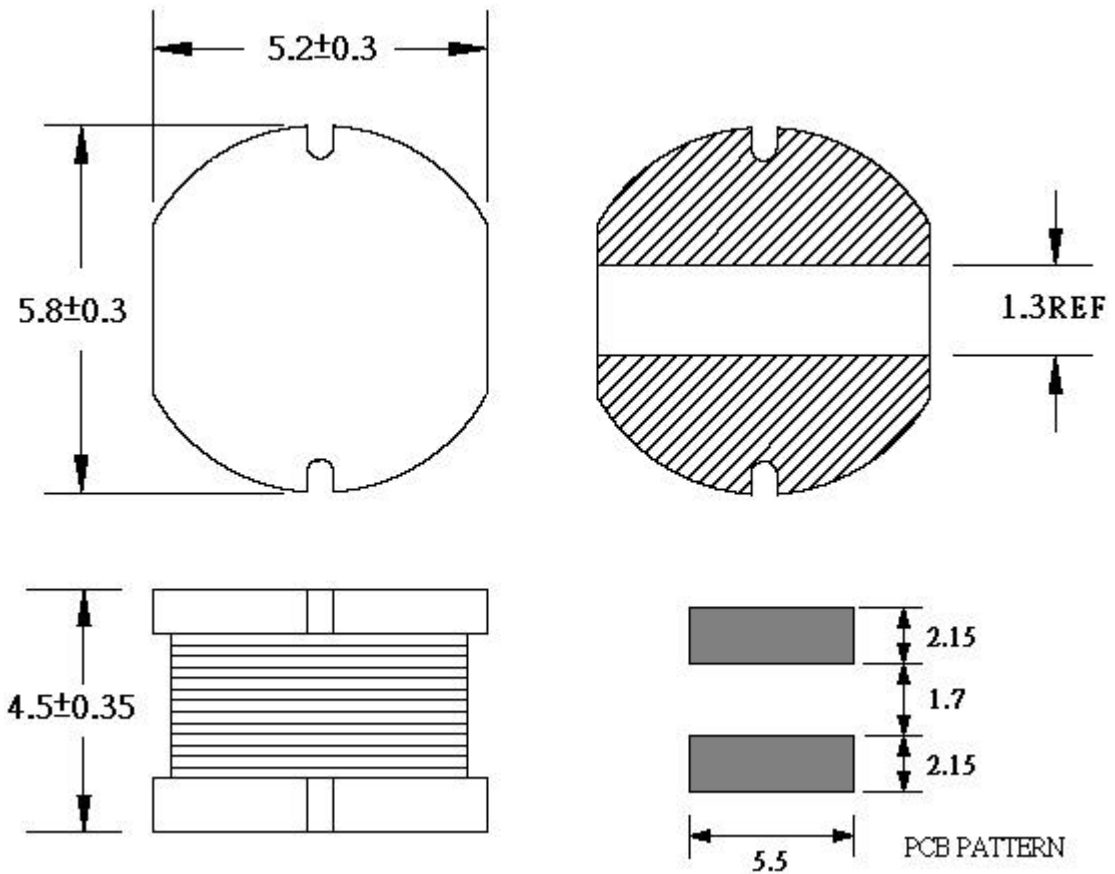


TCK-047



All dimensions in mm

SPECIFICATIONS		Common Mode Choke TCK-047
Inductance	$10\mu\text{H} \pm 20\%$	
	Test Condition: 1KHz/1000mV Measurement Instrument: HP 4263B LCR Meter	
Impedance	DCR(Max): $100\text{m}\Omega$	
	Measurement Instrument: Agilent 34401A Meter	
Rated current	IDC(Max): 1.44A	
	Measurement Instrument: Agilent 34401A Meter	