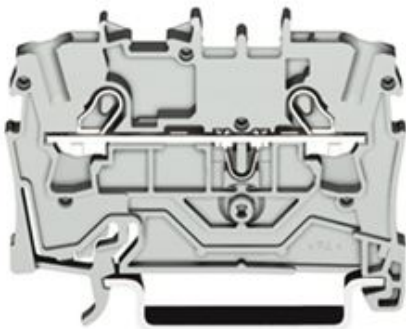

Item no.: 2001-1203
Product description: 2-CONDUCTOR THROUGH TERMINAL BLOCK SUITABLE FOR EX E APPLICATIONS



Produkt kann von Bild abweichen / product may differ

Packing unit 100 pieces

RoHS compliant

| | |
|----------------------------------|----------------------------|
| Weight | 3.484 g |
| Current intensity EN | 24 A |
| Measured voltage EN | 800 V |
| Cross section [mm ²] | 0.25 - 1.5 mm ² |
| Cross section [AWG] | 22 - 14 AWG |
| Connection method | CAGE CLAMP®S Connection |
| Cross section [mm ²] | 0.25 - 2.5 mm ² |
| Cross section [AWG] | 22 - 14 AWG |
| Wiring method | e+f |
| Connection method | CAGE CLAMP®S Connection |
| Measured shock voltage | 8 kV |
| Pollution degree | 3 |
| Current intensity EN | 18 A |
| Color | red |
| Wiring type | Front-entry |
| No. of connection Points | 2 |
| No. of potentials | 1 |
| Height | 33 mm |
| Height | 1.299 in |

| | |
|-------|----------|
| Width | 4.2 mm |
| Width | 0.165 in |
| Depth | 48.5 mm |



| | |
|--------------------|-------------|
| Depth | 1.909 in |
| Strip length from | 9 mm |
| Strip length to | 11 mm |
| Strip length | 0.39 in |
| Customs Tariff No. | 85369010 |
| Country of Origin | Deutschland |



| Item no. | Admission office | Approval no. | Voltage [V] | Current [A] | Cross section [mm ²] |
|-----------|------------------|-------------------|-------------|-------------|-----------------------------------|
| 2001-1203 | ABS | 05-HG476175/3-PDA | 800 | 18 | 0,5-2,5 |
| 2001-1203 | AEX | E185892 | 550 | 15 | 22-14 |
| 2001-1203 | CCA | NL6386 | 800 | 18/24 | 0,5-1,5/2,5 |
| 2001-1203 | CSA | 154112-1645434 | 600 | 15 | 22-14 |
| 2001-1203 | DNV | E-10423 | 800 | 24 | 2,5 |
| 2001-1203 | GL | 26187-05HH | 800 | 18 | 0,25-1,5 |
| 2001-1203 | KEMA | 2116586.01 | 800 | 18 | 0,5-2,5 |
| 2001-1203 | LR | 91/20112(E6) | 800 | 18 | 0,25 -2,5 |
| 2001-1203 | PRS | TE/1718/880590/08 | 800 | 18 | 0,5-2,5 |
| 2001-1203 | PTB | IECExPTB05.0034U | 550 | 16 | 0,5-2,5 |
| 2001-1203 | PTB | PTB05ATEX1094U | 550 | 16 | 0,5-2,5 |
| 2001-1203 | RosTest | 8189158 | 550 | 16 | 0,5-2,5 |
| 2001-1203 | UR | E45172 | 600 | 15 | 22-14 |

Sorting criteria: admission office - approval number

© WAGO Kontakttechnik GmbH & Co. KG

Specifications are subject to changes and errors may be expected