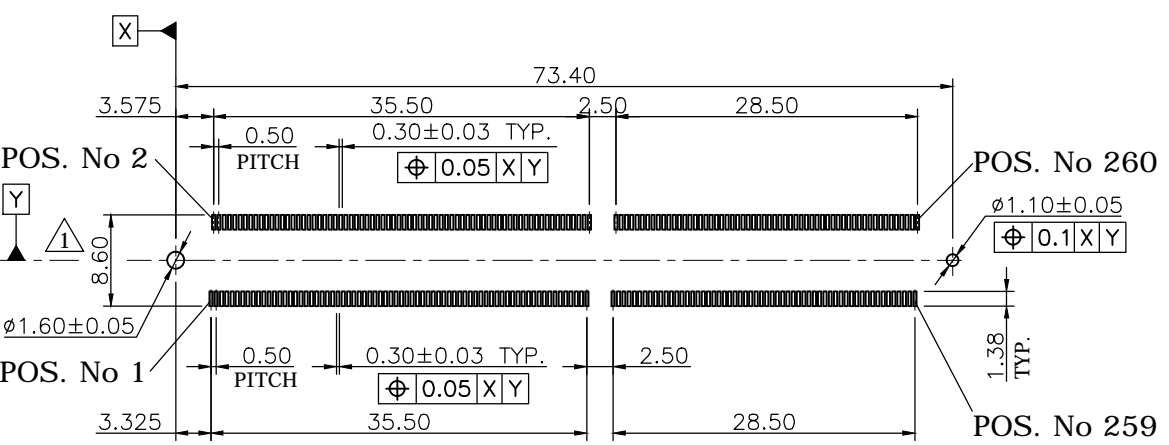
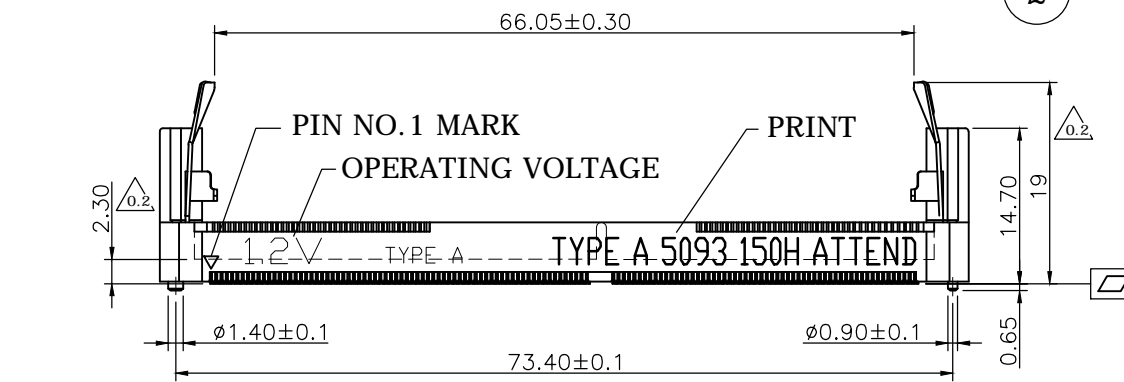
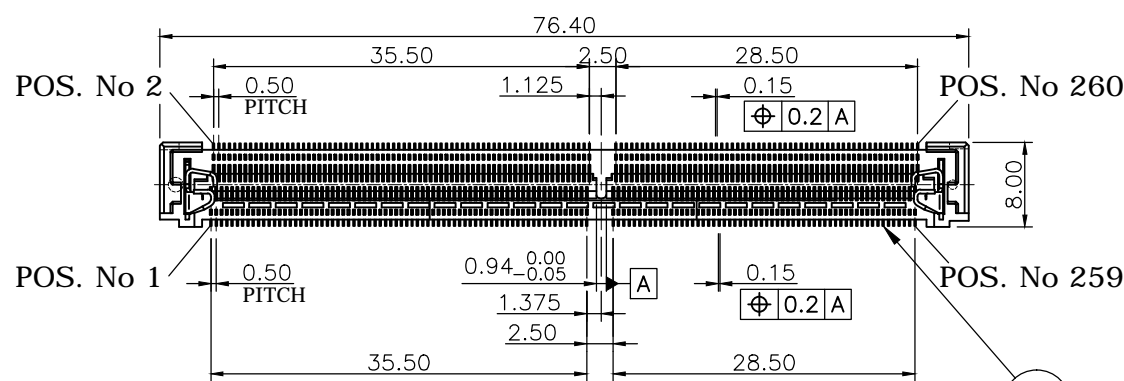
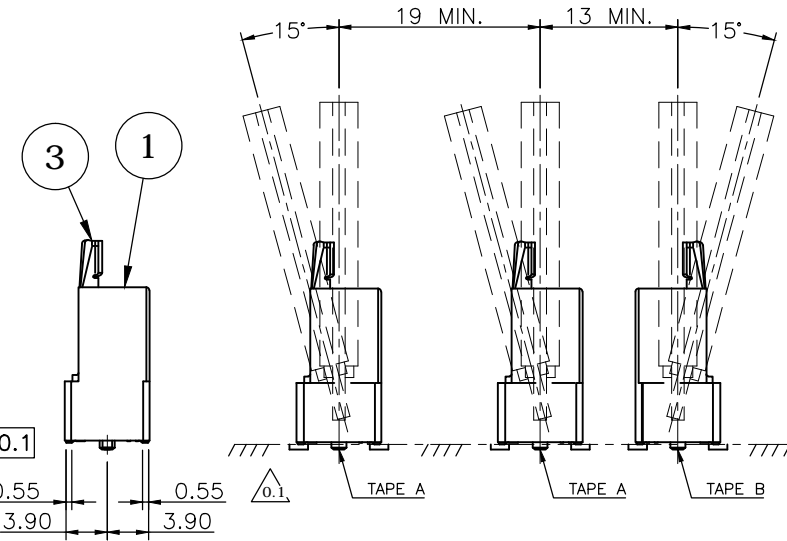


REV.	DESCRIPTION	DRAWN	DATE
0.1	ADD MOUNTING LAYOUT	FROS	2015/02/26
0.2	REVISED LATCH, ADD SLOT DEPTH	FROS	2015/04/30
1	Initial Release	FROS	2015/06/18



RECOMMEND LAYOUT (TOP VIEW)
GENERAL TOLERANCE: ±0.10

PRINT: TYPE A 5093 150H ATTEND
 DATE CODE: 5093 (YWWDD)
 Y : YEAR (2015)
 WW: WEEK (01-52)
 D : DAY (1-7)

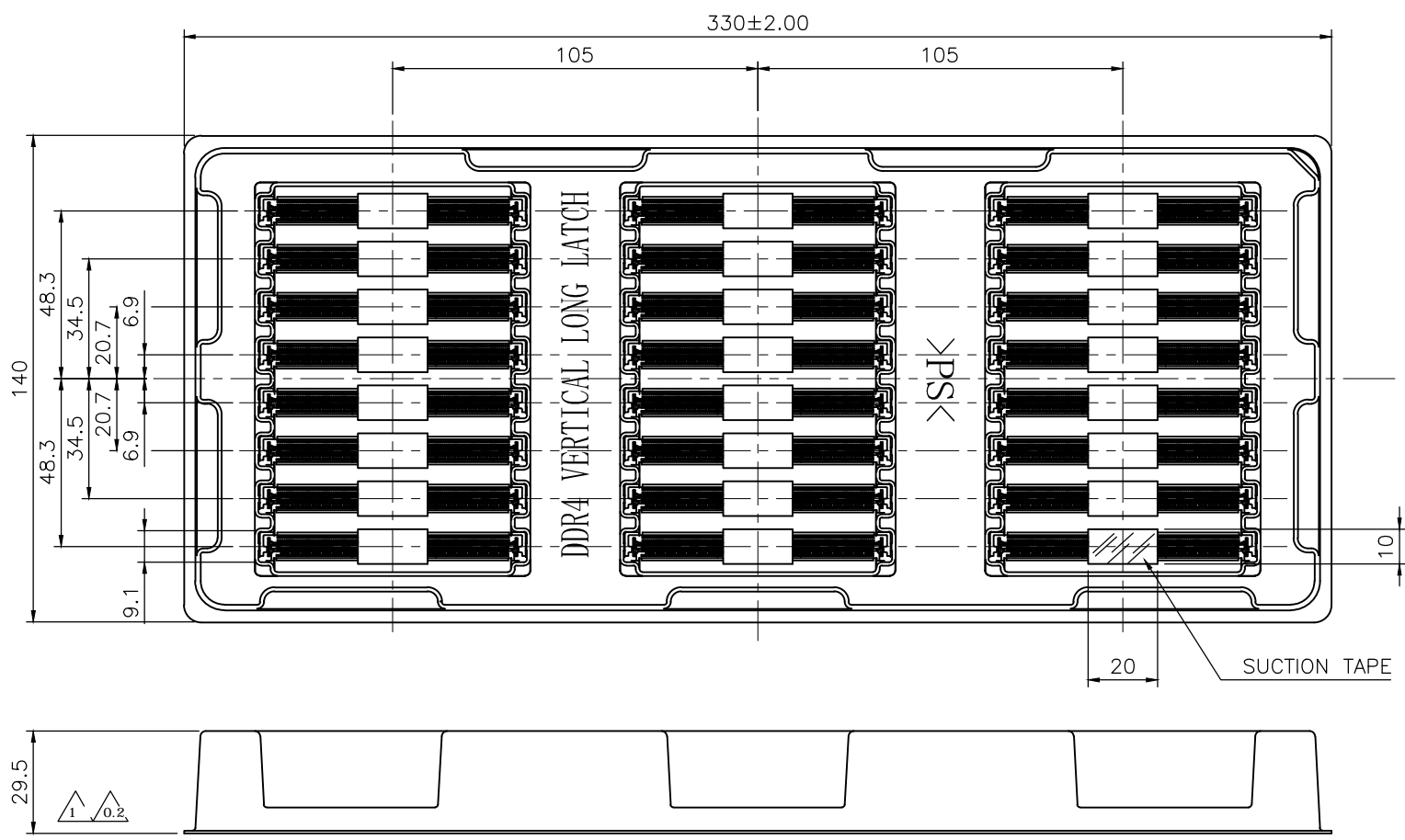


RECOMMENDED SOCKET MOUNTING LAYOUT


3	LATCH	STAINLESS STEEL	
2	CONTACT	PHOSPHOR BRONZE, GOLD FLASH	
1	HOUSING	LCP, UL94V-0, BLACK	
NO.	PART NAME	DESCRIPTION	
UNLESS OTHERWISE SPECIFIED TOLERANCE			
UNIT:	DECIMAL	LINEAR	ANGLES
	X.	±0.50	±5°
	X.X	±0.25	±3°
	X.XX	±0.12	±1°
WWW.ATTEND.COM.TW			
DRAWN	Fros	2015/02/16	DRAWN NAME:
CHECKED	Ron	2015/02/16	DDR4 VERTICAL SOCKET TYPE A FOR 260P DDR SO DIMM
APPROVED	Albert	2015/02/16	PRODUCT NO. 124B-150A00
SCALE	SHEET	SIZE	FILE NAME
			1.4



REV.	DESCRIPTION	DRAWN	DATE
	SEE SHEET ONE		



NOTE:
 8X3= 24 PCS / TRAY
 4 TRAY / INNER BOX
 3 INNER BOX/ CARTON
 24X4X3= 288 PCS/ CARTON

UNLESS OTHERWISE SPECIFIED TOLERANCE				 WWW.ATTEND.COM.TW	
UNIT:	DECIMAL	LINEAR	ANGLES		
mm	X.	±0.50	±5°		
	X.X	±0.25	±3°		
	X.XX	±0.12	±1°		
DRAWN	Fros	2015/02/16	DRAWN NAME:		
CHECKED	Ron	2015/02/16	DDR4 VERTICAL SOCKET TYPE A FOR 260P DDR SO DIMM		
APPROVED	Albert	2015/02/16	PRODUCT NO.	124B-150A00	
SCALE	1/2	SHEET	2/2	SIZE	A4
			FILE NAME	124B-150A00_B_1	