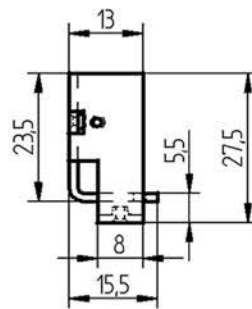
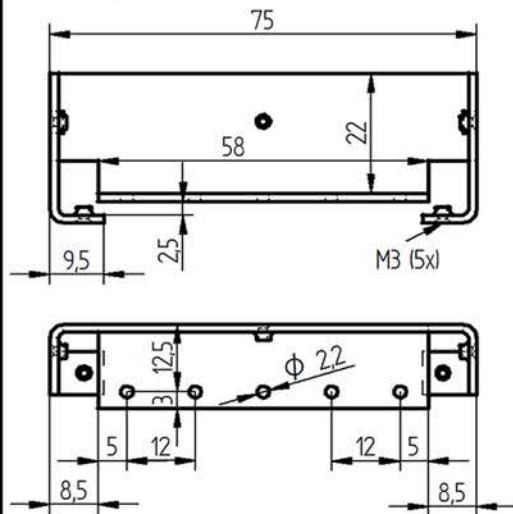
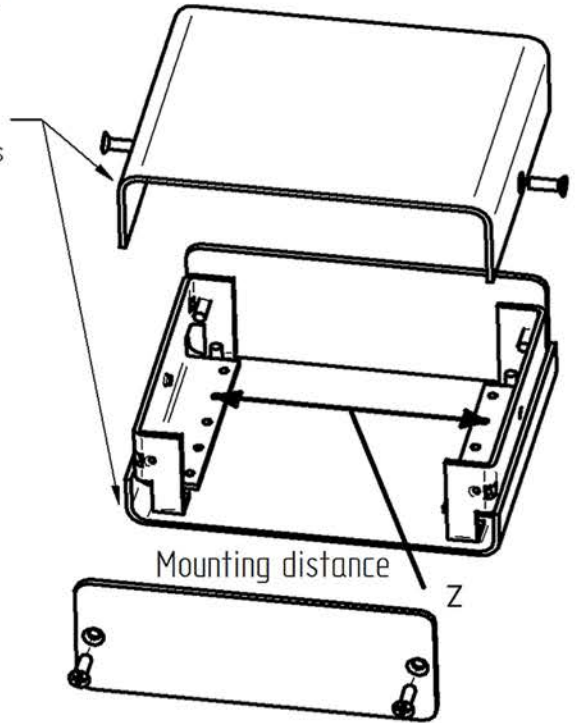


Mounting frame:



Top and bottom radius



Mounting distance

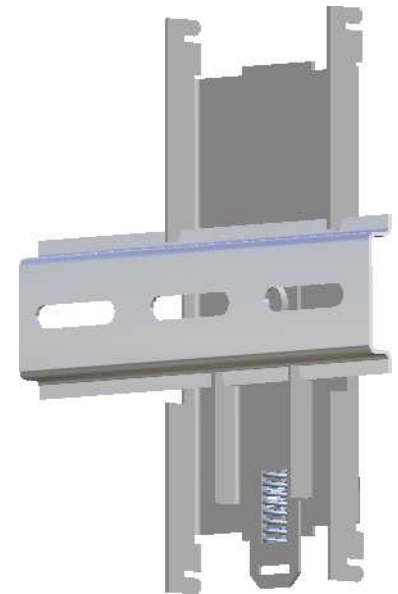
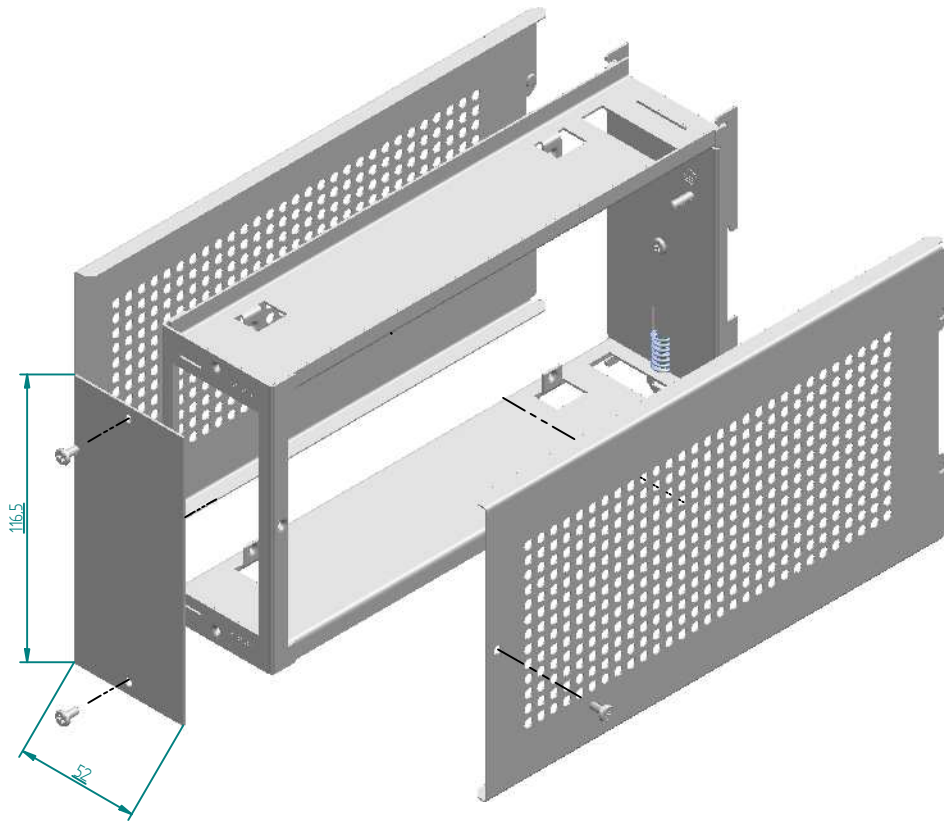
Z

- Front plates : thickness 2,0mm aluminium, fine grinded, chromated
- Top cover : thickness 1,5mm aluminium , powder coated, fine structure, green (RAL 6018)
- Bottom cover : thickness 1,5mm aluminium , powder coated, fine structure, grey (RAL 7016)
- Mounting frame : thickness 1,5mm Dx51+275Z
- Protection: IP 40
- 4pcs. self adhesive rubber feet included
- Shipped assembled ( lens head countersunk screw : DIN965 M3x8 ; DIN966 M3x8 )

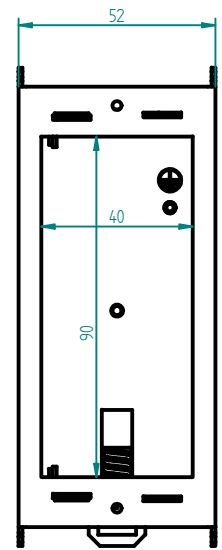
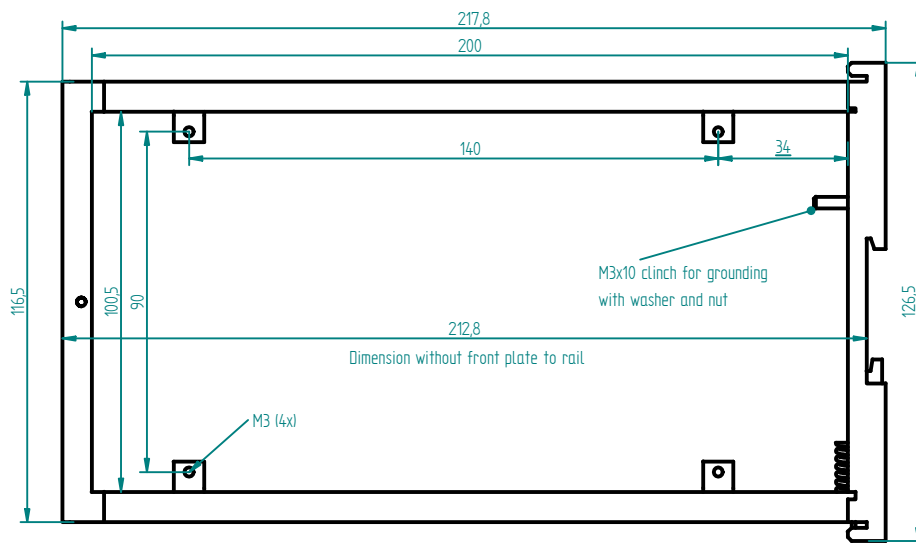
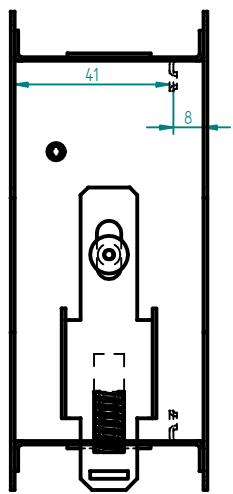
Part No.	A (mm)	B (mm)	C (mm)	Z (mm)	Inner dimension ca. (mm)	Weight (g)	Packing unit
FSG1084	100	80	40	72	L 92 x W 70 x H 35	200	6 pcs
FSG1584	150	80	40	122	L 142 x W 70 x H 35	250	6 pcs
FSG2084	200	80	40	172	L 192 x W 70 x H 35	300	12 pcs
FSG2584	250	80	40	222	L 242 x W 70 x H 35	355	8 pcs



# DIN-Rail Enclosure



B-view



M 1 : 2

- Front plate : thickness 1,5mm Aluminium, fine grinded, chromated
- Side covers : thickness 0,6mm DX51D+Z275, perforated
- Housing : thickness 1,0mm DX51D+Z275
- Good EMC shielding characteristic
- DIN-rail mounting (DIN rail EN 60715 TH35 Type) with spring bar (see B-view)
- M3(4x) PCB mounting tabs + M3x10 clinch for grounding with washer and nut
- Shipped assembled (without mounting rail)

Part No.	Outer dimensions (mm)		Inner dimensions ca. (mm)	Weight (g)	Packing unit
FHG214	L 219,5 x B 53,5 x H 126,5		L 200 x B 40 x H 100	550	10 Pcs

