

## Solid-state reversing contactor - ELR W3- 24DC/500AC- 9I - 2297057

Please be informed that the data shown in this PDF Document is generated from our Online Catalog. Please find the complete data in the user's documentation. Our General Terms of Use for Downloads are valid (<http://phoenixcontact.com/download>)




"4 in 1" three-phase semiconductor reversing contactor with 24 V DC input, 9 A output current, emergency stop function, and adjustable overload switching.

### Why buy this product

- 22.5 mm wide
- Safety level according to IEC 61508-1: SIL 3, ISO 13849: PL e
- Space saving
- Long service life
- Reduction in wiring
- Bimetal function can be set up to 9 A
- 3-phase loop bridges



### Key Commercial Data

Packing unit	1 pc
GTIN	 4 046356 170581
Weight per Piece (excluding packing)	288.1 g
Custom tariff number	85371099
Country of origin	Germany

### Technical data

#### Input data

Input name	Device supply
Rated control circuit supply voltage $U_s$	24 V DC
Voltage range with reference to $U_s$	0.8 ... 1.25
Rated control supply current $I_s$	40 mA
Rated actuating voltage $U_c$	24 V DC
Voltage range with reference to $U_c$	0.8 ... 1.25
Rated actuating current $I_c$	5 mA

# Solid-state reversing contactor - ELR W3- 24DC/500AC- 9I - 2297057

## Technical data

### Input data

Protective circuit	Protection against polarity reversal Parallel polarity protection diode
	Surge protection
Typical response time	< 35 ms
Typical turn-off time	< 40 ms
Operating voltage display	Green LED
Status display	Yellow LED
Indication	Red LED
Input name	Control input right/left
Switching threshold	9.6 V ("0" signal)
	19.2 V ("1" signal)

### Output data load output

Nominal output voltage	500 V AC
Nominal output voltage range	42 V AC ... 550 V AC
Load current range	1.5 A ... 9 A (see to derating)
Rated operating current at AC-51	9 A
Rated operating current at AC-53a	6.5 A
Leakage current	0 mA
Residual voltage	< 0.5 V
Surge current	100 A (t = 10 ms)
Protective circuit	Surge protection

### Output data reply output

Note	Confirmation 01: Floating PDT contact
------	---------------------------------------

### Measuring technology and signaling contact

Measuring via	Current transformer for line current on L1 and L3
Current range	1 A ... 45 A

### Connection data, control circuit

Connection name	Control circuits
Connection method	Screw connection
Stripping length	8 mm
Screw thread	M3
Conductor cross section solid	0.2 mm <sup>2</sup> ... 2.5 mm <sup>2</sup>
Conductor cross section flexible	0.2 mm <sup>2</sup> ... 2.5 mm <sup>2</sup>
Conductor cross section AWG	24 ... 14

### Connection data load circuit

Connection name	Load circuit
Connection method	Screw connection
Stripping length	8 mm
Screw thread	M3

# Solid-state reversing contactor - ELR W3- 24DC/500AC- 9I - 2297057

## Technical data

### Connection data load circuit

Conductor cross section solid	0.2 mm <sup>2</sup> ... 2.5 mm <sup>2</sup>
Conductor cross section flexible	0.2 mm <sup>2</sup> ... 2.5 mm <sup>2</sup>
Conductor cross section AWG	24 ... 14

### General

Test voltage input/output	4 kV <sub>rms</sub>
Mounting position	Vertical (horizontal DIN rail)
Assembly instructions	Can be aligned with spacing = 20 mm
Operating mode	100% operating factor
Designation	Standards/regulations
Standards/regulations	DIN EN 50178
	EN 60947
Designation	Power station requirements
Standards/regulations	DWR 1300 / ZXX01/DD/7080.8d
Designation	Air clearances and creepage distances between the power circuits
Standards/regulations	DIN EN 50178
Insulation	safe isolation
Degree of pollution	2
Overvoltage category	III
Reversing frequency	≤ 2 Hz

### Dimensions

Width	22.5 mm
Height	99 mm
Depth	114.5 mm

### Ambient conditions

Ambient temperature (operation)	-25 °C ... 70 °C
Ambient temperature (storage/transport)	-40 °C ... 80 °C
Degree of protection	IP20

### UL data

SCCR	100 kA (480 V AC (fuse: 30 A class CC/30 A class J (high fault)))
	5 kA (480 V AC (fuse: 20 A RK5 (standard fault)))

### Standards and Regulations

Designation	Standards/regulations
Standards/regulations	DIN EN 50178
	EN 60947
Designation	Power station requirements
Standards/regulations	DWR 1300 / ZXX01/DD/7080.8d
Designation	Air clearances and creepage distances between the power circuits
Standards/regulations	DIN EN 50178

# Solid-state reversing contactor - ELR W3- 24DC/500AC- 9I - 2297057

## Technical data

### Standards and Regulations

Insulation	safe isolation
Degree of pollution	2
Overvoltage category	III

## Classifications

### eCl@ss

eCl@ss 4.0	27371102
eCl@ss 4.1	27371102
eCl@ss 5.0	27371601
eCl@ss 5.1	27371601
eCl@ss 6.0	27371601
eCl@ss 7.0	27371601
eCl@ss 8.0	27371014

### ETIM

ETIM 2.0	EC000066
ETIM 3.0	EC000066
ETIM 4.0	EC000066
ETIM 5.0	EC002055

### UNSPSC

UNSPSC 6.01	30211915
UNSPSC 7.0901	39121514
UNSPSC 11	39121514
UNSPSC 12.01	39121514
UNSPSC 13.2	39121514

## Approvals

### Approvals

---

#### Approvals

UL Listed / cUL Listed / GL / GL-SW / IECCE CB Scheme / UL Listed / cUL Listed / EAC / EAC / GL / cULus Listed

---

#### Ex Approvals

ATEX / ATEX

---

#### Approvals submitted

---

# Solid-state reversing contactor - ELR W3- 24DC/500AC- 9I - 2297057

## Approvals


### Approval details


UL Listed 

cUL Listed 

GL

GL-SW

IECEE CB Scheme 

UL Listed 

cUL Listed 

EAC

EAC

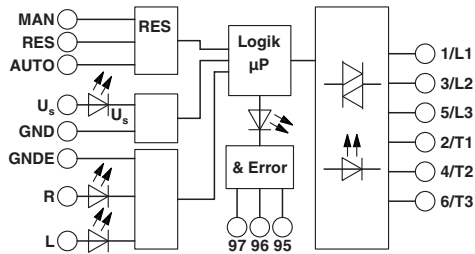
GL

cULus Listed 

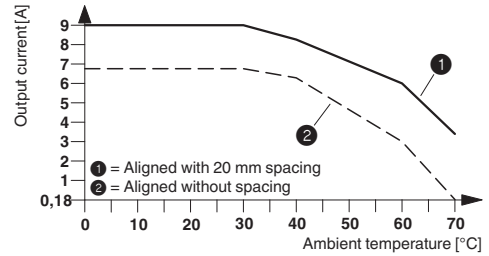
## Drawings

# Solid-state reversing contactor - ELR W3- 24DC/500AC- 9I - 2297057

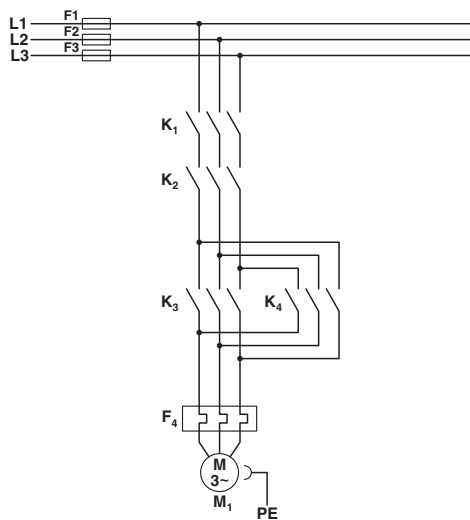
Block diagram



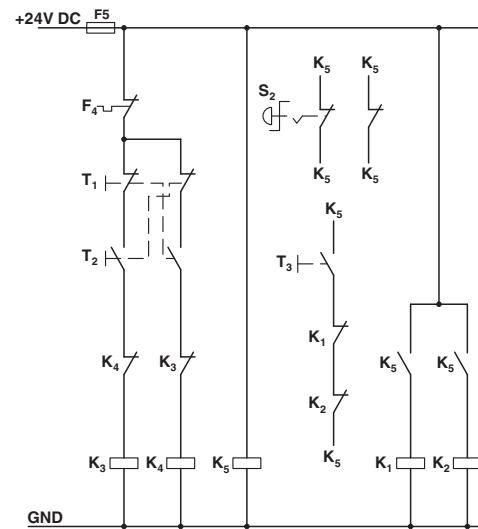
Diagram



Circuit diagram



Circuit diagram



Conventional structure  
Main current path for reversing contactor according to category 3

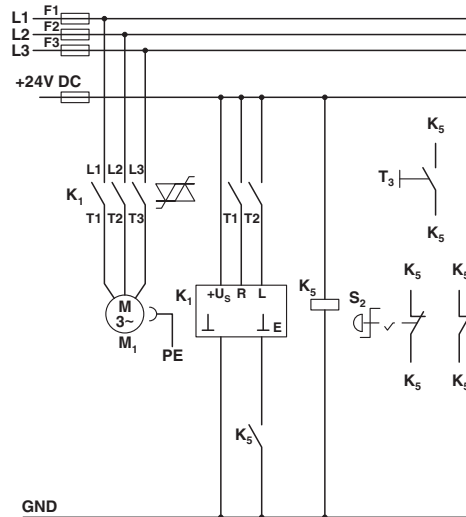
- K1 + K2 = Emergency stop contactor
- K3 = Left contactor
- K4 = Right contactor
- F4 = Motor protection relay

Conventional structure  
Control current path reversing contactor according to category 3

- K1 + K2 = Emergency stop contactor
- K3 = Left contactor
- K4 = Right contactor
- K5 = PSR SCP-24DC.../Safety relay
- T1 = Right, T2 = Left, T3 = Reset
- S2 = Emergency stop
- F4 = Motor protection relay

# Solid-state reversing contactor - ELR W3- 24DC/500AC- 9I - 2297057

Circuit diagram



## Structure with CONTACTRON

Main and control current path for '4 in 1' hybrid motor starter with reversing function according to category 3

K1 = '4 in 1' hybrid motor starter with reversing function

K5 = PSR SCP-24DC.../Safety relay

T1 = Right, T2 = Left, T3 = Reset

S2 = Emergency stop