



Male connector; 2-pole; Pin spacing 3.5 mm / 0.138 in; with snap-in mounting foot

Item No.: 2091-1522/020-000



Male connector; 2-pole; Pin spacing 3.5 mm / 0.138 in; with snap-in mounting foot

Marking

RoHS ✓
Compliant

Business data

Supplier	WAGO
Item no.	2091-1522/020-000
GTIN / EAN	4050821161394
Content	1
Order amount	200
Customer item number	

Notes

Item description: Universal connection for all conductor types Simple, push-in termination of solid and ferruled conductors Easy-to-use design does not require special tools Testing parallel to conductor entry – tip contact For “wire-to-wire” and “board-to-wire” connections Integrated release lever

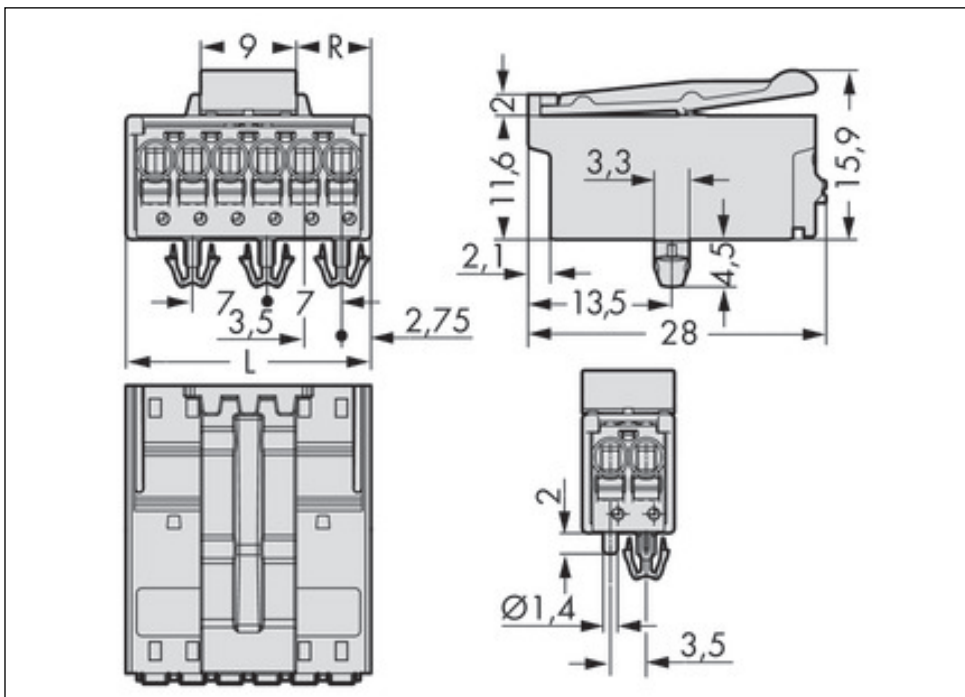
Technical data

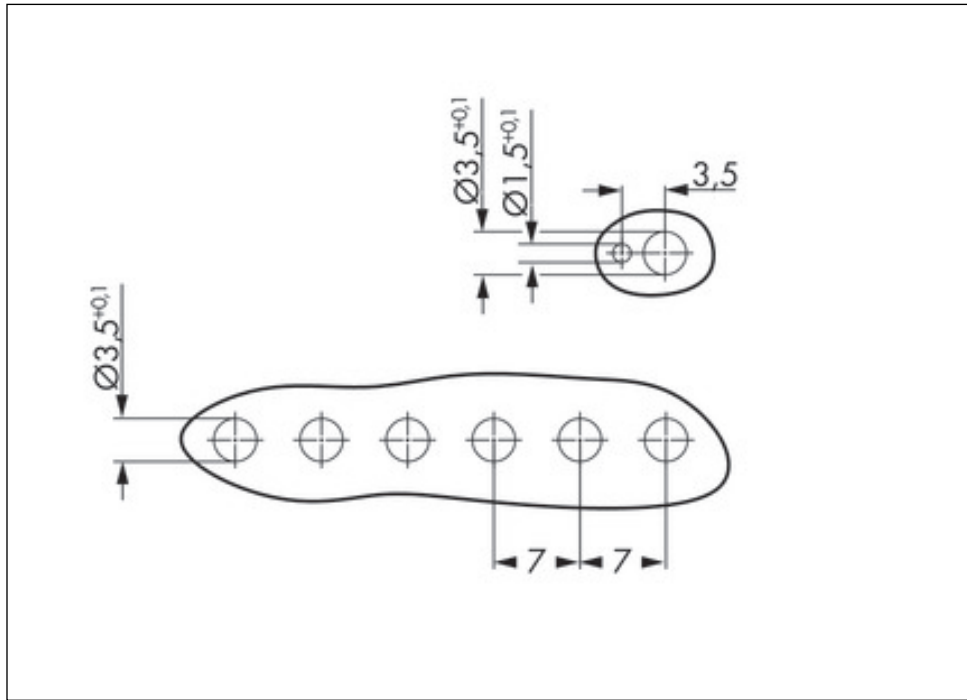
Miscellaneous

No. of poles	2
Pin spacing	3.5 mm (0.138 in)
Total number of connection points	2

Technical data	
Total number of potentials	2
Color	light gray
Ratings per	IEC/EN 60664-1
Rated voltage (III / 3) [V]	160 [V]
Rated impulse voltage (III / 3) [kV]	2.5 [kV]
Rated voltage (III/2) [V]	160 [V]
Rated impulse voltage (III / 2) [kV]	2.5 [kV]
Rated voltage (II / 2) [V]	320 [V]
Rated impulse voltage (II / 2) [kV]	2.5 [kV]
Rated current [A]	10 [A]
Legend for ratings	(III / 2) Overvoltage category III / Pollution degree 2
Number of connection objects	1
Number of levels	1
Connection technology	Push-in CAGE CLAMP®
Number of connection points connector	1
Actuation type	Operating lever
Solid conductor	0.2 ... 1.5 mm ² / 24 ... 14 AWG
Fine-stranded conductor	0.2 ... 1.5 mm ² / 24 ... 14 AWG
Fine-stranded conductor with ferrule with plastic collar	0.25 ... 0.75 mm ² / ...
Fine-stranded conductor with ferrule without plastic collar	0.25 ... 1.5 mm ² / ...
Strip length	8 ... 9 mm / 0.31 ... 0.35 Inch
Material group	I
Insulating material	Polyphthalamide (PPA GF)
Flammability class per UL94	V0
Limit temperature range	-60 ... 100 °C
Clamping spring material	Chrome-nickel spring steel (CrNi)
Contact material	Electrolytic copper (Ecu)
Contact plating	tin-plated
Fire load [MJ]	0.071 [MJ]
Weight [g]	2.811 [g]
Width	9 mm / 0.354 Inch
Height	20.4 mm / 0.803 Inch
Height from the surface	15.9 mm / 0.626 Inch
Depth	28 mm / 1.102 Inch

Images & drawings





Address

WAGO Kontakttechnik GmbH & Co. KG

Hansastr. 27

32423 Minden

Telefon: 0571/887-0

Fax: 0571/887-169

<http://www.wago.com>

© WAGO Kontakttechnik GmbH & Co. KG

Technische Änderungen und Irrtümer vorbehalten.