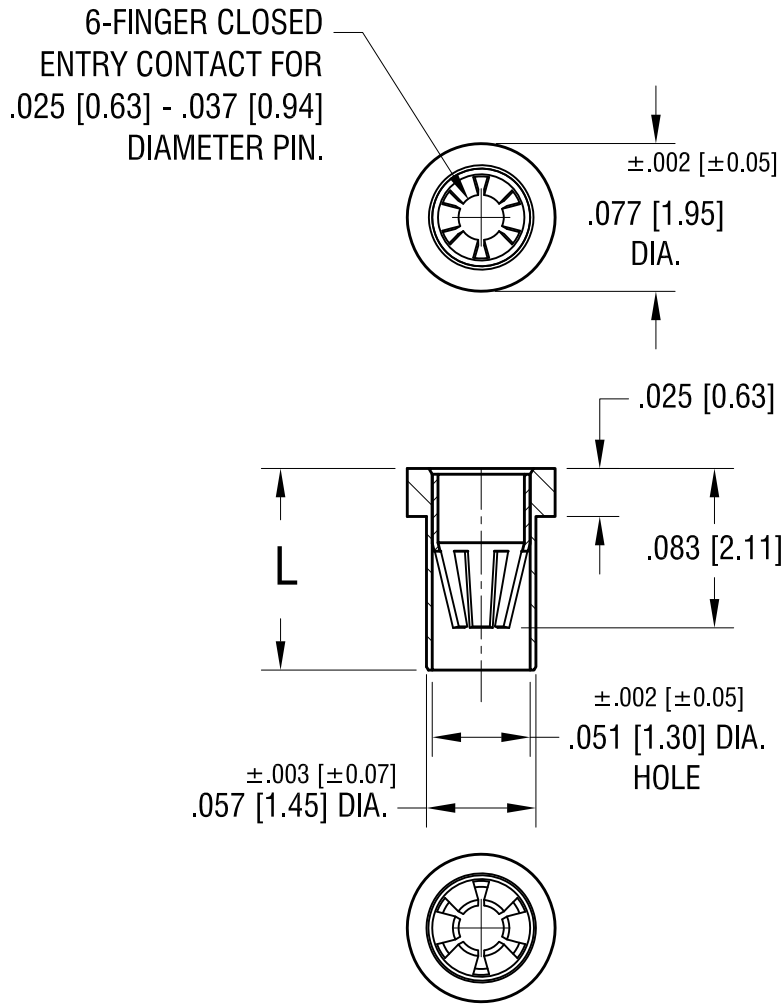


THIS DOCUMENT IS THE PROPERTY OF KEYSTONE ELECTRONICS CORP. AND SHALL NOT BE REPRODUCED, DISTRIBUTED OR USED AS A BASIS FOR MANUFACTURE WITHOUT PRIOR WRITTEN PERMISSION FROM KEYSTONE ELECTRONICS CORP.



NOTES:

1. SPRING CONTACT:
 MAT'L - BERYLLIUM COPPER
 FINISH - GOLD PLATE
 BODY:
 MAT'L - BRASS
 FINISH - TIN/LEAD PLATE
2. MOUNTING HOLE DIA.: .061 [1.55]

PART NO.	'L' DIM.
1619-1	.095 [2.41]
1619-2	.105 [2.67]
1619-3	.155 [3.94]

DATE	DESCRIPTION	REV.
5.9.11	CHANGE AS PER ECN 11-060	B
10.24.07	CHANGE AS PER ECN 07-069	A

KEYSTONE ELECTRONICS CORP.			
www.keyelco.com • ASTORIA, N.Y. 11105-2017 • Tel (718) 956-8900			
PART NAME			
MICRO JACK, SOLDER MOUNT			
MATERIAL			
AS NOTED			
FINISH		DRN BY	DATE
AS NOTED		BOONE	2.26.07
		APP'D	SCALE
		LN	10X
TOLERANCES	INCH [MM]	CODE	DWG NO.
DECIMAL	± .005 [± 0.13]	C/M	1619-
ANGULAR	± 1°		
UNLESS OTHERWISE SPECIFIED			