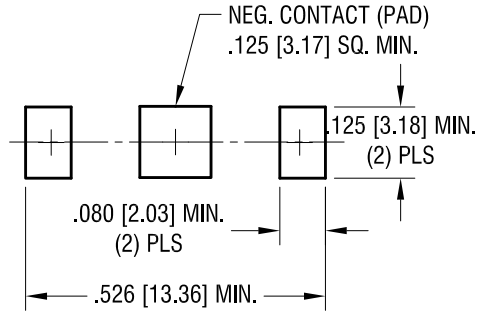


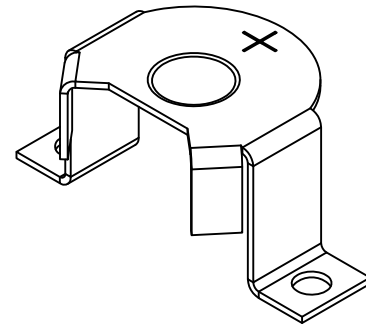
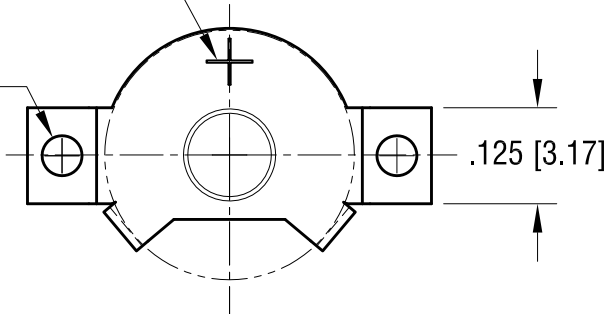
THIS DOCUMENT IS THE PROPERTY OF
KEYSTONE ELECTRONICS CORP. AND
SHALL NOT BE REPRODUCED, DISTRIBUTED
OR USED AS A BASIS FOR MANUFACTURE
WITHOUT PRIOR WRITTEN PERMISSION
FROM KEYSTONE ELECTRONICS CORP.

MOUNTING PAD LAYOUT

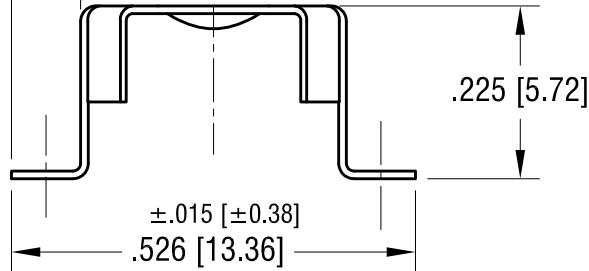


STAMP (+)
AS SHOWN

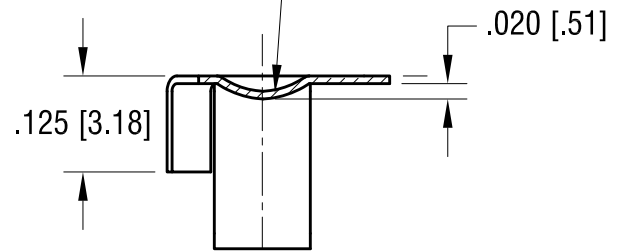
Ø.052 [Ø1.32]
DIA. HOLE (2) PLS



±.015 [±0.38]
.090 [2.29]
(2) PLS



DIMPLE



KEYSTONE ELECTRONICS CORP.

www.keyelco.com • ASTORIA, N.Y. 11105-2017 • Tel (718) 956-8900

PART NAME

SM HEARING AID BATTERY RETAINER (SIZE 13)

MATERIAL

.010 [0.25] TH'K PHOSPHOR BRONZE

FINISH

GOLD PLATE

DRN BY

NT

DATE

3.22.10

APP'D

LN

SCALE

4X

TOLERANCES

INCH [MM]

DECIMAL

±.005 [±0.13]

ANGULAR

± 1°

UNLESS OTHERWISE SPECIFIED

CODE

C

DWG NO.

2988

DATE

DESCRIPTION

REV.