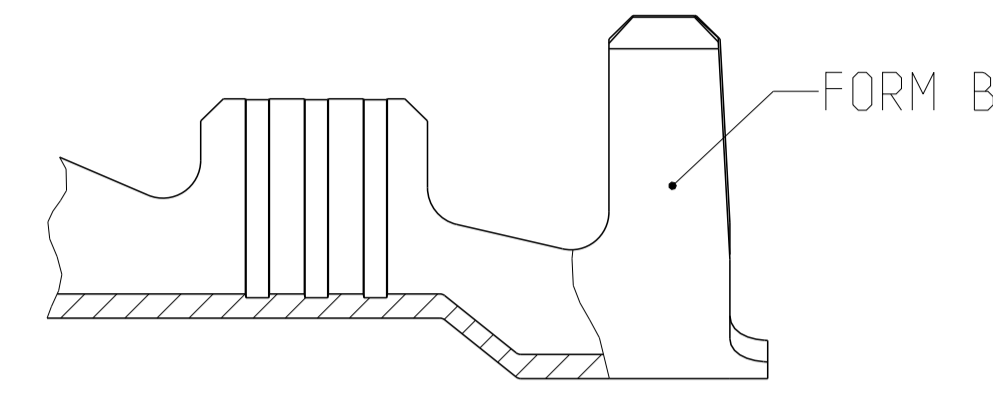
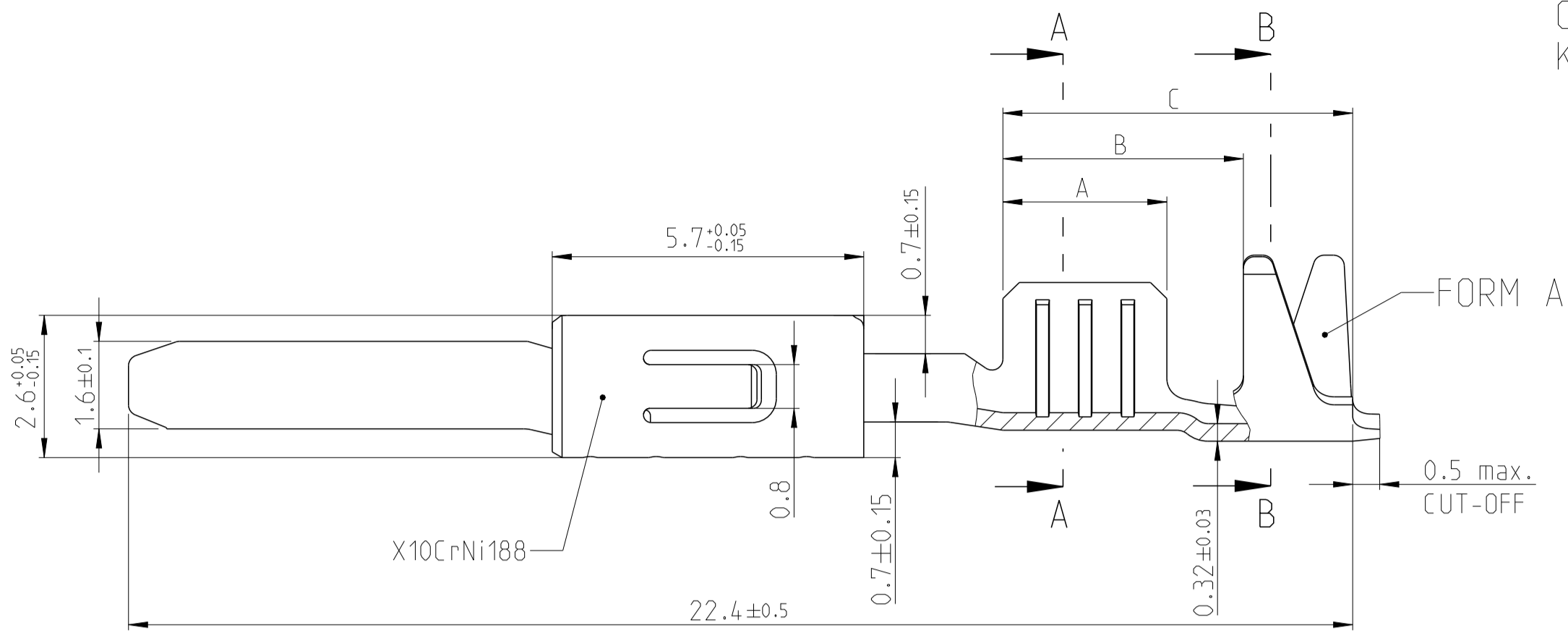
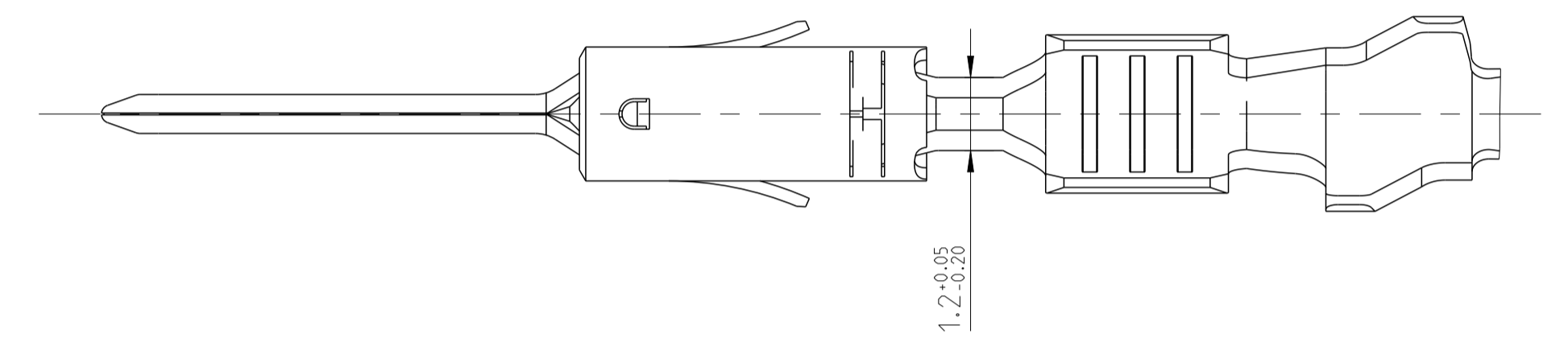
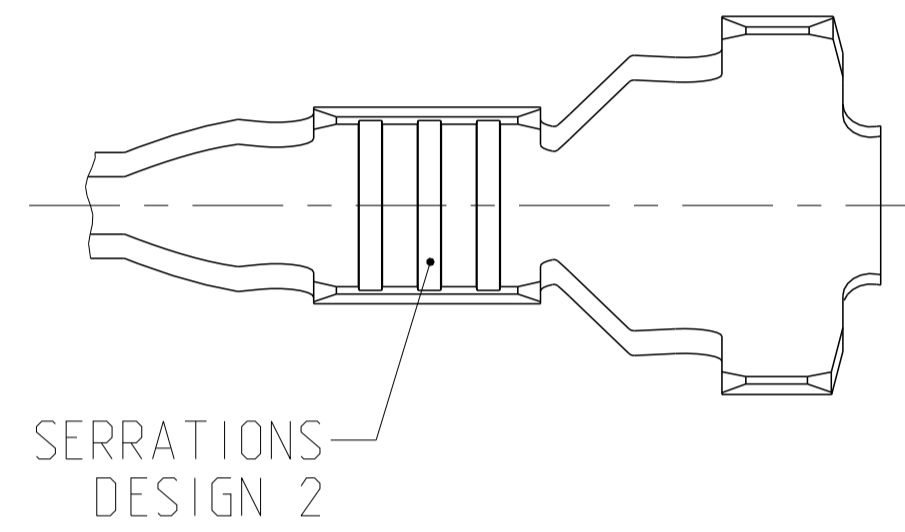
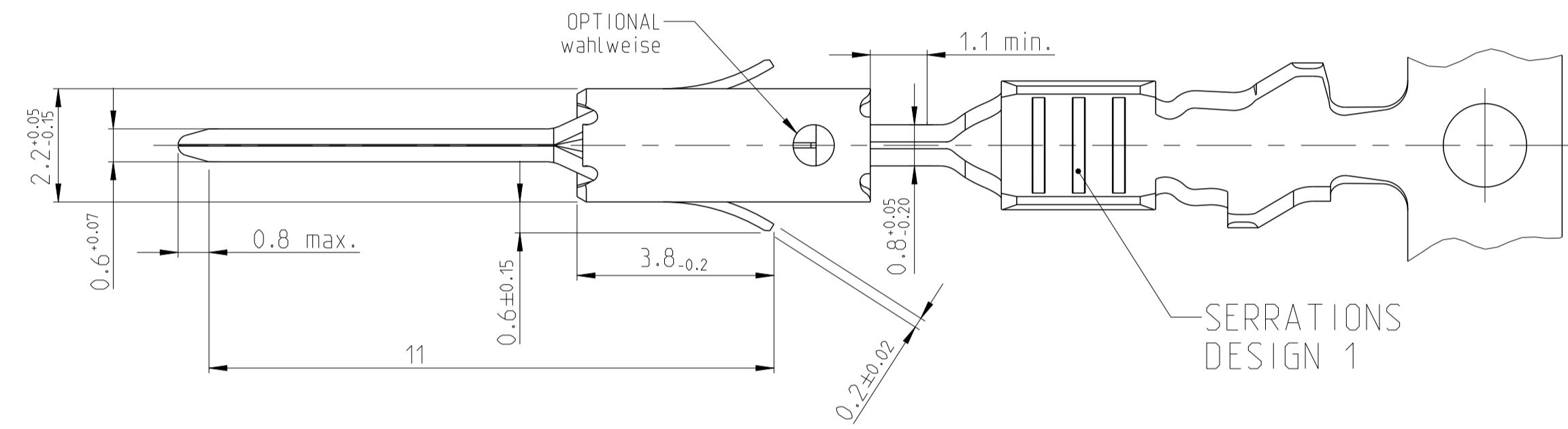
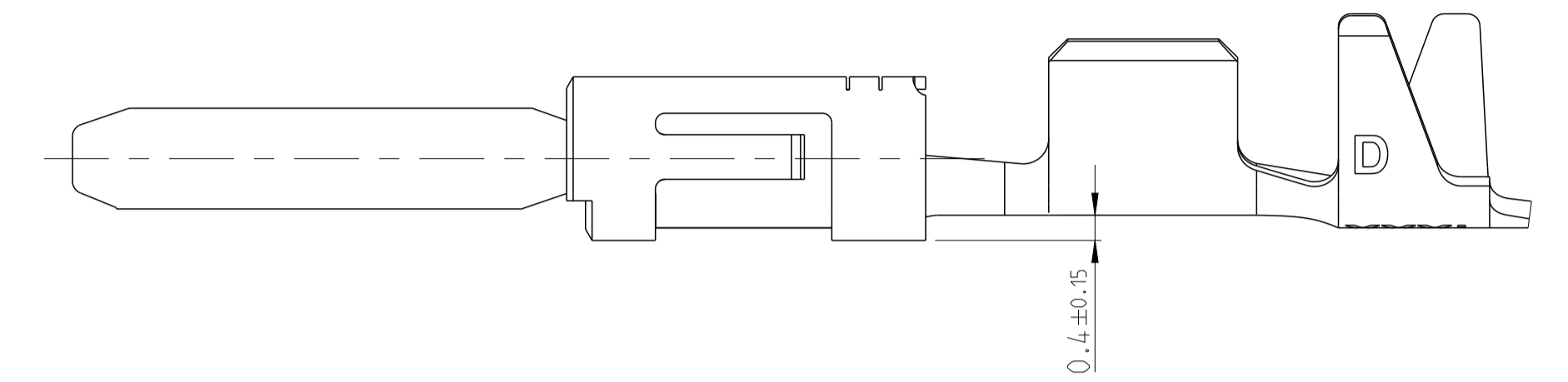


REVISONS		DATE	DMN	APVD
A12	Dash-variant 964267-4 added. ECR-11-020720	11OCT2011	Abt	Schus
A13	Clarification and data completion ECR-12-019304	14FEB2012	LF	VC
A14	Correct serrations in table ECR-13-008662	04JUN2013	LF	VC
A15	Gold variants - product improvement	07JAN2014	LF	VC

CONTACTS FOR FLR-CABLE
 Kontakte fuer FLR-Leitung

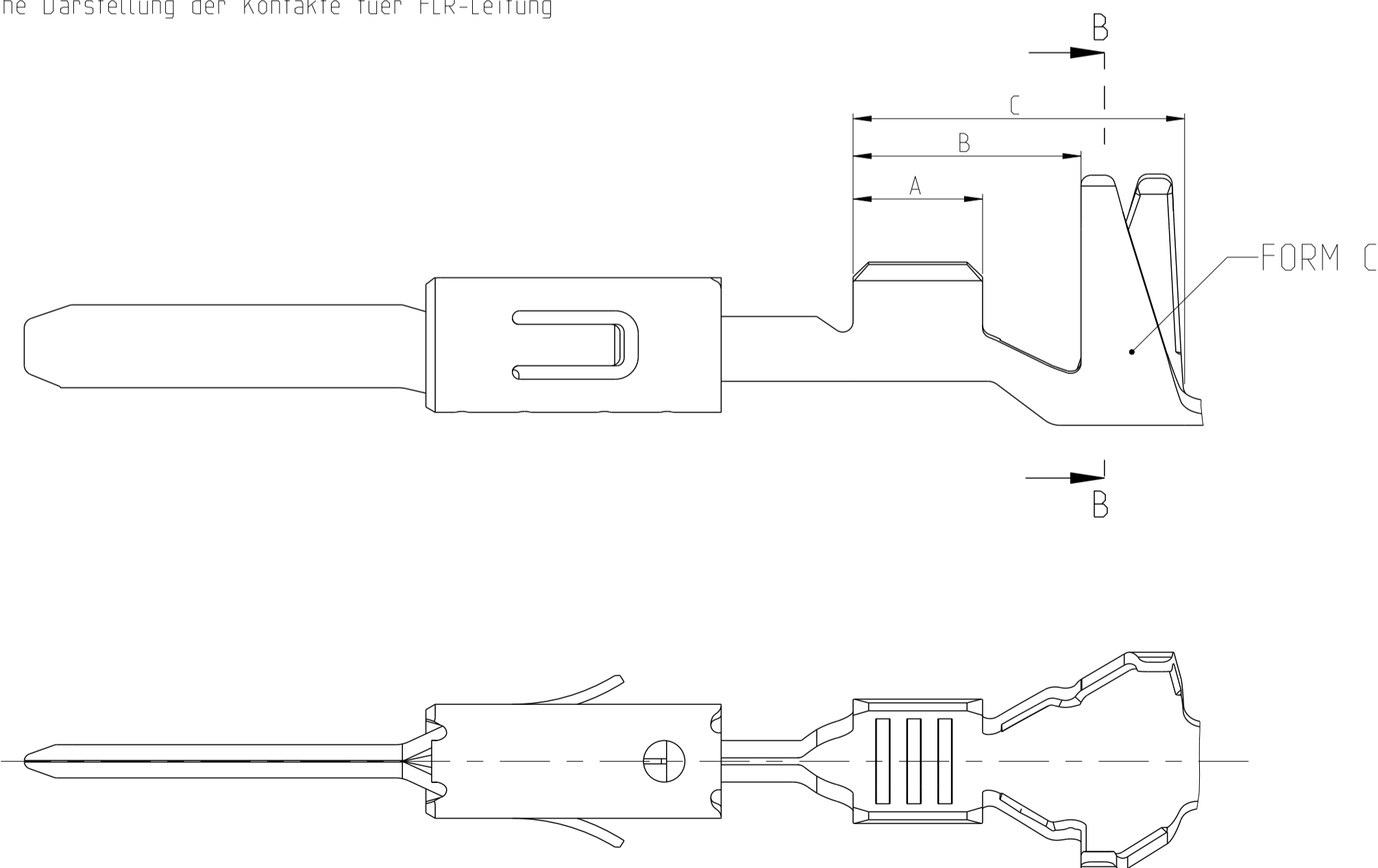


DESIGN 963898 / 963900 / 963904
 Ausfuehrung 963898 / 963900 / 963904

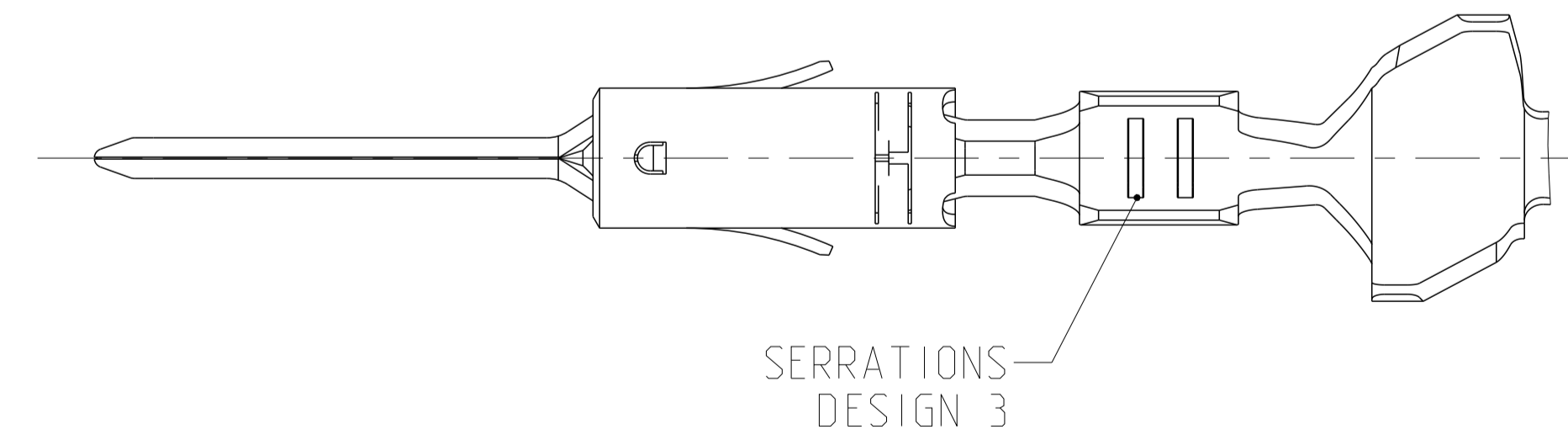
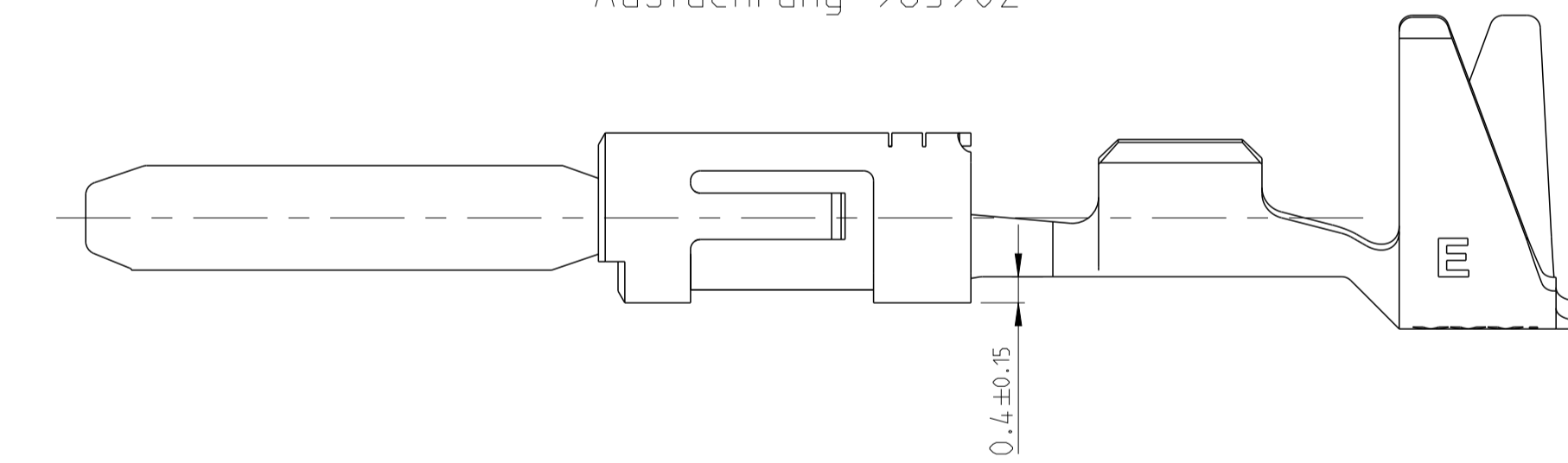


CONTACTS FOR SINGLE WIRE SEALING SYSTEM:
 FLR- AND FLK-CABLE
 Kontakte fuer Einzeldichtung-System:
 FLR- und FLK-Leitung

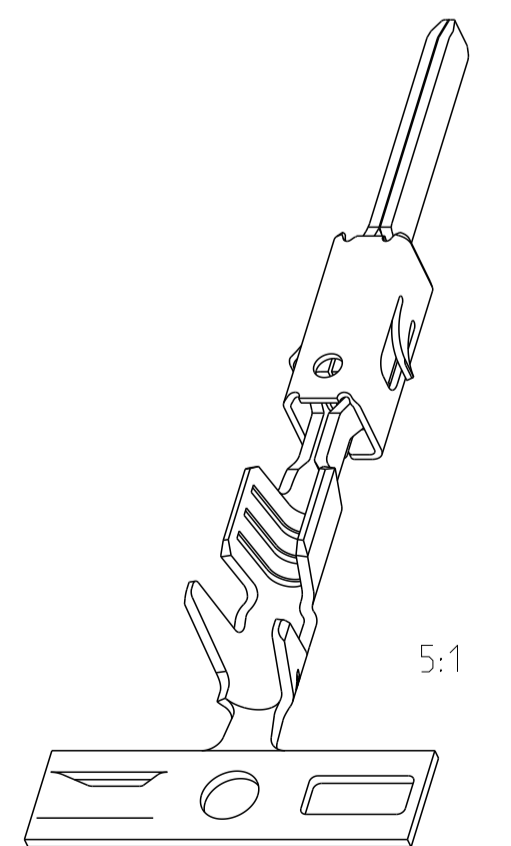
DIMENSIONS SEE FIGURE CONTACTS FOR FLR-CABLE
 Masse siehe Darstellung der Kontakte fuer FLR-Leitung



DESIGN 963902
 Ausfuehrung 963902



SERRATIONS
 DESIGN 3

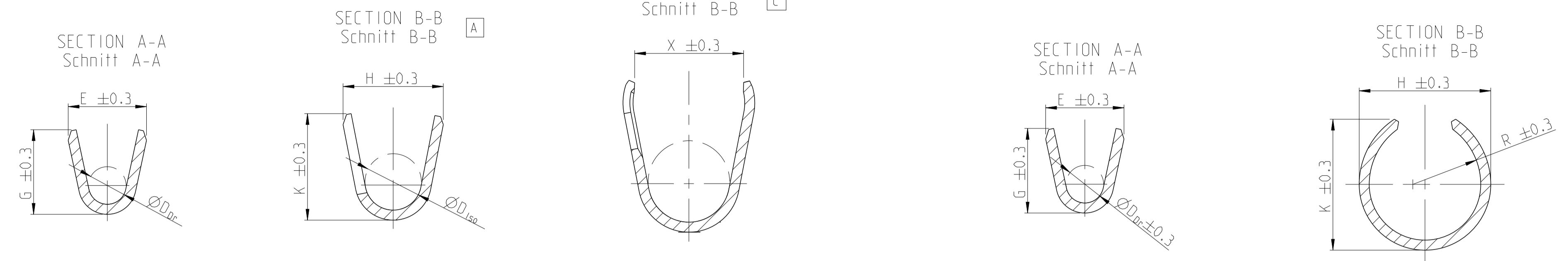


THIS DRAWING IS A CONTROLLED DOCUMENT.		DMN T.Bersch 11JUN1997	TE Connectivity	
DIMENSIONS: mm		CHK U.Muenk 11JUN1997	NAME PRODUCT GROUP DRAWING TAB 1.6 x 0.6 TYPE A Flachstecker 1.6 x 0.6 Typ A	
TOLERANCES UNLESS OTHERWISE SPECIFIED: 1-PLC ±0.2 2-PLC ±0.1 3-PLC ±0.1 ANGLES ±0.1		APVD M.Bleicher 02MAR2011	RESTRICTED TO	
MATERIAL SEE TABLE sheet 2 siehe Tabelle		FINISH SEE TABLE sheet 2 siehe Tabelle	108-18331 APPLICATION SPEC	SIZE A1
WEIGHT -		114-18082	CAGE CODE C=1355055	SHEET 1 OF 2
Customer Drawing		SCALE 10:1	DRAWING NO. 00779	REV A15

LOC	DIST	REVISIONS			
		NO.	DATE	BY	APPV
GT	-	1	11JUN1997	T.Bersch	
		2	02MAR2011	U.Muenk	
		3		M.Bleicher	

STRIP FORM
Bandware

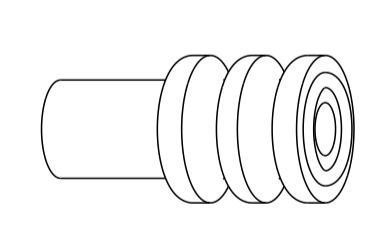
LOOSE PIECE
Einzelausfuehrung



- 1 CONTACT AREA SELECTIVE GOLD 0.8µm MIN. OVER NICKEL.
WIRE CRIMP AREA ELECTRO TIN PLATED 1µm MIN. OVER NICKEL
Kontaktzone selectiv vergoldet 0.8µm min. ueber Ni
Drahtcrimpbereich gal. verzinkt 1µm min. ueber Ni
- 2 FOR DOUBLE- AND SINGLE TERMINATION
fuer Doppel- und Einzelanschlaege
- 3 ACCORDING INSULATION-Ø IS TO CHOOSE THE SINGLE WIRE SEAL
Entsprechend dem Isolationsdurchmesser ist die Einzel-Dichtung auszuwaehlen
- 4 TIN PLATED
vorverzinkt
- 5 CONTACT AREA SELECTIVE SILVER 3µm MIN. OVER NICKEL.
WIRE CRIMP AREA ELECTRO TIN PLATED 1.5µm MIN. OVER NICKEL
Kontaktzone selectiv versilbert 3µm min. ueber Ni
Drahtcrimpbereich gal. verzinkt 1.5µm min. ueber Ni
- 6 DIFFERENT TOOL DETAILS
FUNCTION AND HANDLING WITH ALL DETAILS CONTINUOUSLY
SUPPLY AFTER AVAILABILITY
Verschiedene Werkzeugausfuehrungen
Funktion und Handhabung bei allen Ausfuehrungen gleich
Lieferung nach Verfuegbarkeit

TE ORDER-NO. STRIPFORM Bandware	REV	TE ORDER-NO. LOOSE PIECE Einzelaus- fuehrung	DESIGN SERRATIONS Ausfuehrung Serrations	MATERIAL Werkstoff	SURFACE Oberflaeche	DGB mm ²	INSULATION Isolations- Ø mm	SEE / siehe SECTION A-A Schnitt A-A	SEE / siehe SECTION B-B Schnitt B-B	SEE / siehe SECTION A-A Schnitt A-A	SEE / siehe SECTION B-B Schnitt B-B	A	B	C	X	TE ORDER-NO. EXTRACTION TOOL Ausdruck- werkzeug	CRIMP DATA AND CRIMP TOOL Crimpdata und Crimp- werkzeuge
								SEE / siehe SECTION A-A Schnitt A-A	SEE / siehe SECTION B-B Schnitt B-B	SEE / siehe SECTION A-A Schnitt A-A	SEE / siehe SECTION B-B Schnitt B-B						
1703278-5	A	1703279-5	1	CuSn4	5	1.5	2.2 - 2.4	E = 2.8 G = 3.0 D _{cr} = 1.4	H = 4.6 K = 4.9 D ₁₅₀ = 2.9	-	-	-	-	3.0	4.4	6.4	3.6
1703278-2	A	1703279-2	1	CuFe2	4												
964269-5	A	964270-5	1	CuSn4	5												
964269-3	E	964270-3	1	CuSn4	1	0.5 - 1.0	1.4 - 2.1	E = 2.5 G = 2.7 D _{cr} = 1.2	H = 4.3 K = 4.8 D ₁₅₀ = 2.7	E = 2.2 G = 2.8 D _{cr} = 1.2	H = 3.8 K = 4.5 R ₁₅₀ = 2.3	169400-0 539635-1	539612-1 539663-2	3.0	4.4	6.4	3.3
964269-2	D	964270-2	1	CuFe2	4												
963904-3	G	963905-3	1	CuSn4	1	0.5 - 1.0	1.4 - 2.1	E = 2.6 G = 2.8 D _{cr} = 1.2	H = 4.5 K = 4.8 D ₁₅₀ = 2.7	E = 2.2 G = 2.9 D _{cr} = 1.2	H = 3.6 K = 4.3 R ₁₅₀ = 1.7			3.0	4.6	7.0	-
963904-2	F	963905-2	1	CuFe2	4												
963904-1	F	963905-1	1	CuSn4	4												
2141884-5	A	-	2	CuSn4	5												
2141884-3	B	-	2	CuSn4	1	0.35	1.2 - 1.6	E = 2.4 G = 2.3 D _{cr} = 1.0	H = 4.3 K = 4.8 D ₁₅₀ = 2.6	-	-	-	-	2.5	4.4	6.4	3.3
2141884-2	A	-	2	CuFe2	4												
969028-5	A	969029-5	3	CuSn4	5												
969028-3	D	969029-3	3	CuSn4	1	0.2 - 0.5	1.2 - 1.6	E = 2.1 G = 2.1 D _{cr} = 0.8	H = 4.3 K = 4.8 D ₁₅₀ = 2.6	E = 1.7 G = 2.15 D _{cr} = 0.8	H = 3.6 K = 4.4 R ₁₅₀ = 2.1	169400-0 539635-1	539612-1 539663-2	2.5	4.4	6.4	3.3
969028-2	E	969029-2	3	CuFe2	4												
963902-3	E	963903-3	3	CuSn4	1	0.2 - 0.5	1.2 - 1.6	E = 2.1 G = 2.1 D _{cr} = 0.8	H = 4.5 K = 4.8 D ₁₅₀ = 2.7	E = 1.7 G = 2.1 D _{cr} = 0.8	H = 3.6 K = 4.3 R ₁₅₀ = 1.7			2.5	4.6	7.0	-
963902-2	D	963903-2	3	CuFe2	4												
963902-1	D	963903-1	3	CuSn4	4												
1241846-3	A	1241847-3	1	CuSn4	1	1.5	2.2 - 2.4	E = 2.8 G = 3.0 D _{cr} = 1.4	H = 3.5 K = 3.9 D ₁₅₀ = 1.9	E = 2.2 G = 3.0 D _{cr} = 1.4	H = 2.8 K = 3.9 R ₁₅₀ = 1.6	-	-	3.0	4.4	6.4	-
1241846-2	A	1241847-2	1	CuFe2	4												
1241846-1	A	1241847-1	1	CuSn4	4												
969079-3	B	969080-3	1	CuSn4	4	0.5 - 1.0	1.4 - 2.1	E = 2.5 G = 2.8 D _{cr} = 1.2	H = 3.7 K = 3.9 D ₁₅₀ = 1.8	E = 2.2 G = 2.8 D _{cr} = 1.2	H = 2.8 K = 3.9 R ₁₅₀ = 1.6	-	-	3.0	4.6	6.2	-
969079-2	B	969080-2	1	CuFe2	4												
964267-4	A	964268-4	1	CuSn4	5												
964267-3	D	964268-3	1	CuSn4	1	0.5 - 1.0	1.4 - 2.1	E = 2.5 G = 2.7 D _{cr} = 1.2	H = 3.2 K = 3.4 D ₁₅₀ = 1.8	E = 2.2 G = 2.8 D _{cr} = 1.2	H = 2.8 K = 3.0 R ₁₅₀ = 1.6	169400-0 539635-1	539612-1 539663-2	3.0	4.4	6.4	-
964267-2	C	964268-2	1	CuFe2	4												
964267-1	C	964268-1	1	CuSn4	4												
963900-4	E	963901-4	1	CuSn4	1	0.5 - 1.0	1.4 - 2.1	E = 2.6 G = 2.8 D _{cr} = 1.2	H = 3.2 K = 3.4 D ₁₅₀ = 1.8	E = 2.2 G = 2.9 D _{cr} = 1.2	H = 2.8 K = 3.0 R ₁₅₀ = 1.6			3.0	4.6	7.0	-
963900-3	E	963901-3	1	CuSn4	1												
963900-2	D	963901-2	1	CuFe2	4												
963900-1	D	963901-1	1	CuSn4	4												
963898-3	D	963899-3	3	CuSn4	1	0.2 - 0.5	1.15 - 1.6	E = 2.1 G = 2.1 D _{cr} = 0.8	H = 2.9 K = 2.9 D ₁₅₀ = 1.4	E = 1.7 G = 2.1 D _{cr} = 0.8	H = 2.5 K = 2.55 R ₁₅₀ = 1.4			2.5	4.6	7.0	-
963898-2	D	963899-2	3	CuFe2	4												
963898-1	D	963899-1	3	CuSn4	4												
2141882-3	B	-	2	CuSn4	1	0.35	1.15 - 1.6	E = 2.4 G = 2.3 D _{cr} = 1.0	H = 2.9 K = 2.9 D ₁₅₀ = 1.4	-	-	-	-	2.5	4.4	6.4	-
2141882-2	A	-	2	CuFe2	4												
964265-3	D	964266-3	3	CuSn4	1	0.2 - 0.35	1.15 - 1.6	E = 2.1 G = 2.1 D _{cr} = 0.8	H = 2.9 K = 2.9 D ₁₅₀ = 1.4	E = 1.7 G = 2.1 D _{cr} = 0.8	H = 2.5 K = 2.55 R ₁₅₀ = 1.4	169400-0 539635-1	539612-1 539663-2	2.5	4.4	6.4	-
964265-2	C	964266-2	3	CuFe2	4												

SEE APPLICATION SPECIFICATION
siehe Verarbeitungsspezifikation



SINGLE WIRE SEAL Einzel-Dichtung		
2112323-1	2.2 - 2.4	ORANGE orange
964972-1	1.9 - 2.1	YELLOW gelb
963530-1	1.4 - 1.9	GREY grau
964971-1	1.2 - 1.6	RED rot
ORDER-NO. Bestellnr.	INSULATION-Ø Isolations-Ø	COLOUR Farbe

THIS DRAWING IS A CONTROLLED DOCUMENT.

TE Connectivity

PRODUCT GROUP DRAWING
TAB 1.6 x 0.6 TYPE A
Flachstecker 1.6 x 0.6 Typ A

Customer Drawing

SCALE 10:1 SHEET 2 OF 2 REV. A15