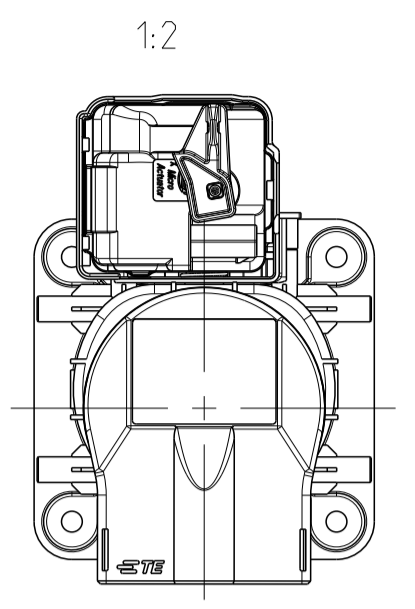


THE DRAWING SHOWS THE 2-DIMENSIONAL REFERENCE COMPONENT CONDITION OF THE ASSEMBLY TO IDENTIFY AND SPECIFY THE NECESSARY DIMENSIONS ONLY. THE DELIVERED PARTS MAY DEVIATE FROM THE DRAWING REGARDING THE ORIENTATION AND POSITION OF EACH COMPONENT (e.g. SLACK CABLE), SO FAR THE FUNCTIONALITY IS NOT CONCERNED.

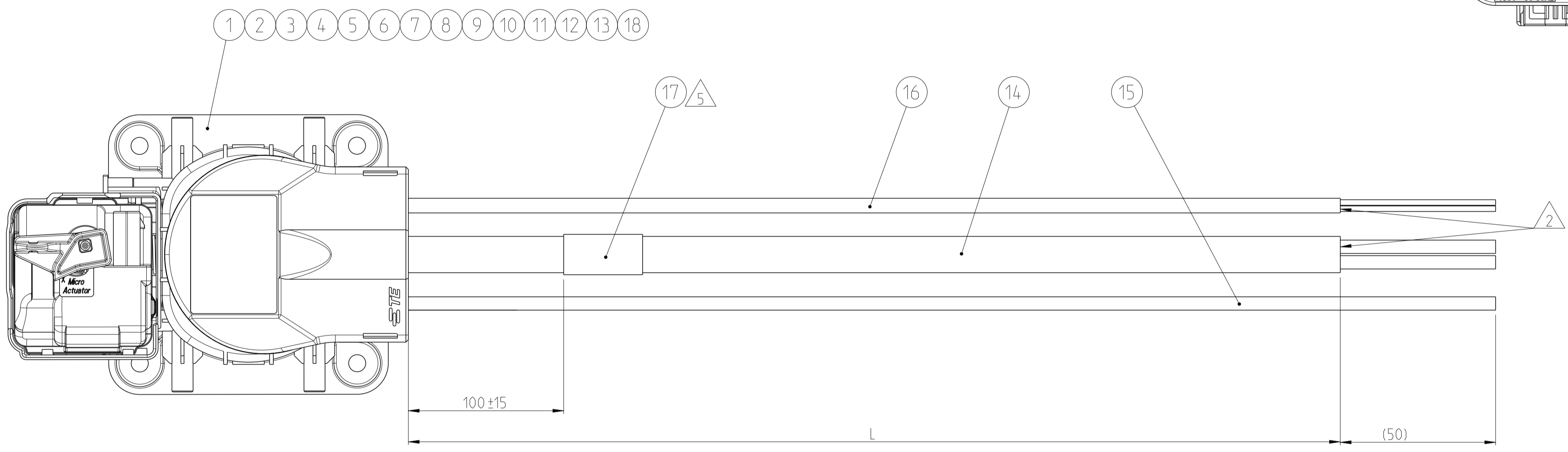
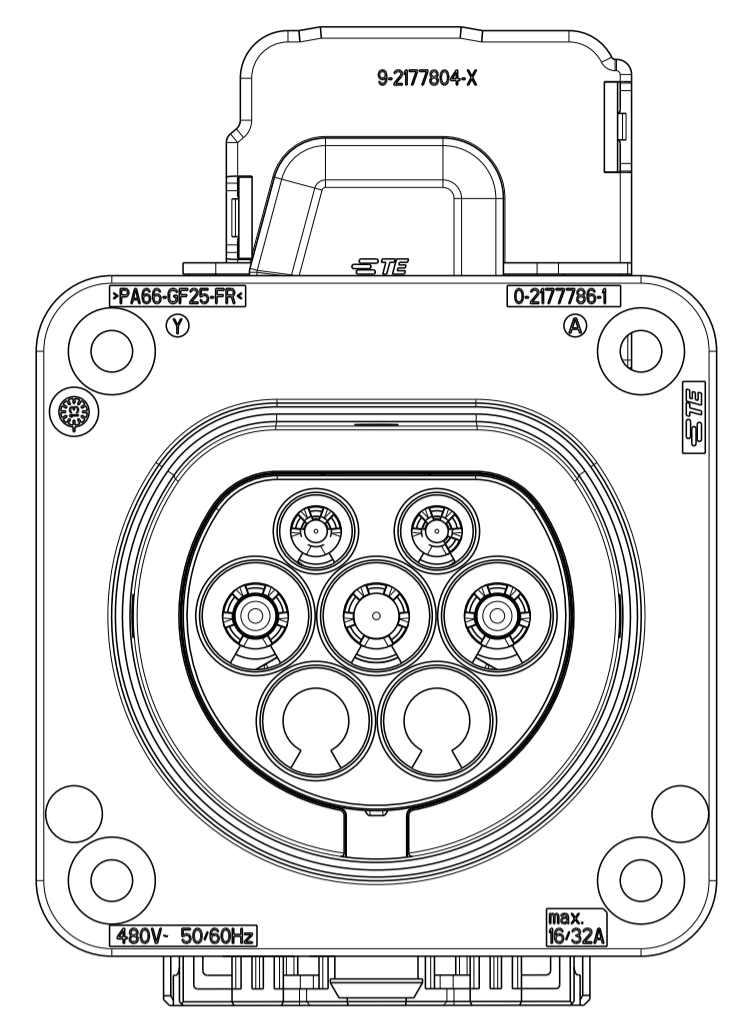
DIE ZEICHNUNG ZEIGT DEN 2-DIMENSIONALEN IDEALZUSTAND DES ZUSAMMENBAUTEILS BEZÜGLICH DER KOMPONENTEN ZUR IDENTIFIKATION UND SPEZIFIKATION DER NOTWENDIGEN DIMENSIONEN. HINSICHTLICH DER ORIENTIERUNG UND DER LAGE DER KOMPONENTEN (Z.B. BIEGESCHLAPFES KABEL) KÖNNEN DIE GELIEFERTEN TEILE VON DER ZEICHNUNG ABWEICHEN, SOFERN DIE FUNKTIONALITÄT NICHT BEEINTRÄCHTIGT IST.

REVISIONS				
P	LTN	DESCRIPTION	DATE	DMN APVD
E1		PACKAGING CHANGED	23JUN2016	DS JJ
F		COMPONENT (CABLE, 2 x 0.75 mm²) REVISED	19NOV2018	JM JJ
G		ITEM NO. 5 (INSULATION COVER) REVISED	01OCT2020	JM JJ

LOCKING UNIT POSITION UPPER  
CABLE OUTLET POSITION 3



INTERFACE VIEW  
Schnittstellen Ansicht



LENGTH SCHEDULE:  
Laengentabelle:

TE PART NO.	REV.	LENGTH L (mm)	TOL.	CABLE OUTLET POSITION
2-2208884-1	G	1000	+30	Position 3
2-2208884-5	G	5000	+60	

NOTES

- 1 PACKAGING ACCORDING SPECIFICATION V2208884.
- 2 STRIPPED ONLY OUTER JACKET AND BRAID. ELECTRICAL TESTING IS ACCORDING APPLICATION SPECIFICATION.
- 3 APPLICATION SPECIFICATION: 114-94163-2 CHARGE INLET IEC 62196-2 TYPE 11.
- 4 CUTTING LENGTHS TO BE FIXED BY MANUFACTURING.
- 5 MANUFACTURING CODE: TE PART NO., CURRENT REV. LEVEL AND DATE CODE (DD.MM.YY). TO BE PRINTED ON LABEL (ITEM 17). LABEL TO BE APPLIED TO THE CABLE AFTER SUCCESSFUL ELECTRICAL TEST.

WIRING SCHEDULE:  
Belegungsplan:

CAVITY-NO.	IDENTIFICATION	WIRE COLOUR	WIRE SECTION
1	L1	RED	6mm² (ITEM 14)
2	N	BROWN	6mm² (ITEM 14)
3	GROUND/EARTH	BROWN	6mm² (ITEM 15)
4	CP	BROWN/WHITE	0.75mm² (ITEM 16)
5	PP	WHITE	0.75mm² (ITEM 16)

LABEL LEGEND:  
Label Beschriftung:



TE PART NO., CURRENT REVISION  
TE Teilenummer, aktuelle Revision

PRODUCTION DATE  
Produktionsdatum

3	CAB TIE, CLIP, HELL, T18R-HR-N46	18
1	LABEL, HELL	17
SEE TABLE	CABLE, 2 x 0.75 mm², BLACK	16
SEE TABLE	CABLE, 6 mm², BROWN	15
SEE TABLE	CABLE 2 x 6.0 mm², BRAID	14
2	O-RING, 3 x 1.5	13
3	O-RING, 4 x 1.5	12
1	PIN DIA 3.0, PP	11
1	PIN DIA 3.0, CP	10
1	PIN DIA 6.0, PE	9
2	PIN DIA 6.0, L/N, ASSY	8
3	SELF TAPPING SCREW	7
2	FAMILY SEAL, MIXED, Vers.1	6
1	INSULATION COVER, TE, COVER INLET	5
1	CABLE FIXATION, TE, COVER INLET	4
1	ACTUATOR, LOCKING UNIT, ASSY	3
1	2. LOCK, TE, IEC62196-2 TYPE 2	2
1	5 POS. MIXED.HSG, IEC 62196-2 TYPE 2	1
QTY X-Y	DESCRIPTION	ITEM NO.
-	WEIGHT OF ASSY NO. (g)	-

DIMENSIONS:		TOLERANCES UNLESS OTHERWISE SPECIFIED:	
mm			
0 PLC	±		
1 PLC	±		
2 PLC	±		
3 PLC	±		
4 PLC	±		
ANGLES	±		
MATERIAL	-	FINISH	-

2- -X AS SHOWN  
wie dargestellt

**STC** TE Connectivity

NAME: HV, CHARGE INLET TYPE 2, HYB ASSY, 6 sqmm LOCKING UNIT POSITION UPPER

SIZE: A | CAGE CODE: 00779 | DRAWING NO: C=2208884

RESTRICTED TO CUSTOMER DRAWING

SCALE: 1:1 SHEET 1 OF 1 REV G