



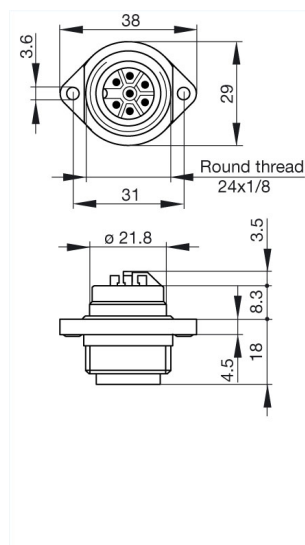
CA 6 GS

Industrial Connectors: Circular connectors CA series: Cable plug and panel-mounted connector

Product description

Description	Panel-mounted connector with flange
Type	CA 6 GS
Order No.	932 326-100
Number of contacts	6 + PE
Conductor size	max. 0.75 mm ²
Housing Color	black

Drawing



Technical data

Pin dimensions	1.5 mm
Rated voltage	250 V AC/DC
Rated current	10 A AC/DC
Contact resistance	≤ 5 mOhm
Type of termination	solder
Mounting	flange

Material

Contact surface material	Ag
Contact bearer material	PA 66-GF 25
Housing material	PA 66-GF 25
O-Ring	NBR

Environmental conditions

Protection class (IEC 60529)	IP 67
Pollution severity	3
Temperature range	-40 °C to +90 °C

Inflammability class

Flammability, UL standard	94 V-0
---------------------------	--------

Approvals

UL	UL
----	----

VDE	VDE
Packaging unit	
Packaging unit	100 pieces
Scope of delivery and accessories	
Scope of delivery	1 panel-mounted connector with sealing ring, in polyphene bag
Accessories to order separately	can be plugged into CA 6 LD; cap CA 00 SD 2, order no. 831 529-100