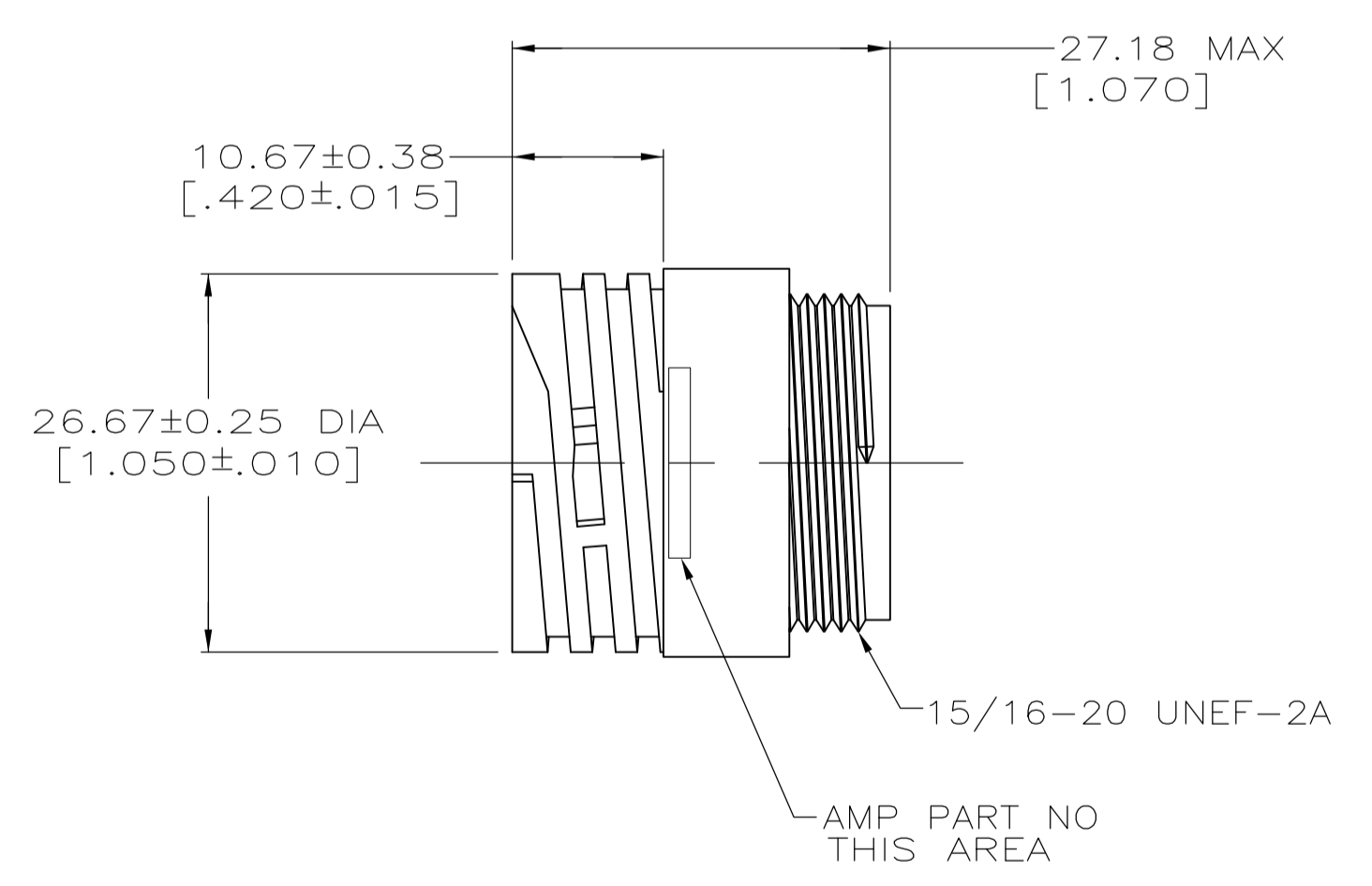
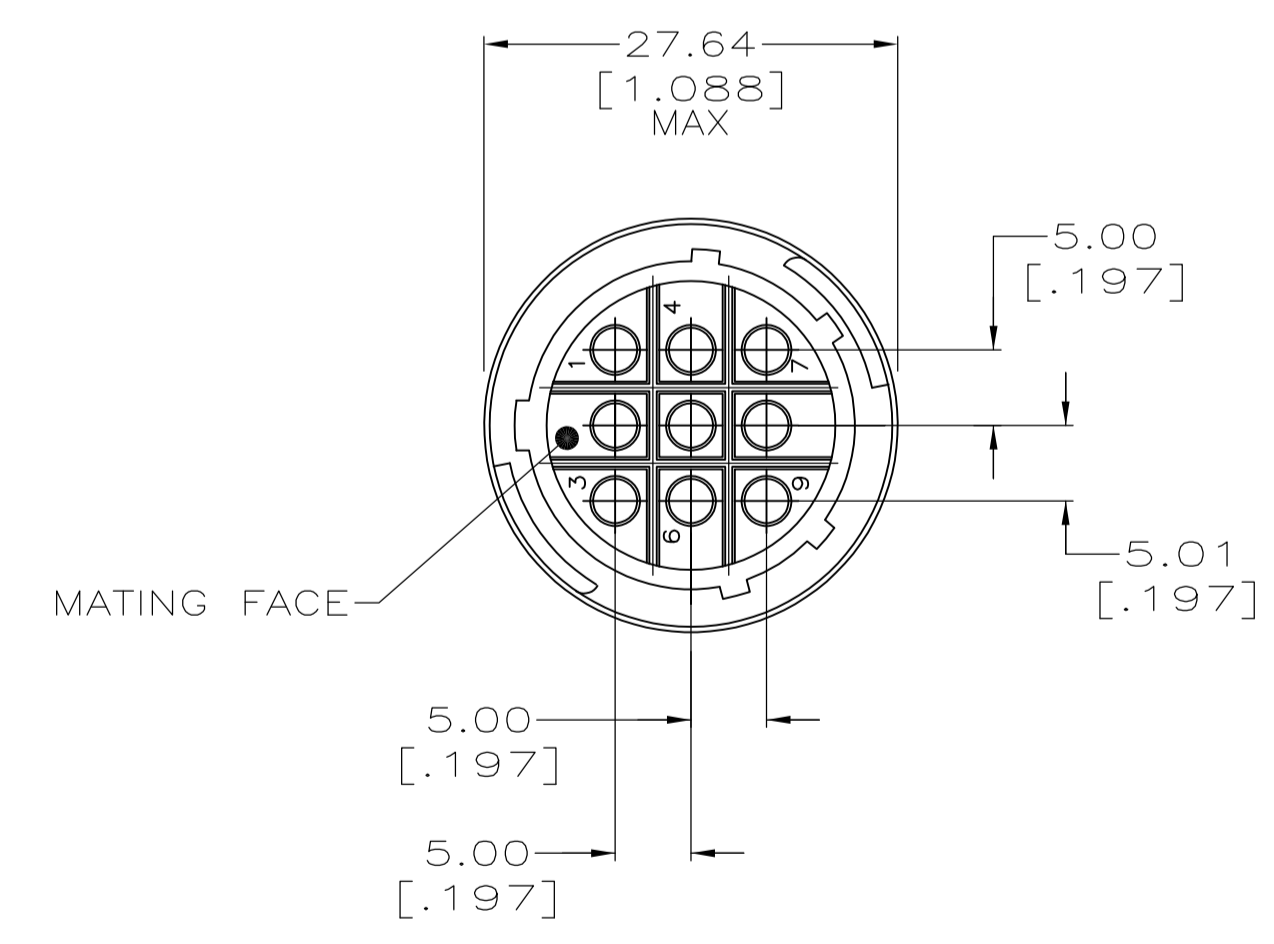


211769-1, -2, -4 & -5



211769-3

1. CAVITY IDENTIFICATION ON FRONT AND REAR FACE.
2. WILL ACCEPT NINE (9) MULTIMATE SOCKET CONTACTS.
3. 3.81[.150] MAXIMUM INSULATION DIAMETER.
4. 2.54[.100] MAXIMUM INSULATION DIAMETER.

| | | |
|------------------|--------------|-------------|
| YES | FLANGE | 211769-5 |
| NO | FLANGE | 211769-4 |
| NO | FREE HANGING | 211769-3 |
| NO | FLANGE | 211769-2 |
| NO | FLANGE | 211769-1 |
| THREADED INSERTS | MOUNTING | PART NUMBER |

THIS DRAWING IS A CONTROLLED DOCUMENT.

| | | | |
|-------------------------|--|--------------|-------------|
| DIMENSIONS: mm [INCHES] | TOLERANCES UNLESS OTHERWISE SPECIFIED: | DIN 09-24-94 | D. BROCKWAY |
| 0 PLC ± - | 1 PLC ± - | 09-30-94 | R. STONE |
| 2 PLC ± 0.13 [.005] | 3 PLC ± - | 10-03-94 | A. FRANTUM |
| 4 PLC ± - | ANGLES ± - | | |

RECEPTACLE HOUSING, REVERSE SEX, SHELL SIZE 17, CPC

SCALE 2:1 SHEET 1 OF 1 REV G1