

## Data sheet

231-644/019-000

**MALE CONNECTOR WITH FIXING FLANGE  
PIN SPACING 5.08 MM / 0.2 IN FOR SCREW OR SIMILAR MOUNTING TYPES CAGE  
CLAMP CONNECTION**



## Technical data

Package size 25 pieces.

Pin spacing from	5.08 mm
Pin spacing from	0.2 in
pole count	14
Cross section from [mm <sup>2</sup> ]	0.08 mm <sup>2</sup>
Cross section to [mm <sup>2</sup> ]	2.5 mm <sup>2</sup>
Cross section from [AWG]	28 AWG
Cross section to [AWG]	12 AWG
Voltage UL	300 V
Voltage CSA	300 V
Current UL	15 A
Current CSA	15 A
Measured voltage EN	250 V
Measured shock voltage	4 kV
Pollution degree	3
Current intensity EN	12 A
Weight	22.64 g
Color	orange
No. of connection Points	14
No. of potentials	14
Height	14.3 mm
Height	0.563 in
Width	85.92 mm
Width	3.383 in

---

**Data sheet****231-644/019-000****MALE CONNECTOR WITH FIXING FLANGE  
PIN SPACING 5.08 MM / 0.2 IN FOR SCREW OR SIMILAR MOUNTING TYPES CAGE  
CLAMP CONNECTION**

---

Depth	27.5 mm
Depth	1.083 in
Strip length from	8 mm
Strip length to	9 mm
Strip length	0.33 in

xxx-xxx/035-000

Strain relief plate 50 mm

---

**Data sheet**

231-644/019-000

**MALE CONNECTOR WITH FIXING FLANGE  
PIN SPACING 5.08 MM / 0.2 IN FOR SCREW OR SIMILAR MOUNTING TYPES CAGE  
CLAMP CONNECTION**

---

Approval	Voltage	Current	Approval number	Notes
BV	400	16	11915/A0	
CSA	300	15	154112-1465035	
CSA	300	15	18677-30	
DEMKO	250		88126	
KEMA	250	12	98.2486.01	
KR	250/400	12/16	HMB05880-EL003	
NEMKO	250		P94101840	
UL	600	15	E45171	
UL	300	15	E45172	
VDE	250	12	5675ÜGBI.2	

---

**Data sheet**

231-644/019-000

**MALE CONNECTOR WITH FIXING FLANGE  
PIN SPACING 5.08 MM / 0.2 IN FOR SCREW OR SIMILAR MOUNTING TYPES CAGE  
CLAMP CONNECTION**

---

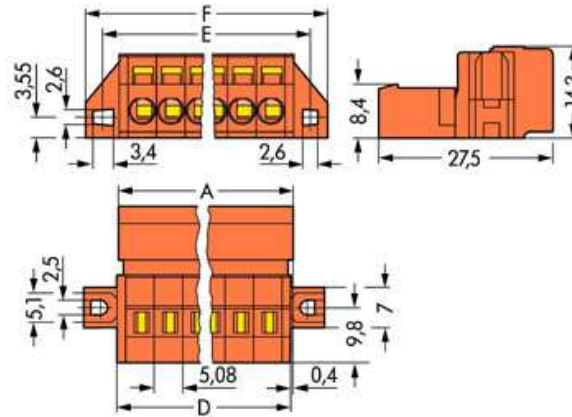
**Accessories****Item number**

CODING KEY FOR SNAP IN	231-129
COMB TYPE JUMPER BAR FOR PIN SPACING 5MM / 0.197 IN AND 5.08 MM / 0.2 IN	231-902
ISULATION STOP 0.08 - 0.2 MM <sup>2</sup> / 0.2 MM <sup>2</sup> S	231-670
ISULATION STOP 0.25 - 0.5 MM <sup>2</sup>	231-671
ISULATION STOP 0.75 - 1 MM <sup>2</sup>	231-672
LOCKOUT CAPS FOE COVERING UNUSED CLAMPING UNITS	231-669
OPERATING STICKER FOR MULTI CONNECTION SYSTEM	210-199
OPERATING TOOL FOR FEMALE AND MALE CONNECTORS WITH CAGE CLAMP	210-250
OPERATING TOOL TO CONNECT JUMPERS	209-132
PUSH BUTTON FOR FEMALE CONNECTORS AND MALE CONNECTORS	231-131
SCREWDRIVER 3.5 X 0.5 MM / 0.137 X 0.019IN	210-257
SCREWDRIVER 3.5 X 0.5 MM / 0.137 X 0.019IN	210-258
SCREWDRIVER Type 2, bar (3,5 x 0,5) mm	210-120
SCREWDRIVER WITH PARTIALLY INSULATED SHAFT Type 2, bar (3,5 x 0,5) mm	210-620
SELF-TAPPING SCREW	209-147
SPACER FOR FORMATION OF GROUPS	231-500

## Data sheet

231-644/019-000

**MALE CONNECTOR WITH FIXING FLANGE**  
**PIN SPACING 5.08 MM / 0.2 IN FOR SCREW OR SIMILAR MOUNTING TYPES CAGE**  
**CLAMP CONNECTION**



---

**Data sheet****231-644/019-000****MALE CONNECTOR WITH FIXING FLANGE  
PIN SPACING 5.08 MM / 0.2 IN FOR SCREW OR SIMILAR MOUNTING TYPES CAGE  
CLAMP CONNECTION**

---

 $A = (\text{No. of poles} \times \text{pin spacing}) + 3,2 \text{ mm}$  $D = A - 0,2 \text{ mm}$  $E = D + 5,8 \text{ mm}$  $F = D + 11,8 \text{ mm}$